

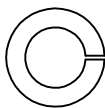
# ASSEMBLY INSTRUCTIONS ADELINA CHANGING STATION

## HARDWARE

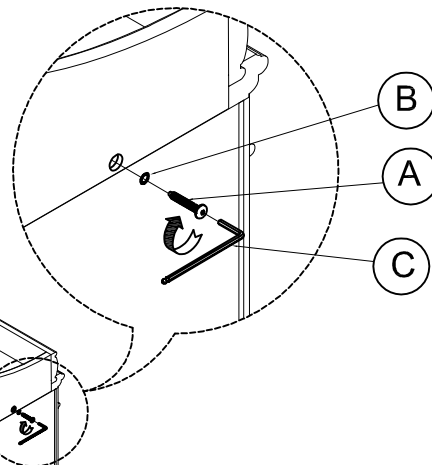
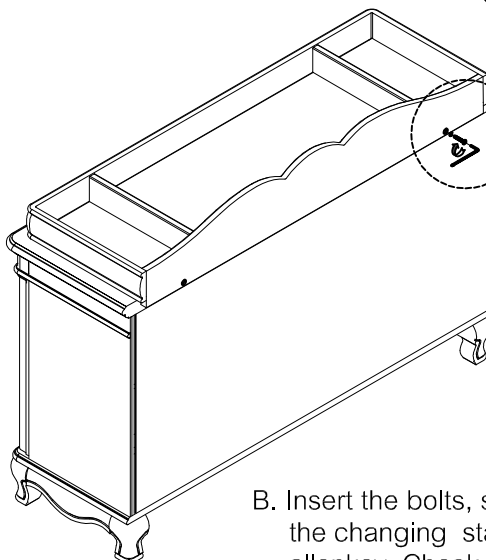
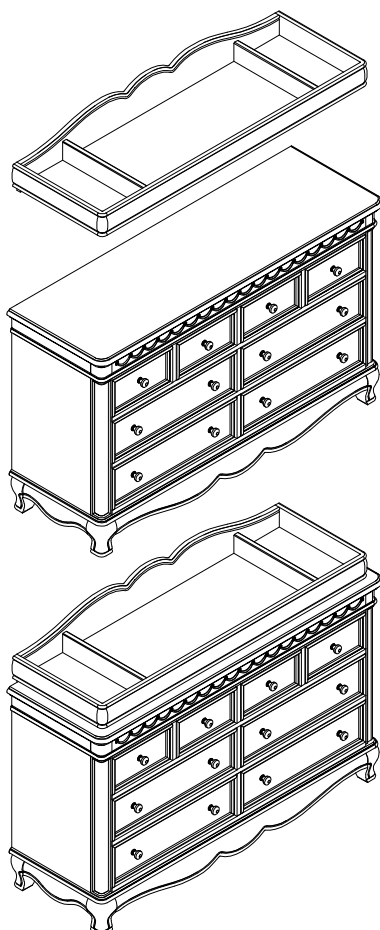
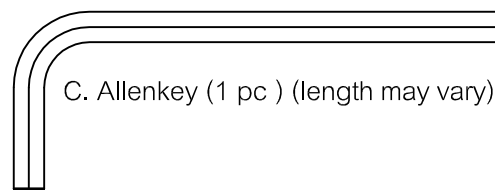
A. Allenbolt 1 1/2" [40 mm]  
(2 pcs)



B. Spring Washer (2 pcs)



C. Allenkey (1 pc) (length may vary)



B

A

C


B. Insert the bolts, spring washer into the back of the changing station and dresser, tighten with allenkey. Check to see that the Changing Station is secure.


A. Place the changing station on the top of the Dresser. The holes in back side should be below the Dresser top surface. (see diagram).



NOTE : SECURE THE CHANGING STATION ONLY TO  
ADELINA DRESSER MODEL #22808

**"THE PRODUCT IMAGES SHOWN ARE FOR ILLUSTRATION PURPOSES ONLY AND MAY NOT BE AN EXACT REPRESENTATION OF THE PRODUCT."**

 **“CAUTION: ANY PAD USED IN THIS CHANGING STATION MUST BE AT LEAST 16 INCHES BY 32 INCHES (41 CM X 81 CM) WITH A THICKNESS NOT EXCEEDING 1 INCH (2.54 CM).”**

 **WARNING!** FOR CHANGING STATION USE

- READ ALL INSTRUCTIONS BEFORE ASSEMBLING CHANGING STATION.

**KEEP INSTRUCTIONS FOR FUTURE USE.**

- FAILURE TO FOLLOW THESE WARNINGS AND THE ASSEMBLY INSTRUCTIONS COULD RESULT IN SERIOUS INJURY OR DEATH.
- **CAUTION** : THE PAD INTENDED FOR USE ON THE CHANGING STATION SHALL HAVE MINIMUM DIMENSIONS OF 16 INCHES BY 32 INCHES (41 CM X 81 CM) WITH A THICKNESS NOT EXCEEDING 1 INCH (2.54 CM).
- THE MAXIMUM WEIGHT SHALL NOT BE GREATER THAN 30 LB (13.6 KG).
- DO NOT USE CHANGING STATION IF IT IS DAMAGED OR BROKEN.
- PLEASE CLEAN THE CHANGING STATION WITH A DRY CLOTH AND USE MILD WOOD POLISH IF REQUIRED.

---

**FALL HAZARD:**

- TO PREVENT DEATH OR SERIOUS INJURY, ALWAYS KEEP CHILD WITHIN ARM'S REACH.
- ALWAYS SECURE THIS CHANGING STATION TO THE CHANGING SURFACE BY ATTACHING IT USING THE BOLTS PROVIDED. SEE INSTRUCTIONS.
- SECURE THE CHANGING STATION ONLY TO ADELINA DRESSER MODEL # 22808.