

ASSEMBLY INSTRUCTIONS FOR DRAWER REMOVAL AND REINSTALL FOR CASEGOODS

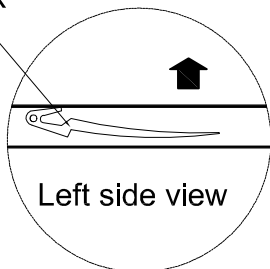
TO REMOVE DRAWER:

STEP 1 : EXTEND THE BOX DRAWER TO ITS FULL EXTENSION

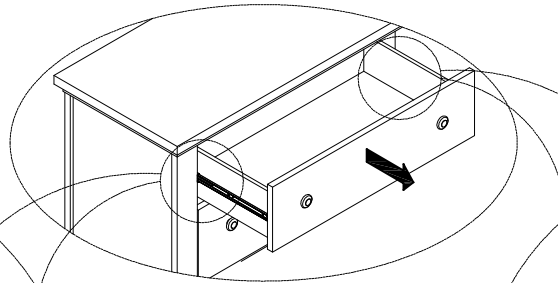
STEP 2 : LOCATE THE DRAWER SLIDE LOCK ON EACH SIDE OF THE DRAWER BOX.
PULL UP THE LOCK ON THE LEFT SIDE OF THE DRAWER BOX AND PUSH DOWN THE LOCK ON THE RIGHT SIDE OF THE DRAWER BOX IN THE SAME TIME AND PULL DRAWER STRAIGHT OUT UNTIL SLIDE DRAWER MEMBERS DISENGAGE FROM CABINET MEMBERS.

STEP 3 : REMOVE THE DRAWER

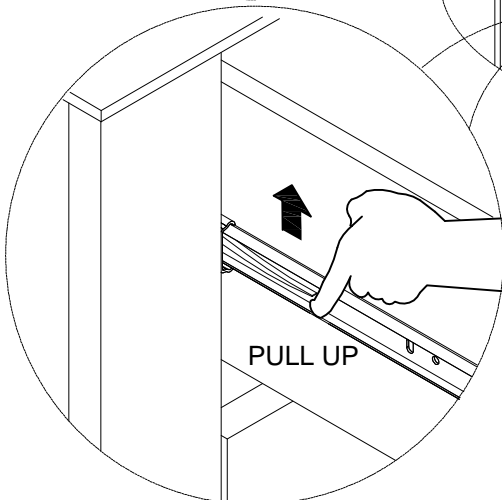
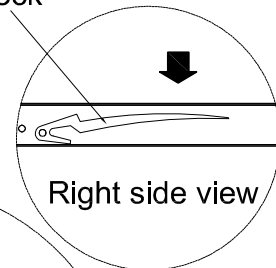
Lock



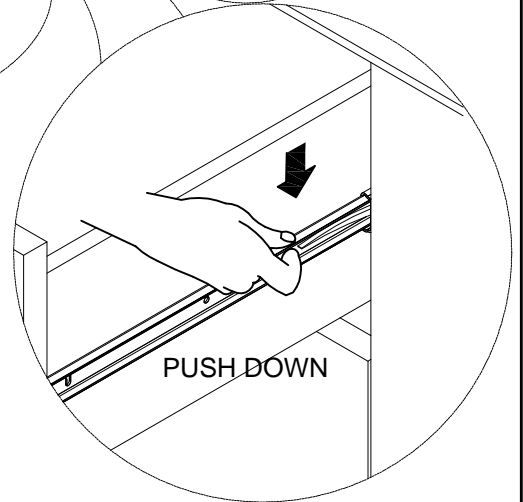
STEP 1



Lock

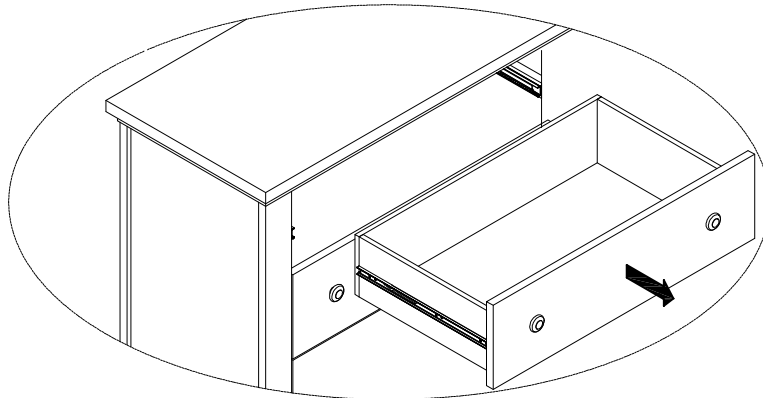


STEP 2



STEP 2

STEP 3



TO REINSTALL DRAWER :

MAKE SURE THE DRAWER WILL BE RE-INSTALL TO ITS ORIGINAL POSITION

STEP 1 : INSERT DRAWER BY PULLING TRACK ON THE LEFT AND RIGHT CABINET MEMBERS ALL THE WAY FORWARD (INCLUDING BALL BEARING RACK)

STEP 2 : ALIGN TRACKS ON DRAWER WITH SLIDERS AND PUSH IN THE DRAWER UNTIL THERE IS AUDIBLE "CLICK" SOUND

STEP 3 : CHECK FOR PROPER ALIGNMENT BY INSPECTING DRAWER FRONT MARGINS FOR SPACING AND SQUARENESS.

OPEN AND CLOSE SLOWLY SEVERAL TIMES TO ENSURE THE PROPER INSTALLMENT.

IF THERE IS ANY UNEVEN, PLEASE REPEAT STEP OF REMOVAL AND REINSTALL THE DRAWER

