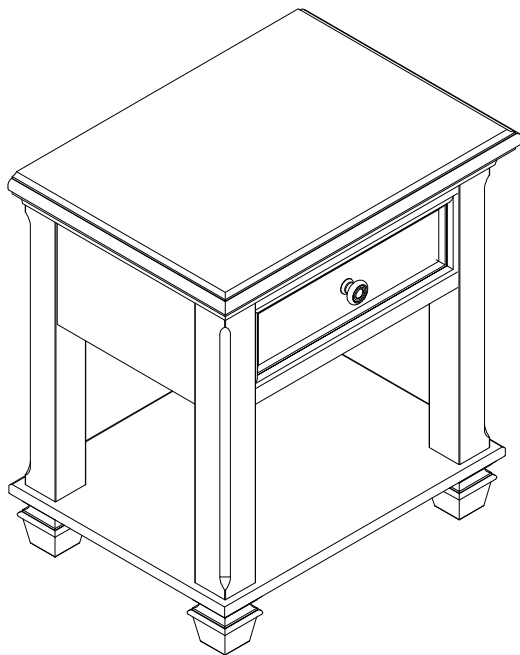


**ASSEMBLY INSTRUCTIONS**  
for Nightstand  
**GLENDALE**  
Model # 23502

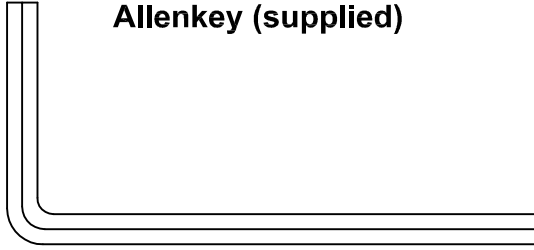


**"THE PRODUCT IMAGES SHOWN ARE FOR ILLUSTRATION PURPOSES ONLY AND MAY NOT BE AN EXACT REPRESENTATION OF THE PRODUCT."**

Carefully remove and lay out all parts. Familiarize yourself with all exhibits and diagrams to facilitate the assembly of your Nightstand

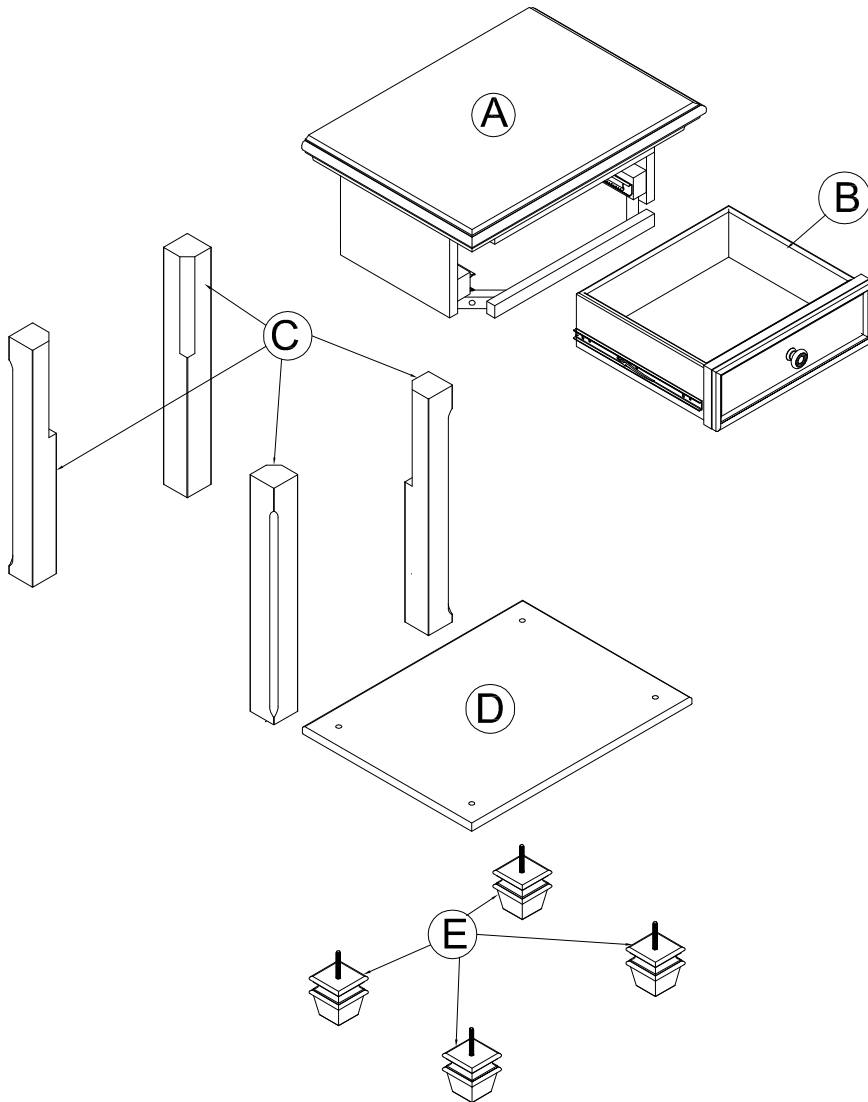
**TOOLS REQUIRED :**

Allenkey (supplied)



**PART ENCLOSED IN CARTON**

- |               |       |
|---------------|-------|
| A. Top Unit   | 1 pc  |
| B. Drawer Box | 1 pc  |
| C. Leg        | 4 pcs |
| D. Shelf      | 1 pc  |
| E. Bun Foot   | 4 pcs |

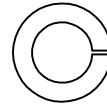


## HARDWARE

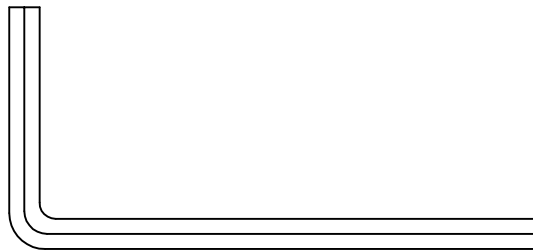
K. Allen Bolt 2" (50 mm) (8 pcs)



W. Spring Washer (8 pcs.)



N. Allen Key (1 pc) (Length may vary)



Make sure the bolts are tightly locked against the washers during assembly.  
(Please add an extra  $\frac{1}{2}$  revolution to all the bolts when using spring washer after tightening)

# STEP 1 " DRAWER REMOVAL"

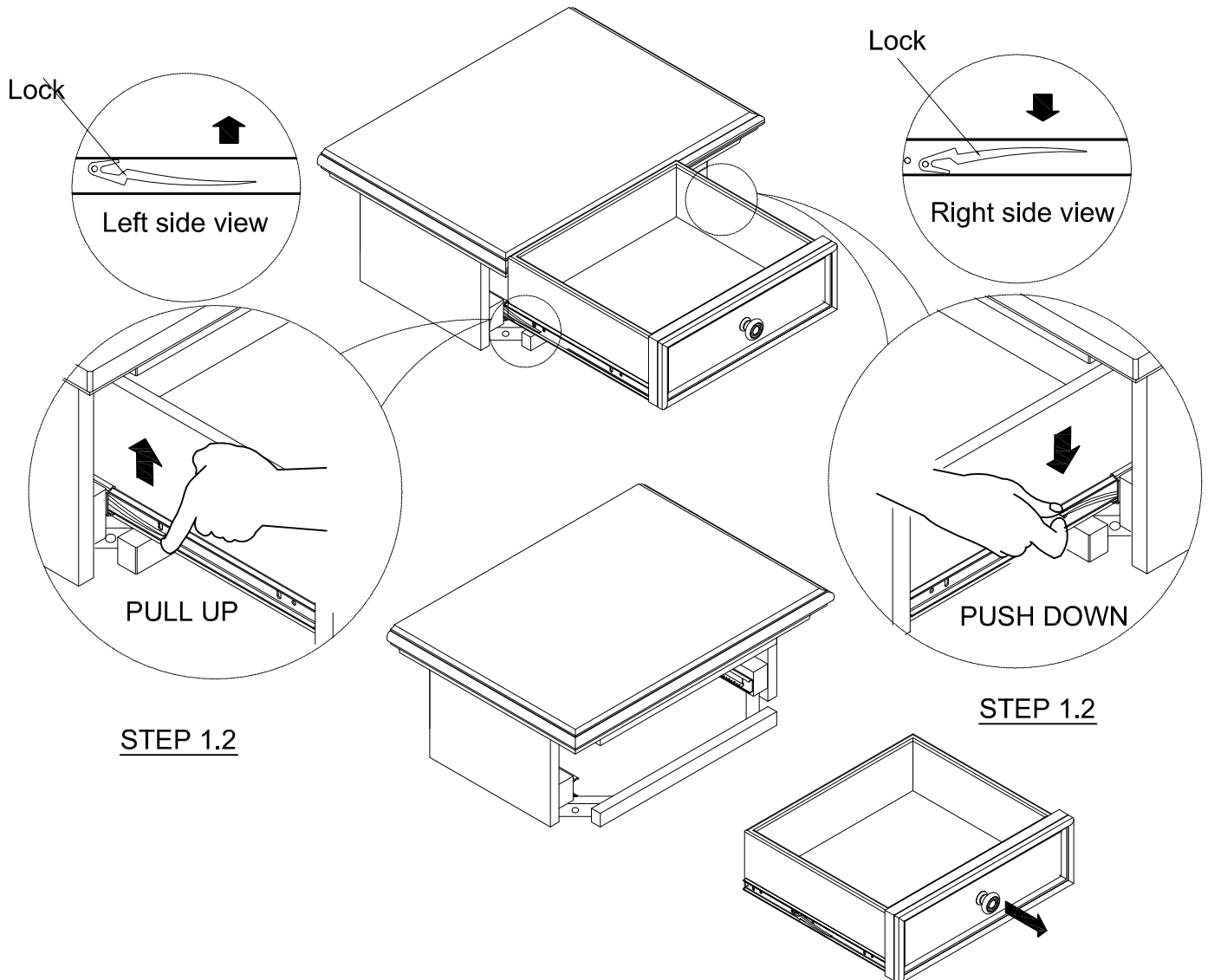
TO REMOVE DRAWER :

STEP 1.1 : EXTEND THE BOX DRAWER TO ITS FULL EXTENSION

STEP 1.2 : LOCATE THE DRAWER SLIDE LOCK ON EACH SIDE OF THE DRAWER BOX. PULL UP THE LOCK ON THE LEFT SIDE OF THE DRAWER BOX AND PUSH DOWN THE LOCK ON THE RIGHT SIDE OF THE DRAWER BOX IN THE SAME TIME AND PULL THE DRAWER STRAIGHT OUT UNTIL SLIDE DRAWER MEMBERS DISENGAGE FROM CABINET MEMBERS.

STEP 1.3 : REMOVE THE DRAWER.

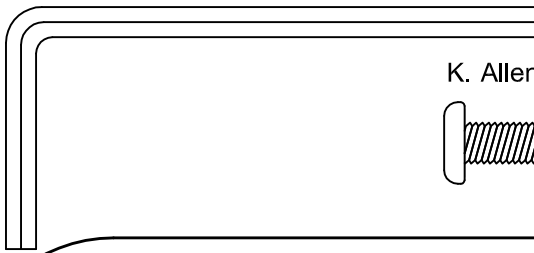
## STEP 1.1



## STEP 2 " ASSEMBLY OF LEG "

### THIS STEP REQUIRES :

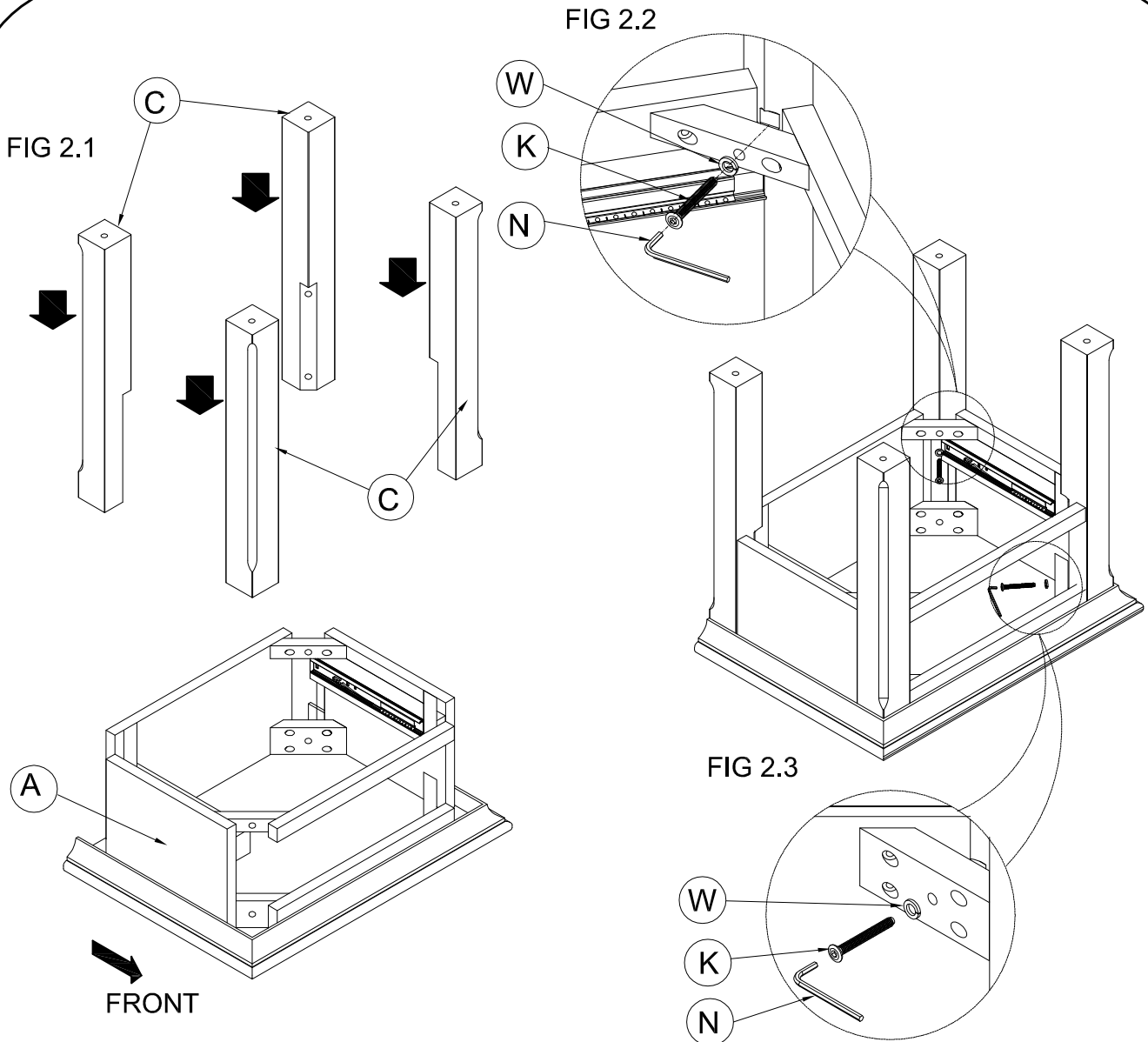
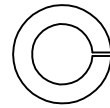
- A. Top Unit (1 pc)
- C. Leg (4 pcs)
- N. Allen Key (1 pc)



K. Allen Bolt 2" (50 mm) (8 pcs)



W. Spring Washer (8 pcs.)



- Place the legs into its appropriate position as shown in FIG.2.1.
- Insert the 8 (eight) Allen bolts 2" (50 mm) (K) and spring washers (W) first through the holes in the corner blocks, then into the threaded inserts in the legs, as shown in FIG.2.2 & FIG.2.3. Tighten all bolts with the Allen Key (N).

## STEP 3 " ASSEMBLY OF SHELF AND BUN FOOT "

### THIS STEP REQUIRES :

- D.Shelf (1 pc)
- E.Bun foot (4 pcs)

FIG. 3.1

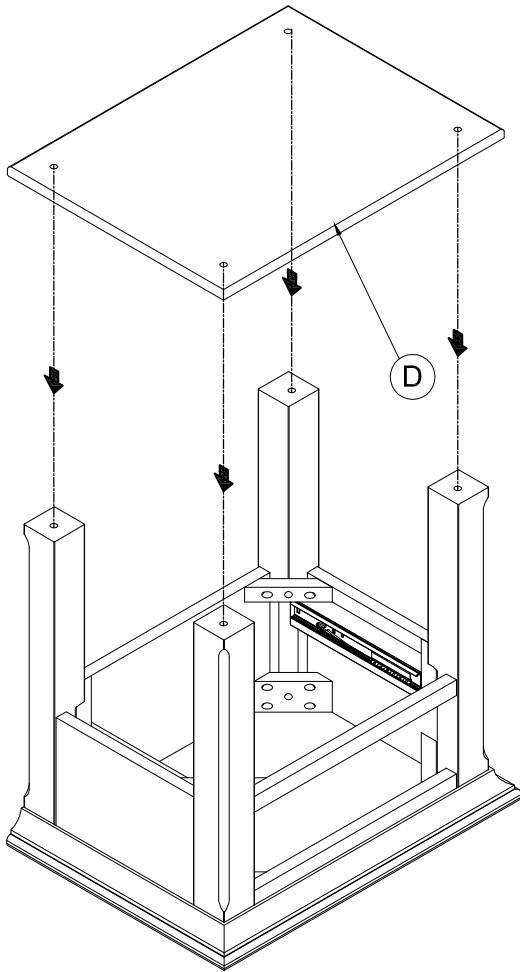
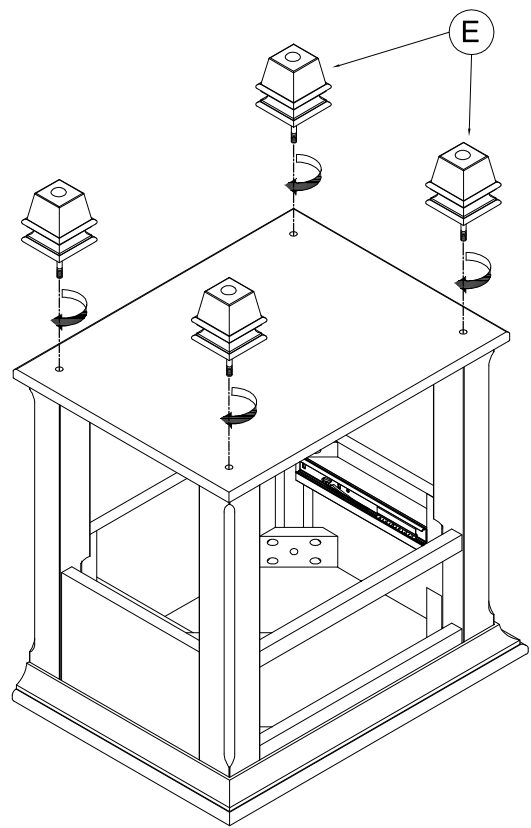


FIG. 3.2



- Place the shelf (D) into its appropriate position as shown in FIG.3.1.
- Insert the 4 (four) bunfoot (E) first through the holes in the shelf (D), then into the threaded inserts in the legs, as shown in FIG. 3.2.
- Turn the bun foot clockwise for tighten.

## STEP 4 " REINSTALL DRAWER"

### THIS STEP REQUIRES :

B.Drawer Box (1 pc)

MAKE SURE THE DRAWER WILL BE RE-INSTALL TO ITS ORIGINAL POSITION.

STEP 4.1 : INSERT DRAWER BY PULLING TRACK ON THE LEFT AND RIGHT CABINET MEMBERS ALL THE WAY FORWARD ( INCLUDING BALL BEARING RACK ).

STEP 4.2 : ALIGN TRACKS ON DRAWER WITH SLIDERS AND PUSH IN THE DRAWER UNTIL THERE IS AUDIBLE "CLICK" SOUND.

STEP 4.3 : CHECK FOR PROPER ALIGNMENT BY INSPECTING DRAWER FRONT MARGINS FOR SPACING AND SQUARENESS.  
OPEN AND CLOSE SLOWLY SEVERAL TIMES TO ENSURE THE PROPER INSTALLMENT.

IF THERE IS ANY UNEVEN, PLEASE REPEAT STEP OF REMOVAL AND REINSTALL THE DRAWER.

