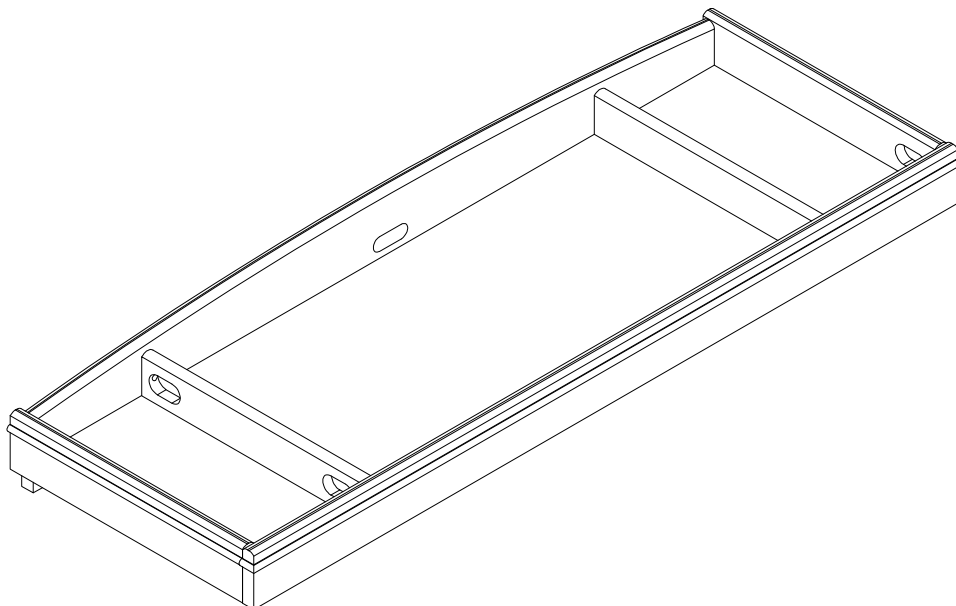


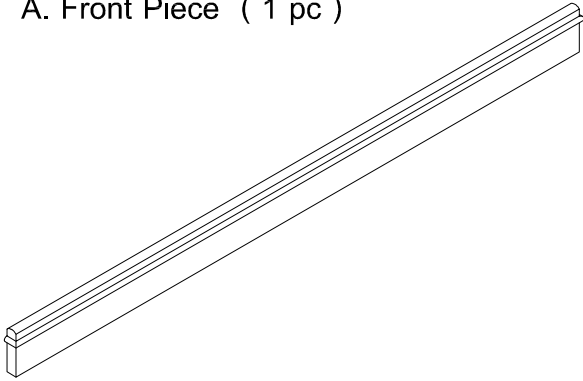
ASSEMBLY INSTRUCTIONS
for Changing Station
HAVEN HILL



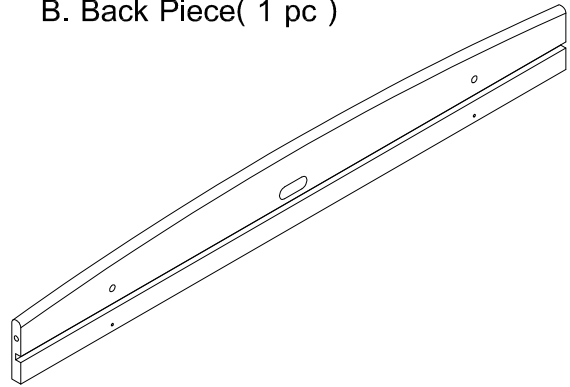
Carefully remove and lay out all parts. Familiarize yourself with all exhibits and diagrams to facilitate the assembly of your changing station

PART ENCLOSED IN CARTON

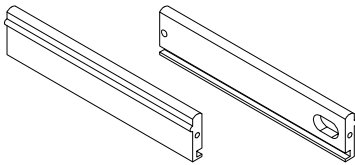
A. Front Piece (1 pc)



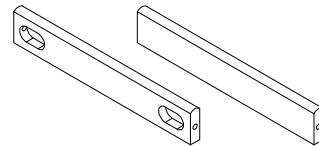
B. Back Piece (1 pc)



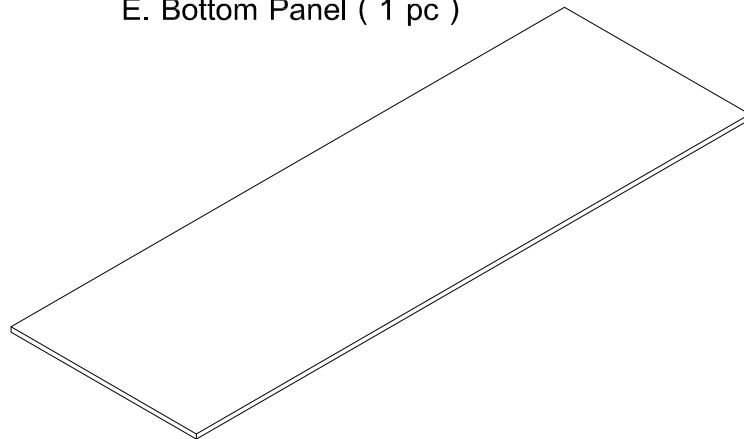
C. Side Piece L - R (2 pcs)



D. Divider (2 pcs)



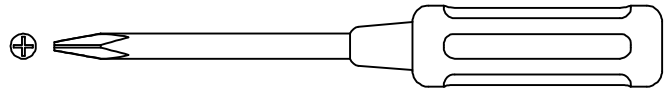
E. Bottom Panel (1 pc)



TOOLS REQUIRED :

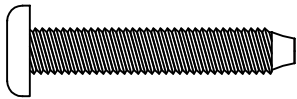
Allenkey (supplied)

Screw Driver (Unsupplied)

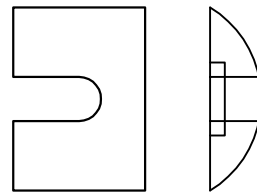


HARDWARE

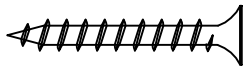
P. Allen Bolt 1 3/8" (35 mm) (8 pcs)



R. Curved Rectangular Plastic Washer (8 pcs)



T. Screw 1 1/4" (32 mm) (2 pcs)



L. Allen Key (1 pc)
(length may vary)



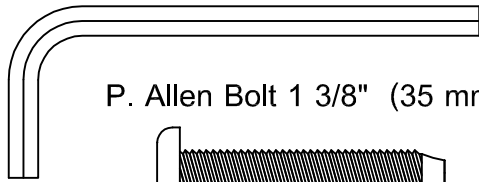
Make sure the bolts are tightly locked against the washers during assembly.
(Please add an extra 1/2 revolution to all the bolts when using spring washer after tightening)

STEP 1 " ASSEMBLY OF CHANGING STATION "

THIS STEP REQUIRES :

- A. Front Piece (1 pc)
- B. Back Piece (1 pc)
- C. Side Piece L - R (2 pcs)
- E. Bottom Panel (1 pc)
- L. Allen Key (1 pc)

R. Curved Rectangular Plastic Washer (4 pcs)



P. Allen Bolt 1 3/8" (35 mm) (4 pcs)

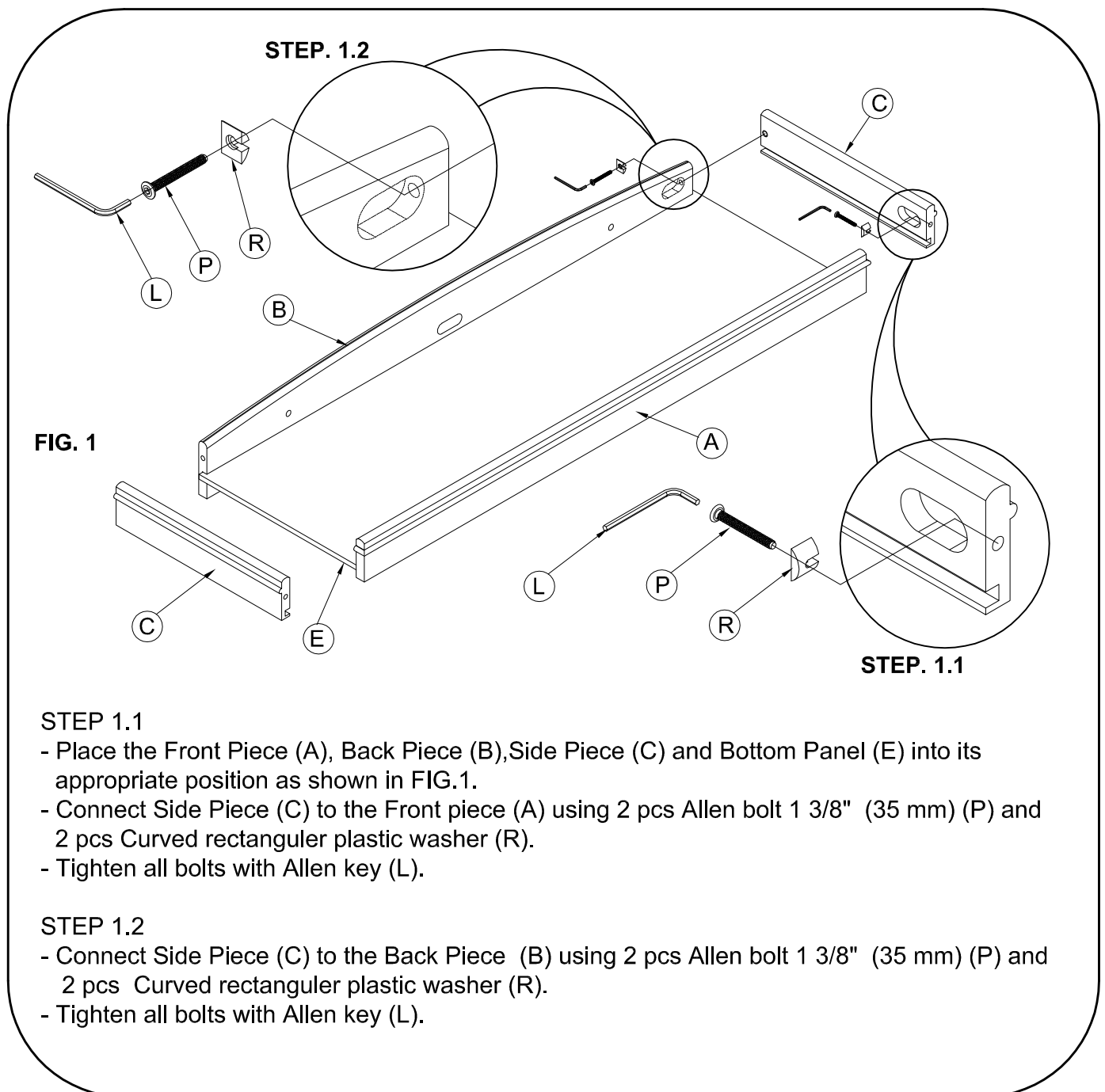
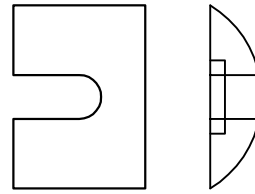


FIG. 1

STEP. 1.2

STEP. 1.1

STEP 1.1

- Place the Front Piece (A), Back Piece (B), Side Piece (C) and Bottom Panel (E) into its appropriate position as shown in FIG.1.
- Connect Side Piece (C) to the Front piece (A) using 2 pcs Allen bolt 1 3/8" (35 mm) (P) and 2 pcs Curved rectangular plastic washer (R).
- Tighten all bolts with Allen key (L).

STEP 1.2

- Connect Side Piece (C) to the Back Piece (B) using 2 pcs Allen bolt 1 3/8" (35 mm) (P) and 2 pcs Curved rectangular plastic washer (R).
- Tighten all bolts with Allen key (L).

STEP 2 " ASSEMBLY OF DIVIDER "

THIS STEP REQUIRES :

D. Divider (2 pcs)

R. Curved Rectangular Plastic Washer (4 pcs)

L. Allen Key (1 pc)

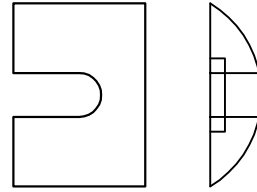
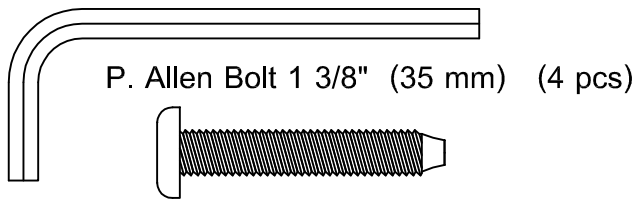
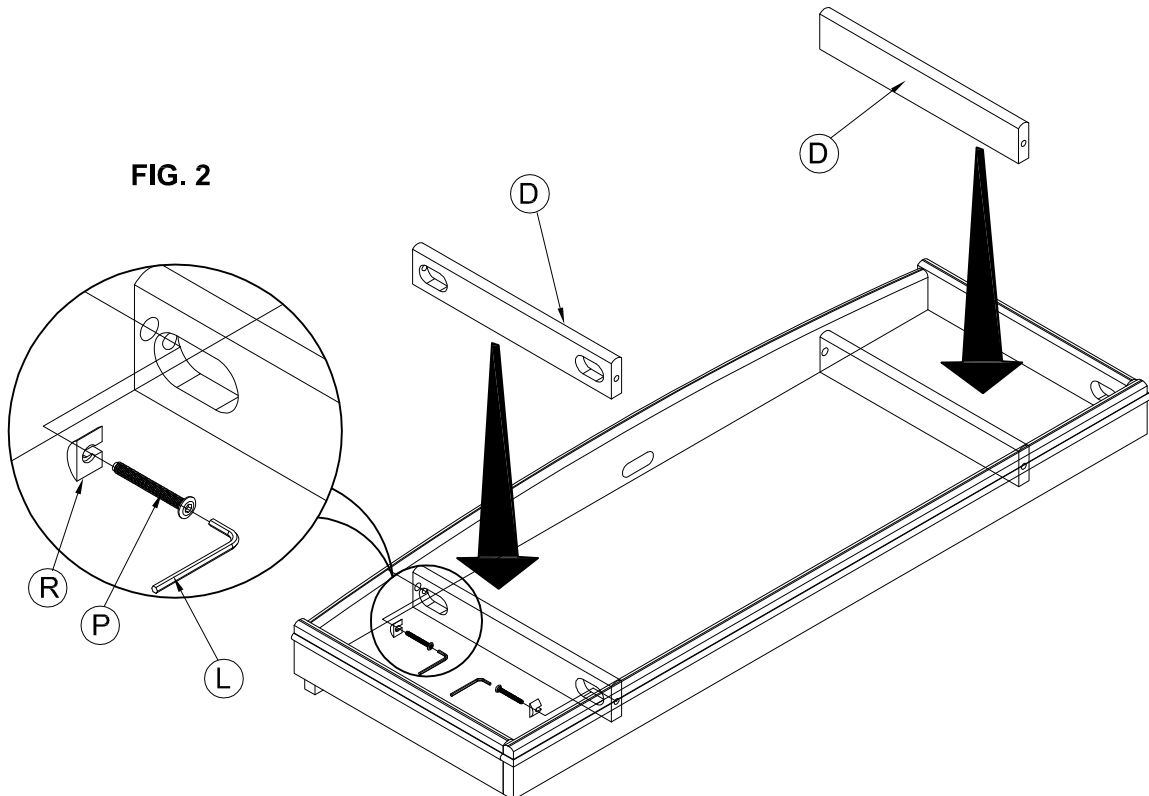


FIG. 2



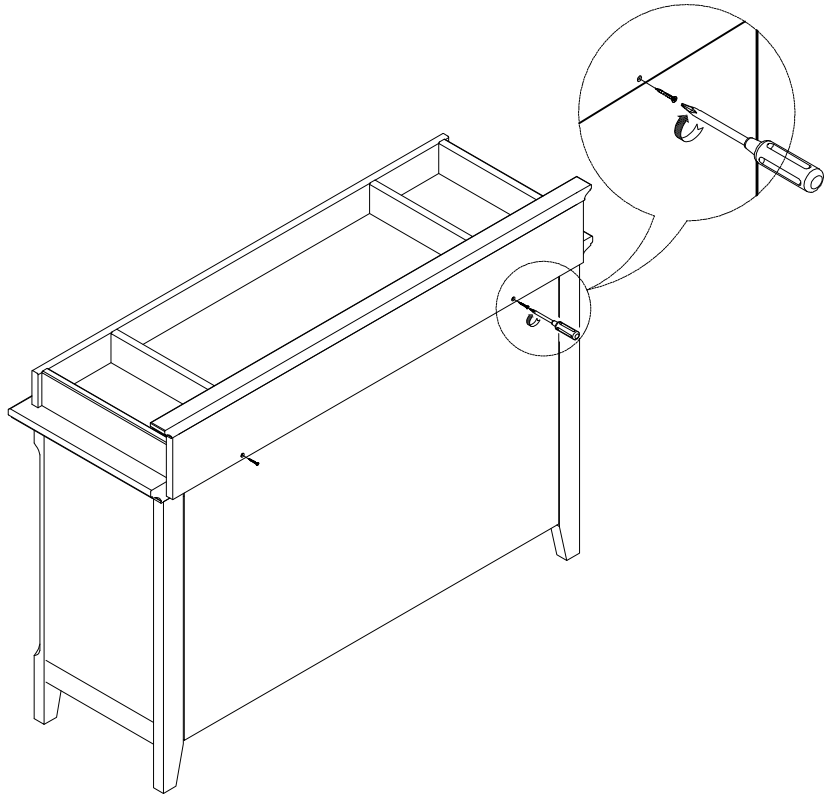
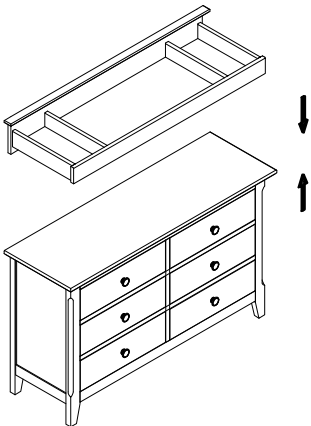
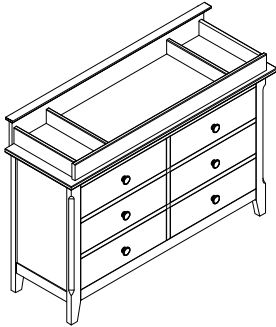
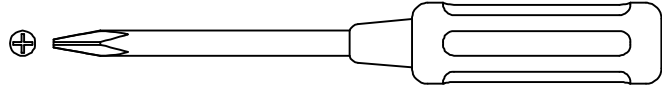
- Place the divider (D) into its appropriate position as shown in FIG.2.
- Connect divider (D) to the Front Piece (A) and Back Piece (B) using 4 pcs Allen bolt 1 3/8" (35 mm) (P) and 4 pcs Curved rectangular plastic washer (R).
- Tighten all bolts with Allen key (L).

STEP 3 " CHANGING STATION INSTALLATION "

THIS STEP REQUIRES :

T. Screw 1 1/4" (32 mm) (2 pcs)


Screw Driver (Unsupplied)




A. Place the changing station on the top of the Combo or Dresser. The holes in back side should be below the Combo or Dresser top surface. (see diagram).

B. Insert the screws into the back of the changing station and combo or dresser, tighten with Phillip Head Screw driver. Check to see that the Changing Station is secure.

NOTE : - ATTACH CHANGING STATION TO COMBO OR DRESSER.
- CHANGING STATION OR COMBO OR DRESSER MIGHT BE DIFFERENT THAN THE PICTURE

 **“CAUTION: ANY PAD USED IN THIS CHANGING STATION MUST BE AT LEAST 16 INCHES BY 32 INCHES (41 CM X 81 CM) WITH A THICKNESS NOT EXCEEDING 1 INCH (2.54 CM).**

 **WARNING!** FOR CHANGING STATION USE

- READ ALL INSTRUCTIONS BEFORE ASSEMBLING CHANGING STATION.

KEEP INSTRUCTIONS FOR FUTURE USE.

- FAILURE TO FOLLOW THESE WARNINGS AND THE ASSEMBLY INSTRUCTIONS COULD RESULT IN SERIOUS INJURY OR DEATH.
- **CAUTION** : THE PAD INTENDED FOR USE ON THE CHANGING STATION SHALL HAVE MINIMUM DIMENSIONS OF 16 INCHES BY 32 INCHES (41 CM X 81 CM) WITH A THICKNESS NOT EXCEEDING 1 INCH (2.54 CM).
- THE MAXIMUM WEIGHT SHALL NOT BE GREATER THAN 30 LB (13.6 KG)
- DO NOT USE CHANGING STATION IF IT IS DAMAGED OR BROKEN.
- PLEASE CLEAN THE CHANGING STATION WITH A DRY CLOTH AND USE MILD WOOD POLISH IF REQUIRED.

FALL HAZARD:

- TO PREVENT DEATH OR SERIOUS INJURY, ALWAYS KEEP CHILD WITHIN ARM'S REACH.
- ALWAYS SECURE THIS CHANGING STATION TO THE CHANGING SURFACE BY ATTACHING IT USING THE SCREWS PROVIDED. SEE INSTRUCTIONS.
- THE SURFACE USED SHOULD BE LEVEL, STABLE AND STRUCTURALLY SOUND WITH MINIMUM SURFACE DIMENSIONS OF 45.25 INCHES (114.93 CM) BY 17.25 INCHES (43.81 CM).