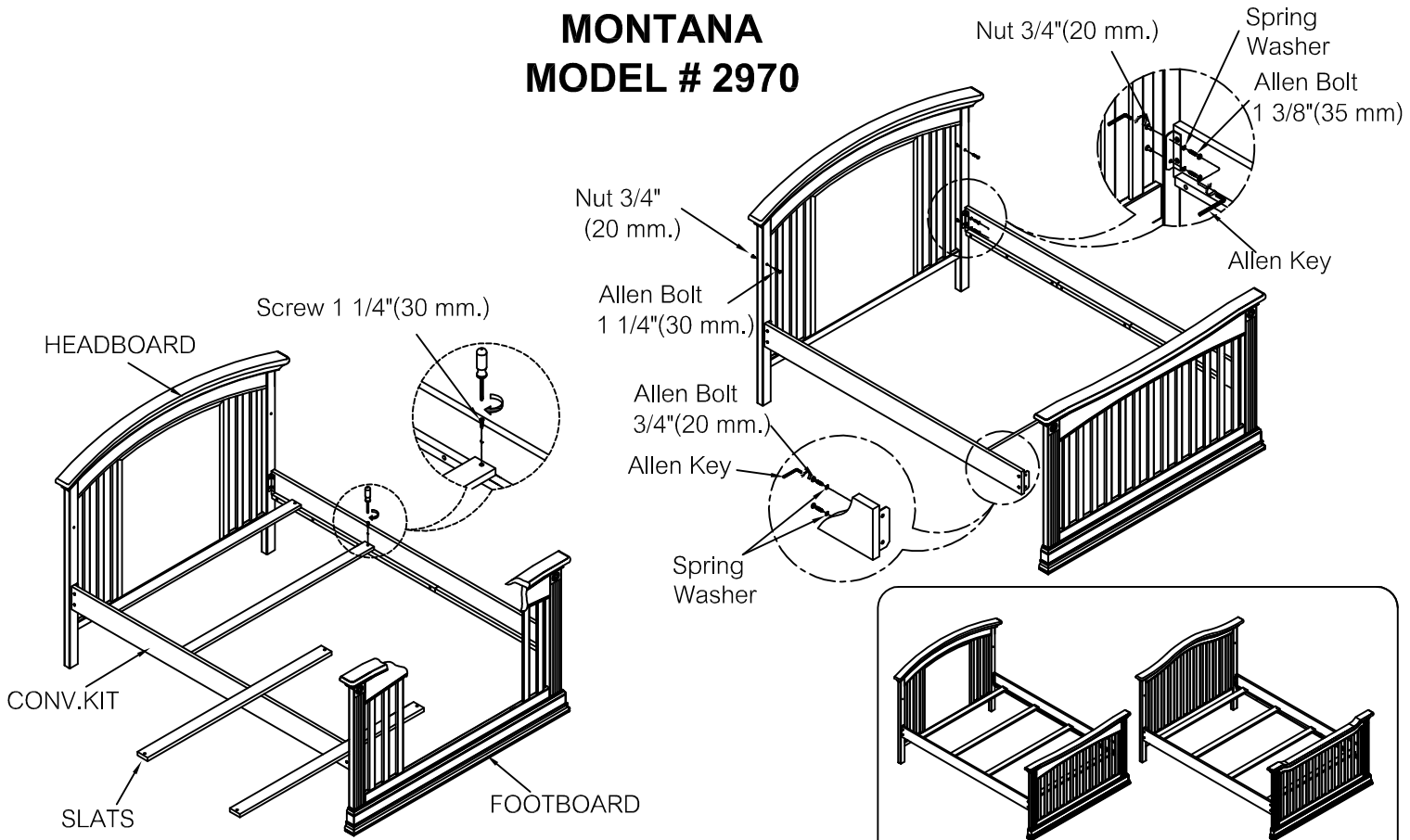


# ASSEMBLY INSTRUCTIONS

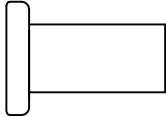
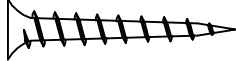
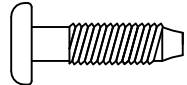
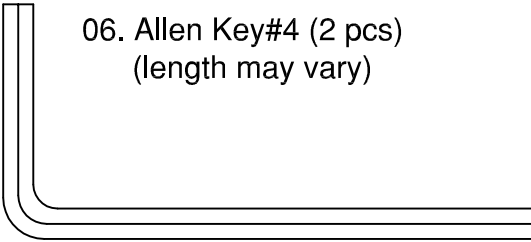


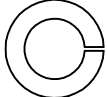
## CONVERSION KIT

### MONTANA

### MODEL # 2970



### HARDWARE

<p>01. Nut 3/4" (20 mm.) (6 pcs)</p> 	<p>05. Screw 1 1/4" (30 mm.) (8 pcs)</p> 
<p>02. Allen Bolt 3/4" (20 mm.) (4 pcs)</p> 	<p>06. Allen Key#4 (2 pcs) (length may vary)</p> 
<p>03. Allen Bolt 1 3/8" (35 mm.) (4 pcs)</p> 	
<p>04. Allen Bolt 1 1/4" (30 mm.) (2 pcs)</p> 	<p>07. Spring Washer (8 pcs)</p> 

Make sure the bolts are tightly locked against the washers during assembly.  
(Please add an extra 1/2 revolution to all the bolts when using spring washer after tightening).



**" RECOMMENDATION:** We recommend the use of a Bunkie Board or box spring under a mattress for this conversion kit."

- THE PRODUCT IMAGES SHOWN ARE FOR ILLUSTRATION PURPOSES ONLY AND MAY NOT BE AN EXACT REPRESENTATION OF THE PRODUCT.
- FINISH COLOR MAY VARY SLIGHTLY DUE TO DIFFERENCES IN WOOD TYPES.