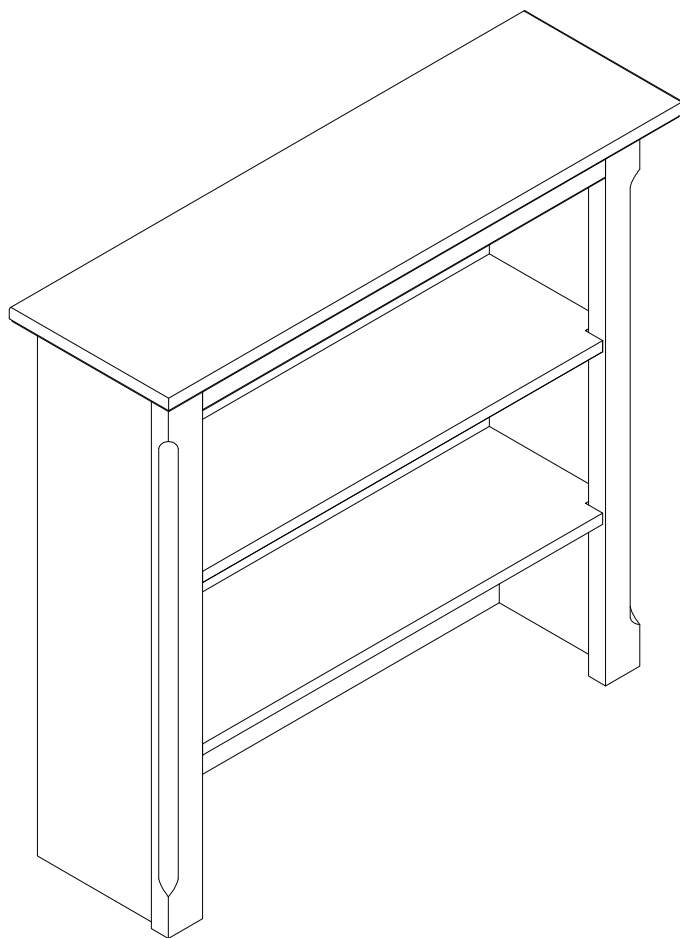


ASSEMBLY INSTRUCTIONS
for HUTCH
OVERLAND
Model # 11118



Carefully remove and lay out all parts. Familiarize yourself with all exhibits and diagrams to facilitate the assembly of your Hutch

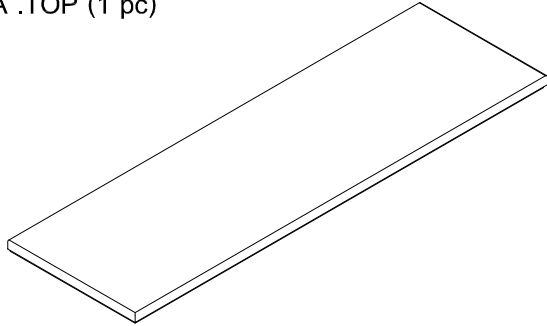
TOOLS REQUIRED :

Allenkey (supplied)

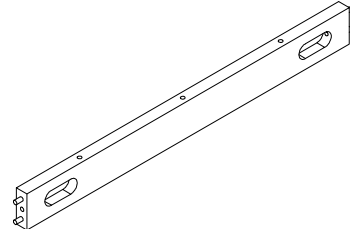
Philip Head Screw driver (unsupplied)

PART ENCLOSED IN CARTON

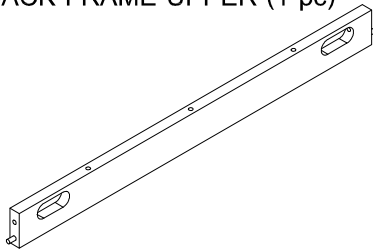
A .TOP (1 pc)



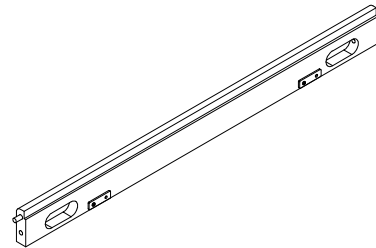
B.FRONT FRAME UPPER (1 pc)



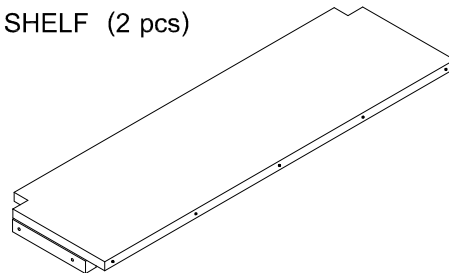
C.BACK FRAME UPPER (1 pc)



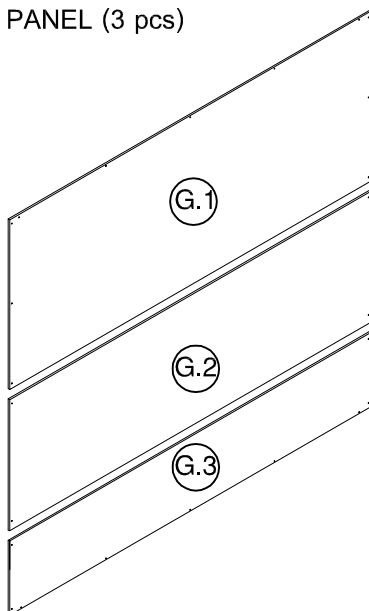
D.BACK FRAME LOWER (1 pc)



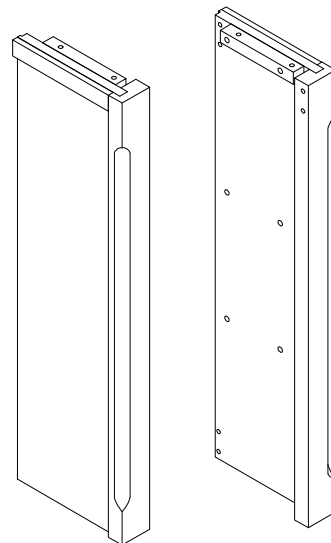
E.FIXED SHELF (2 pcs)



G.BACK PANEL (3 pcs)

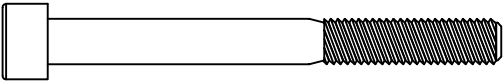


H.SIDE PANEL L-R (2 pcs)

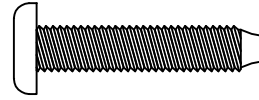


HARDWARE

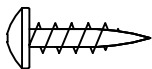
K. Allen Bolt 2 3/8" (60 mm) (12 pcs)



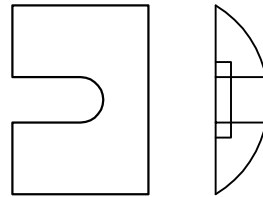
L. Allen Bolt 1 1/4" (30 mm) (12 pcs)



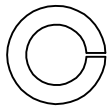
N. Wood Screw 5/8" (15 mm) (34 pcs)



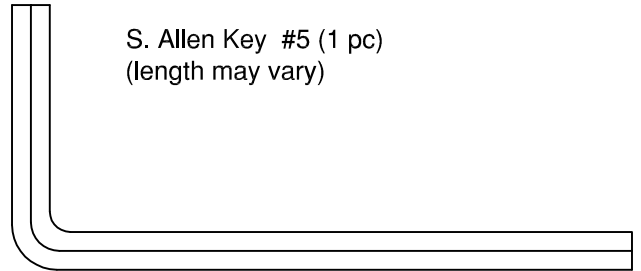
Q. Curved Rectangular Plastic Washer (6 pcs)



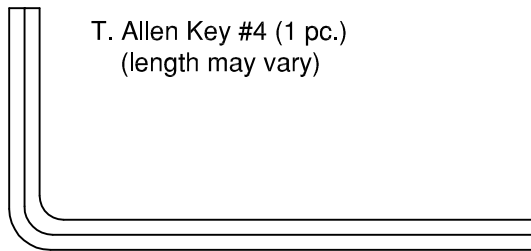
R. Spring Washer (24 pcs)



S. Allen Key #5 (1 pc)
(length may vary)



T. Allen Key #4 (1 pc.)
(length may vary)



Make sure the bolts are tightly locked against the washers during assembly.
(Please add an extra 1/2 revolution to all the bolts when using spring washer after tightening)

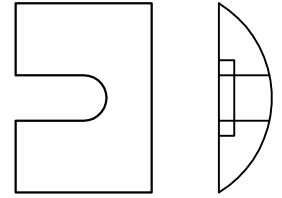
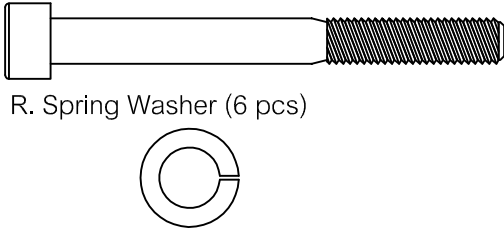
STEP 1 " ASSEMBLY OF SIDE PANEL & FRAME "

THIS STEP REQUIRES :

- B.FRONT FRAME UPPER (1 pc)
- C.BACK FRAME UPPER (1 pc)
- D.BACK FRAME LOWER (1 pc)
- H.SIDE PANEL L-R (2 pcs)
- K. Allen Bolt 2 3/8" (60 mm) (6 pcs)

S. Allen Key #5 (1pc)

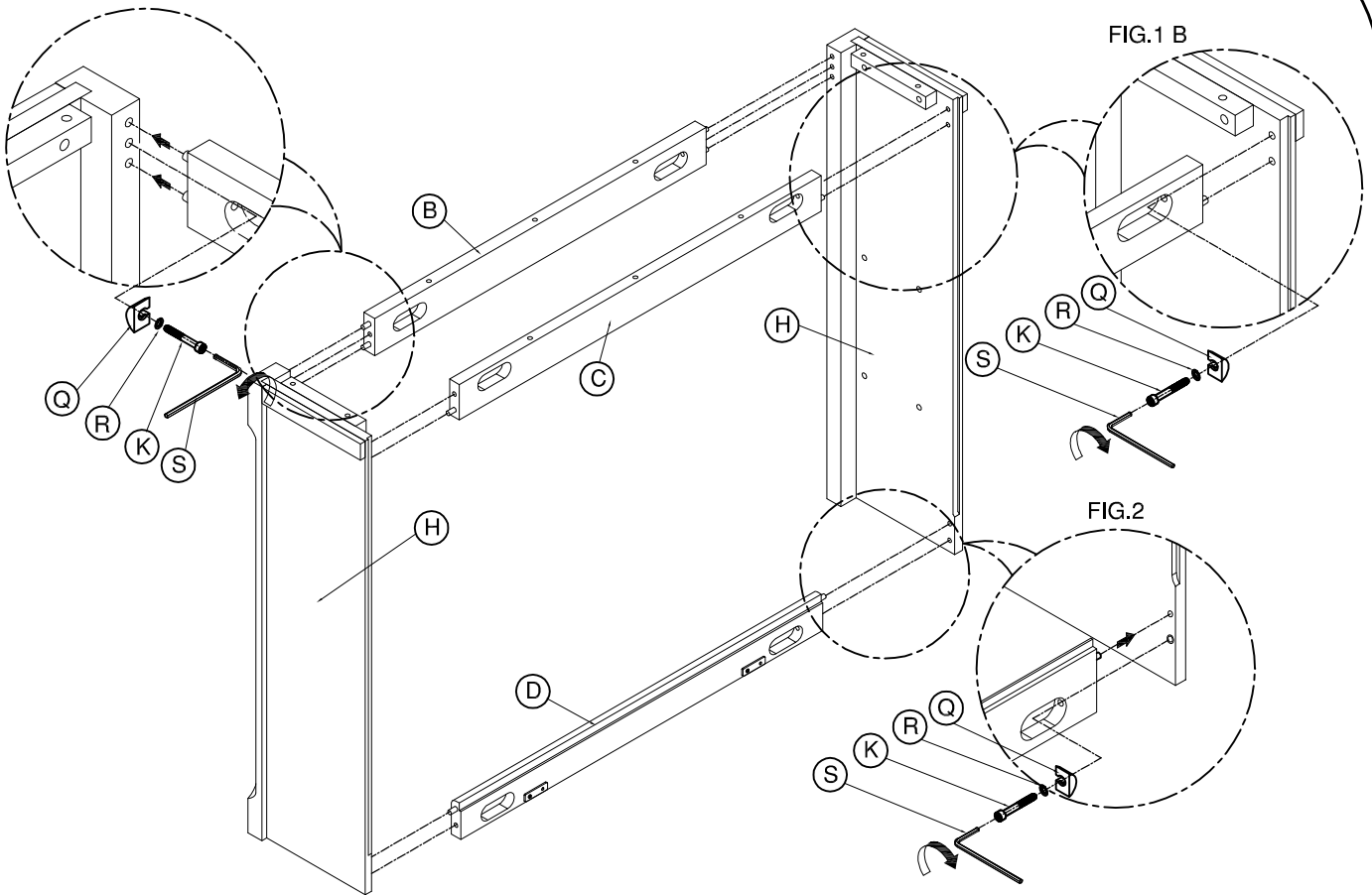
Q.Curved Rectangular Plastic Washer (6 pcs)



R. Spring Washer (6 pcs)

FIG.1A

FIG.1 B



A.Align the Allen bolts 2 3/8" (60 mm) (K) and spring washers (R) into the holes of the front and back upper frame (B & C) as shown in figure 1A & 1B.

B. Insert the Curved Rectangular plastic washers (Q) into holes of the front and back upper frame (B&C) and over the Allen bolts (K) as shown in figure 1A & 1B.

C.Using the Allen Key #5 (S) tighten the Allen Bolts (K) as shown in figure 1.

D.Align the Allen bolts 2 3/8" (60 mm) (K) and spring washers (R) into the hole of the back lower frame (D) as shown in figure 2.

E. Insert the Curved Rectangular plastic washers (Q) into holes of the back lower frame (D) and over the Allen bolts (K) as shown in figure 2.

F. Using the Allen Key #5 (S) tighten the Allen Bolts (K) as shown in figure 2.

STEP 2 " ASSEMBLY OF FIXED SHELF "

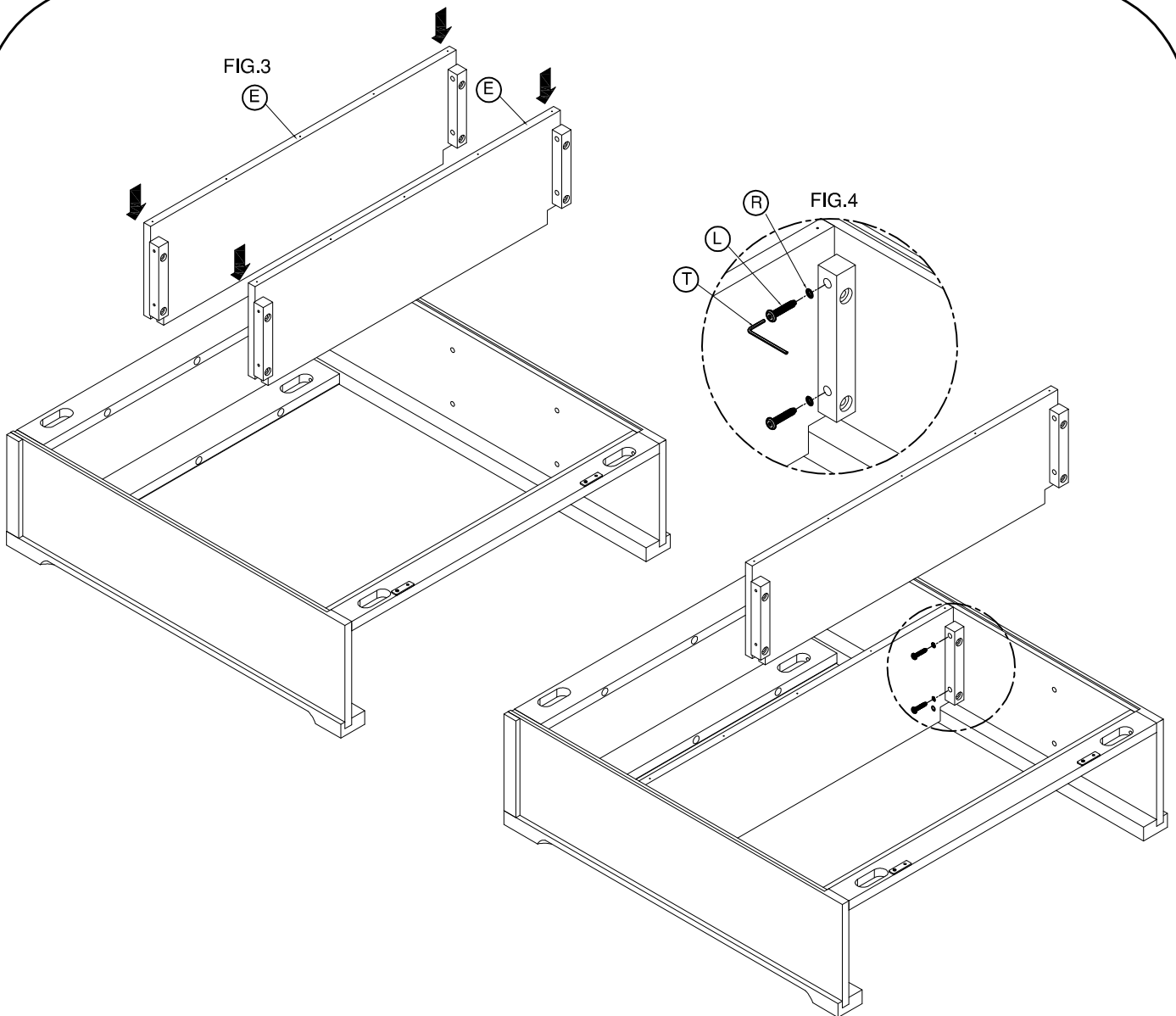
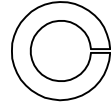
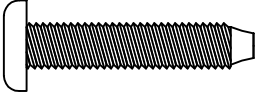
THIS STEP REQUIRES :

E.FIXED SHELF UPPER (2 pcs)

L. Allen Bolt 1 1/4" (30 mm) (8 pcs)

T. Allen Key #4 (1 pc)

R. Spring Washer (8 pcs)



First place the stationary shelves into its appropriate position as shown in FIG.3. Insert the Allen bolts 1 1/4" (30 mm) (L) and spring washers (R) first through inside edge of the stationary shelves, then through the threaded inserts in the side panels, as shown in figure 4. Tighten with Allen Key #4 (T).

STEP 3 " ASSEMBLY OF TOP "

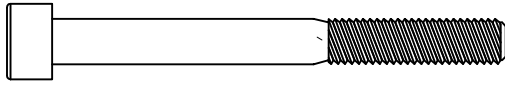
THIS STEP REQUIRES :

A.TOP (1 pc)

S. Allen Key #5 (1pc)

T. Allen Key #4 (1pc)

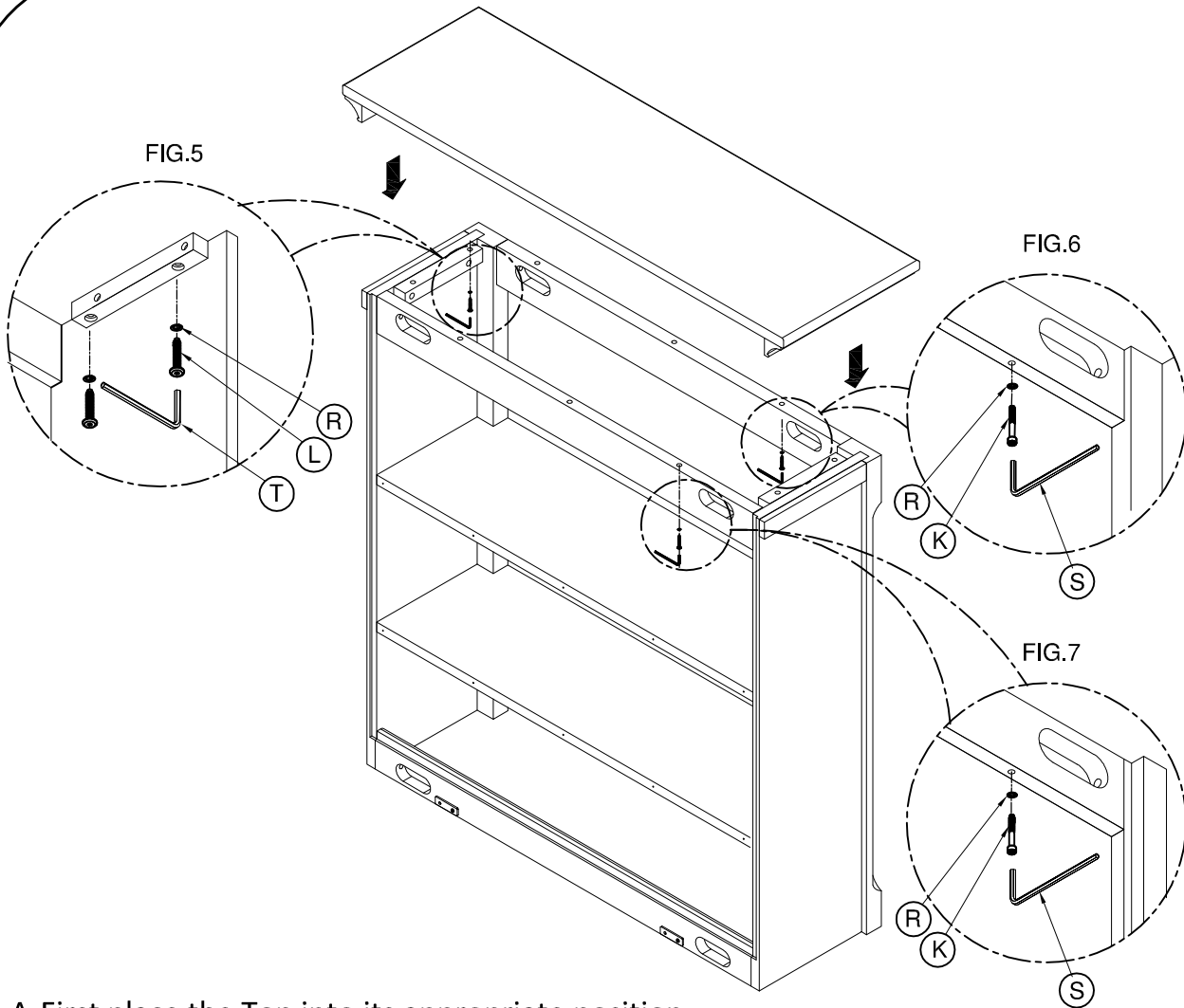
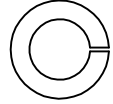
K. Allen Bolt 2 3/8" (60 mm) (6 pcs)



L. Allen Bolt 1 1/4" (30 mm) (4 pcs)



R. Spring Washer (10 pcs)



A. First place the Top into its appropriate position

B. Insert the 4 (four) Allen Bolts 1 1/4" (30 mm) (L) and washers (R) first through the holes in the blocks then into the threaded inserts in the top as shown in figure 5. Tighten all bolts with the Allen key #4 (T).

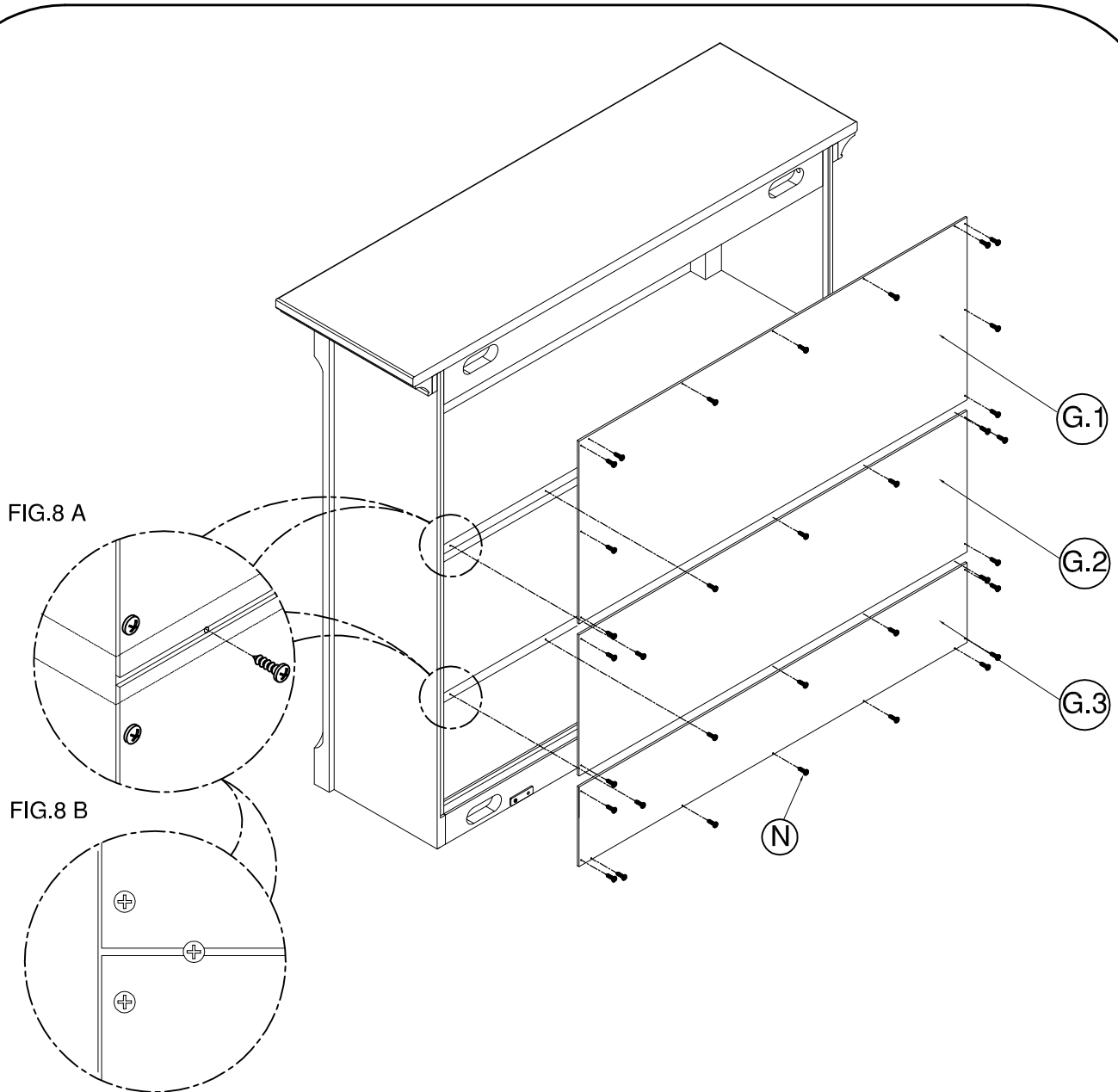
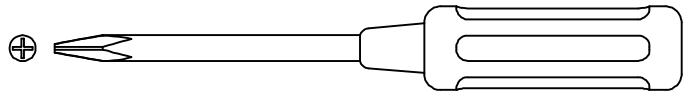
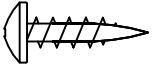
C. Insert the 6 (six) allen bolt 2 3/8" (60 mm) (K) and washer (R) first through the holes in the front and back upper frame (B&C) then into the threaded inserts in top as shown in figure 6 & 7. Tighten all bolts with the Allen key #5 (S).

STEP 4 " ASSEMBLY OF BACK PANEL "

THIS STEP REQUIRES :

G. BACK PANEL (3 pcs)
N. Wood Screw 5/8" (15 mm) (34 pcs)

Philip Head Screw driver (unsupplied)



A. Using a Phillips head screw driver, attach the Back Panel (G) to the back of the Hutch using the 34 wood screws (N) as shown in FIG.8 A.

B. Make sure the screws are attached in between top and bottom panel into the predrilled holes provided (on the back of the shelf). Please see FIG.8 A and Fig.8 B.