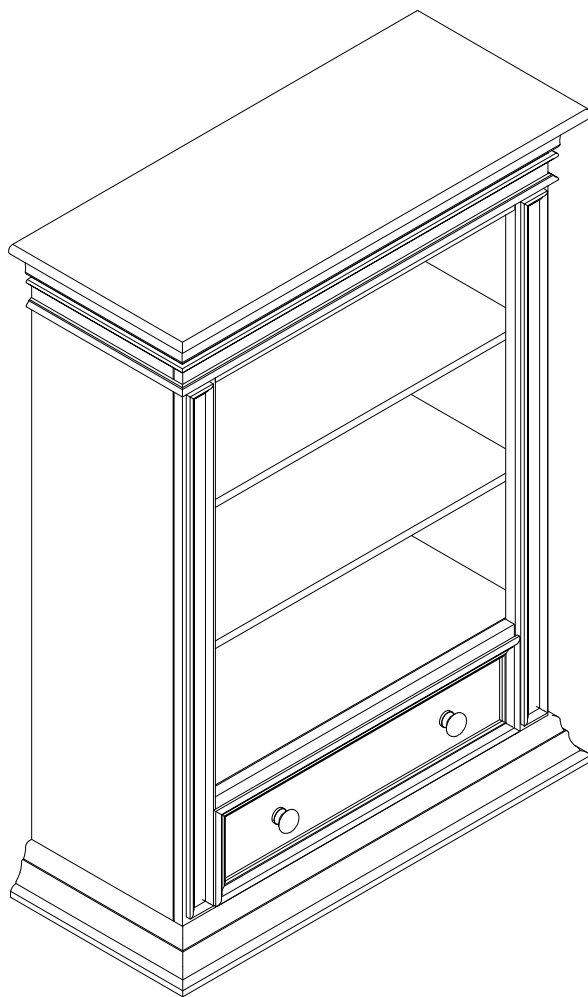


ASSEMBLY INSTRUCTIONS
for BOOK CASE
VIENNA
Model # 2316



Carefully remove and lay out all parts. Familiarize yourself with all exhibits and diagrams to facilitate the assembly of your Hutch

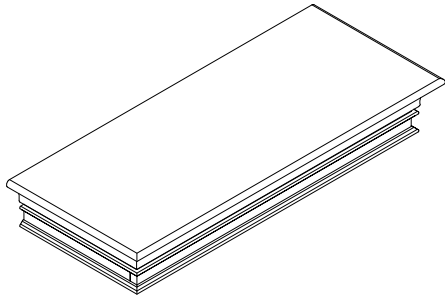
TOOLS REQUIRED :

Allenkey (supplied)

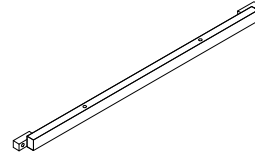
Philip Head Screw driver (unsupplied)

PART ENCLOSED IN CARTON

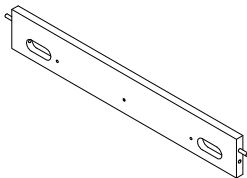
A .TOP (1 pc)



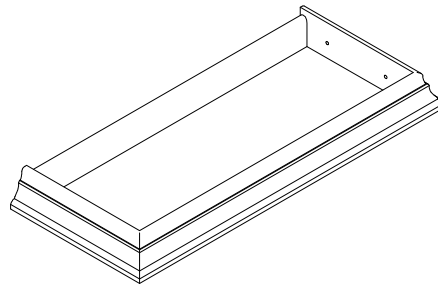
B.FRONT FRAME UPPER (1 pc)



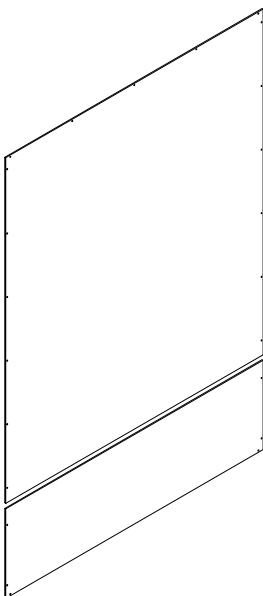
C. FRONT FRAME LOWER (1pc)



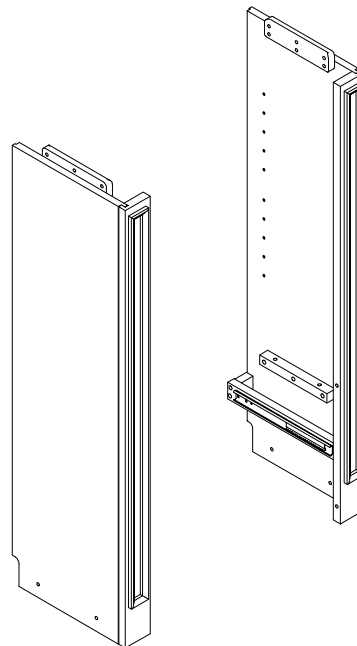
D.BASE (1 pc)



E.BACK PANEL (2 pcs)

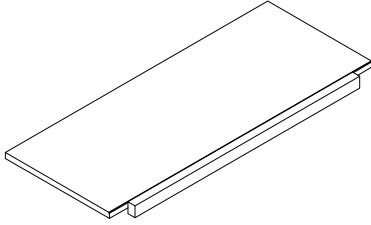


F.SIDE PANEL L-R (2 pcs)

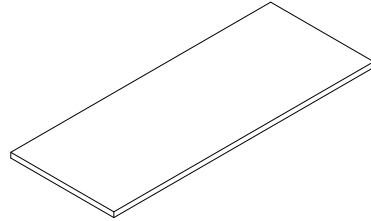


PART ENCLOSED IN CARTON

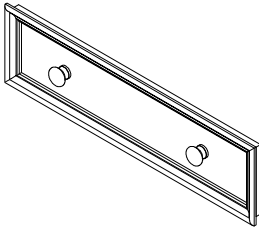
G .FIXED SHELF (1 pc)



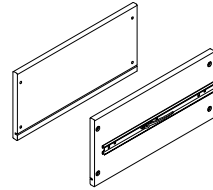
H.ADJUSTABLE SHELF (2 pcs)



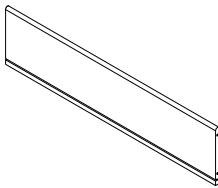
J. DRAWER FRONT (1pc)



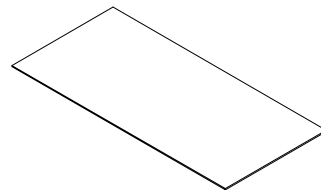
K.SIDE DRAWER (2 pcs)



L.DRAWER BACK (1 pc)

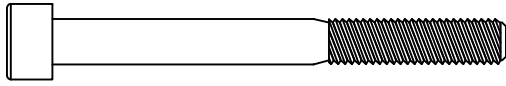


M.BOTTOM DRAWER (1 pc)

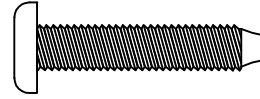


HARDWARE

N. Allen Bolt 2 3/8" (60 mm) (2 pcs)



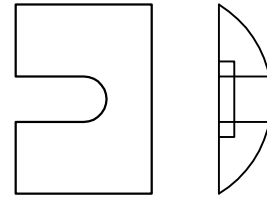
P. Allen Bolt 1 1/4" (30 mm) (21 pcs)



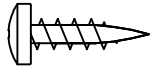
Q. Spring Washer (21pcs)



R. Curved Rectangular Plastic Washer (2 pcs)



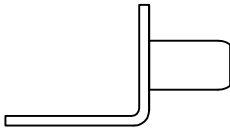
S. Wood Screw 5/8" (15 mm) (39 pcs)



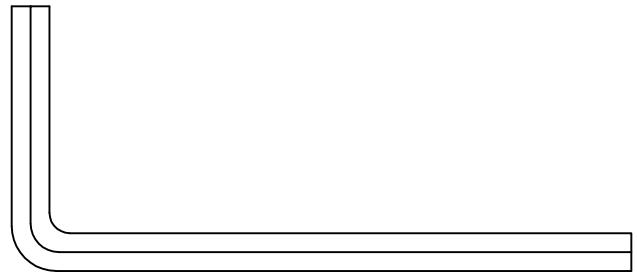
T. Bolt Ø3 x 1" (25 mm) (8 pcs)



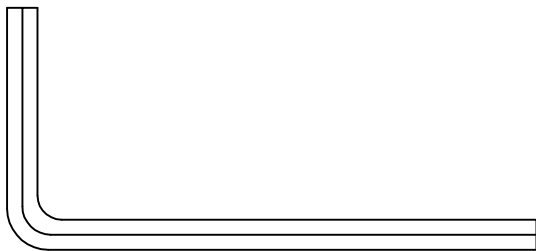
U. Adjust shelf (8 pcs)



V. Allen Key #5 (1 pc)
(length may vary)



W. Allen Key #4 (1 pc)
(length may vary)

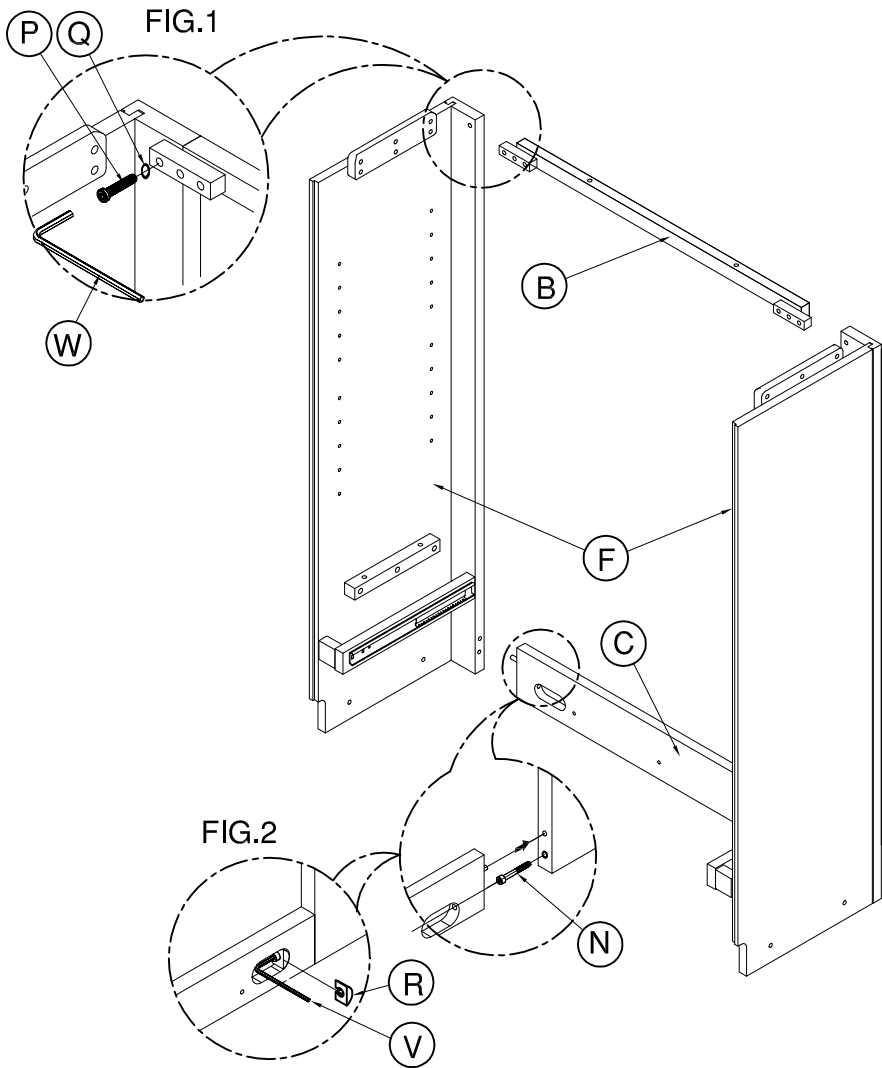
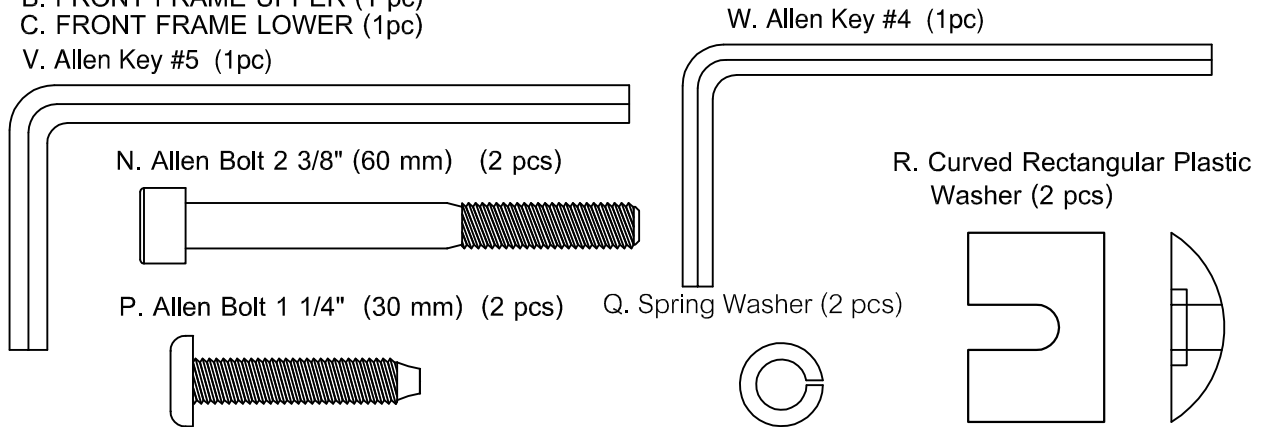


Make sure the bolts are tightly locked against the washers during assembly.
(Please add an extra 1/2 revolution to all the bolts when using spring washer after tightening)

STEP 1 " ASSEMBLY OF SIDE PANEL & FRAME "

THIS STEP REQUIRES :

- F. SIDE PANEL L-R (2 pcs)
- B. FRONT FRAME UPPER (1 pc)
- C. FRONT FRAME LOWER (1pc)
- V. Allen Key #5 (1pc)



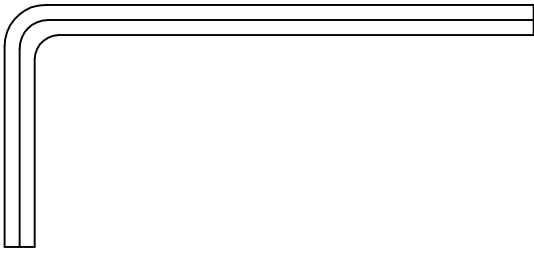
- A. Attach front frame upper (B) to side panel L-R (F), by inserting allen bolt 1 1/4" (30 mm) [P] and spring washer (Q) through the holes in the blocks then into the threaded insert in the side panel L-R (F).
- B. Using the Allen Key #4 (W) tighten the Allen Bolts (P) as shown in figure 1.
- C. Insert the Curved Rectangular plastic washers (R) into holes of the front frame lower (C) and over the Allen bolts (N) as shown in figure 2.
- D. Using the Allen Key #5 (V) tighten the Allen Bolts (N) as shown in figure 2.

STEP 2 " ASSEMBLY OF FIXED SHELF "

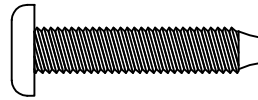
THIS STEP REQUIRES :

G .FIXED SHELF (1 pc)

W. Allen Key #4 (1pc)



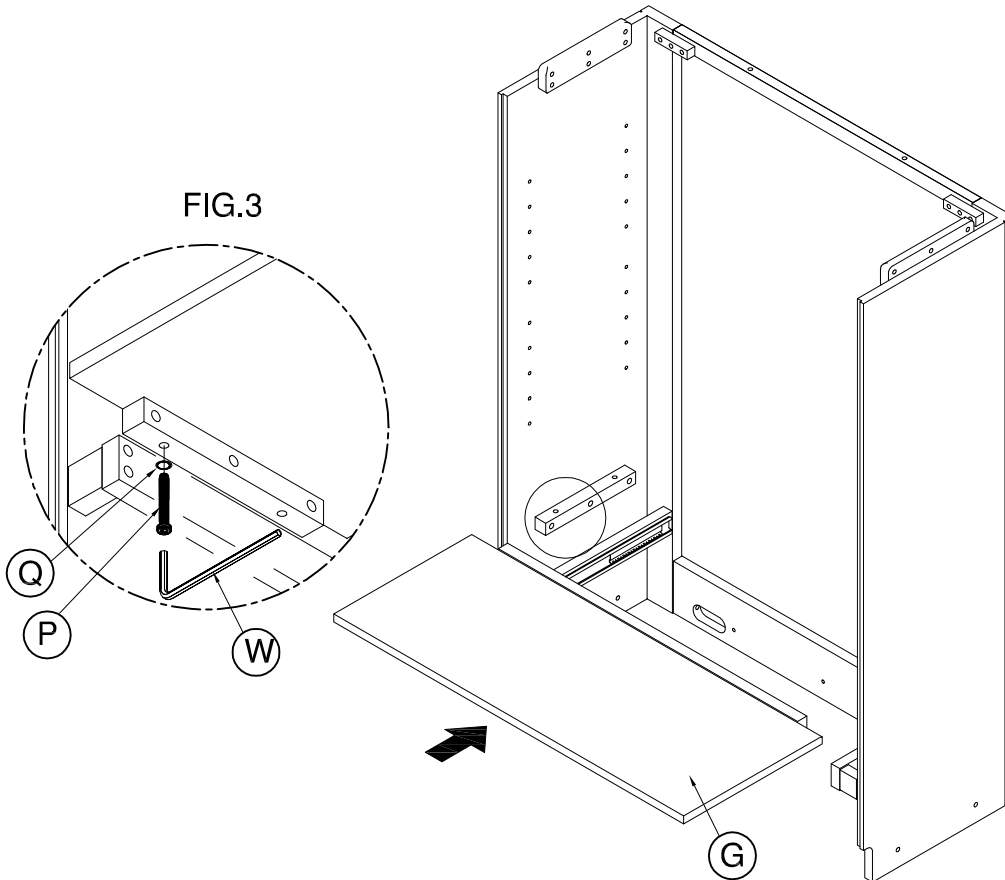
P. Allen Bolt 1 1/4" (30 mm) (4 pcs)



Q. Spring Washer (4 pcs)



FIG.3



A. Attach the fixed shelf (G) to the side panels using 4 allen bolts (P). Insert the 4 Allen bolts (P) and 4 spring washers (Q) first through the hole in the blocks, then into the threaded inserts in the fixed shelf as shown in figure 3.

B. Tighten with Allen Key #4 (W).

STEP 3 " ASSEMBLY OF TOP "

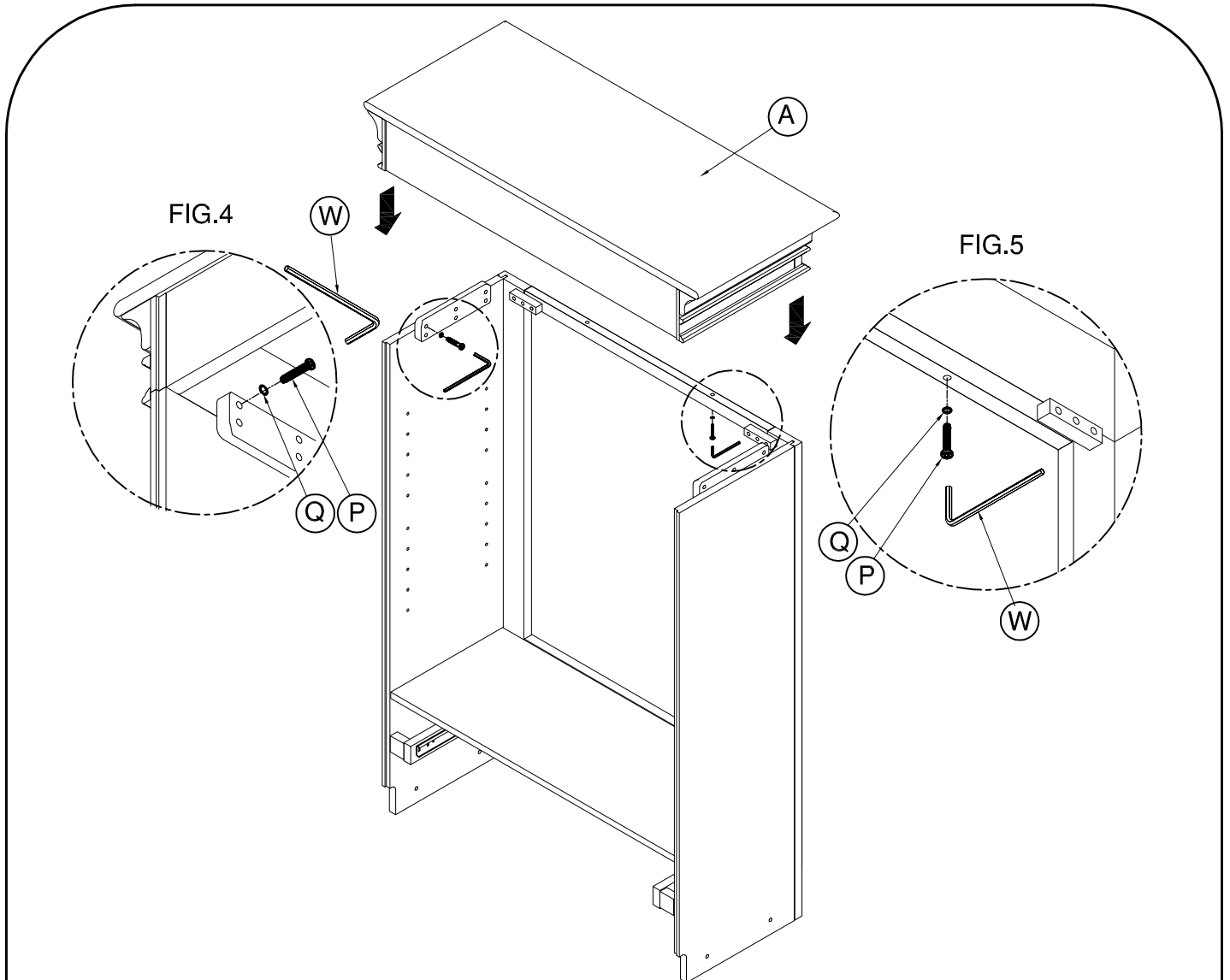
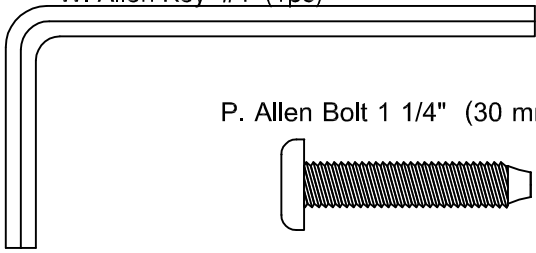
THIS STEP REQUIRES :

A.TOP (1 pc)

W. Allen Key #4 (1pc)

P. Allen Bolt 1 1/4" (30 mm) (8 pcs)

Q. Spring Washer (8 pcs)



A. First place the Top into its appropriate position

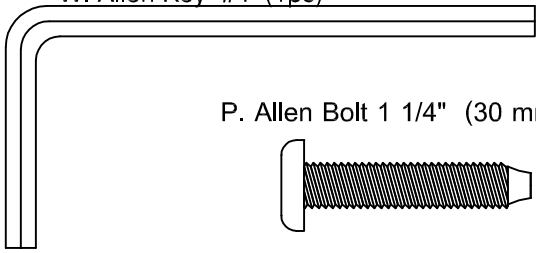
B. Insert the 6 (six) Allen Bolts 1 1/4" (30 mm)(P) and washers (Q) first through the holes in the blocks then into the threaded inserts in the top as shown in figure 4. Tighten all bolts with the Allen key #4 (W).

C. Insert the 2 (two) allen bolt 1 1/4" (30 mm) (P) and washer (Q) first through the holes in the front frame upper then into the threaded inserts in top as shown in figure 5. Tighten all bolts with the Allen key #4 (W).

STEP 4 " ASSEMBLY OF BASE "

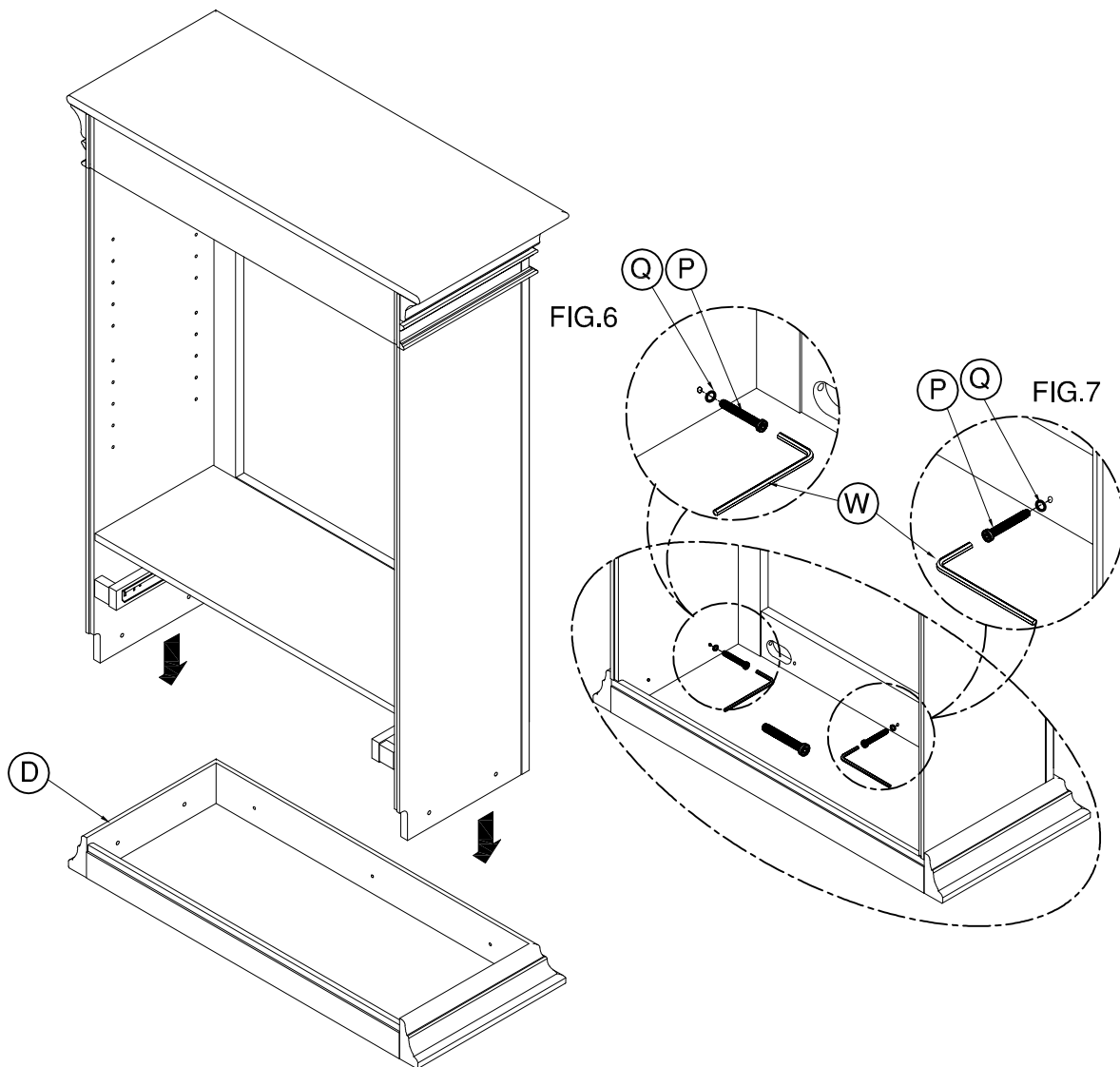
THIS STEP REQUIRES :

D.BASE (1 pc)
W. Allen Key #4 (1pc)



P. Allen Bolt 1 1/4" (30 mm) (7 pcs)

Q. Spring Washer (7 pcs)



A. First place the Base into its appropriate position

B. Insert the 4 (four) Allen Bolts 1 1/4" (30 mm)(P) and washers (Q) first through the holes in the side panel L-R then into the threaded inserts in the base as shown in figure 6. Tighten all bolts with the Allen key #4 (W).

C. Insert the 3 (three) Allen Bolts 1 1/4" (30 mm)(P) and washers (Q) first through the holes in the front frame lower than into the threaded inserts in the base as shown in figure 7. Tighten all bolts with the allen key #4 (W).

STEP 5 " ASSEMBLY OF ADJUSTABLE SHELF "

THIS STEP REQUIRES :

H. Adjustable Shelf (2 pcs)

S. Wood Screw 5/8" (15 mm) (8 pcs)

Philip Head Screw driver (unsupplied)



U. Adjust shelf (8 pcs)

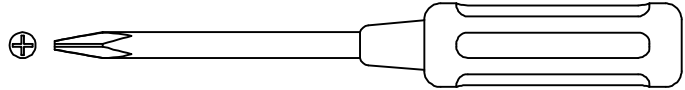
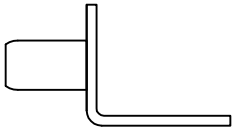
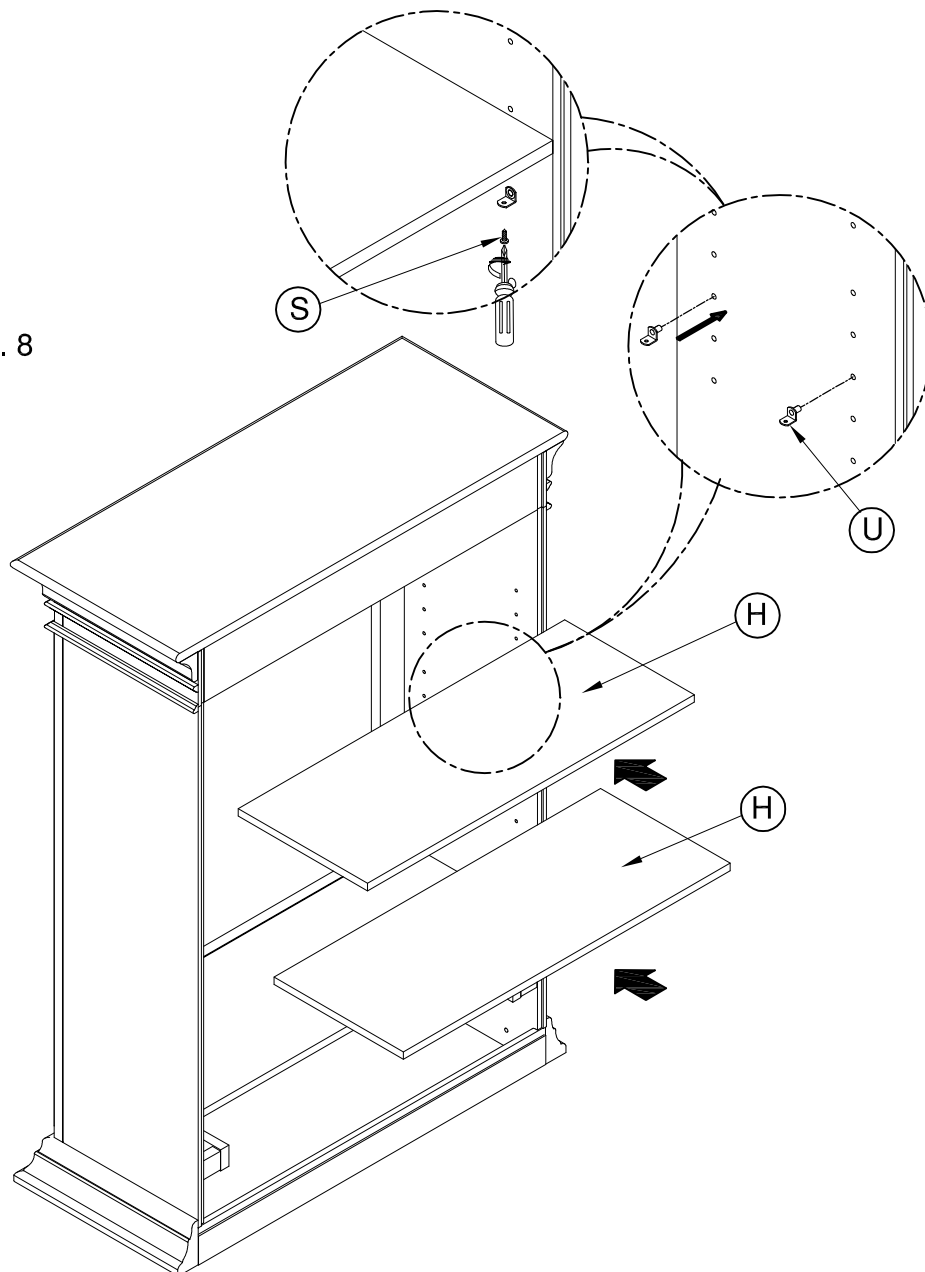


FIG. 8



A. Choose a desired shelf height position and insert the shelf pegs as shown in Figure 8.

B. Put the adjustable shelf (H) onto the shelf pegs.

C. Using a Phillips head screw driver, secure the adjustable shelf using wood screws (S).

STEP 6 " ASSEMBLY OF BACK PANEL "

THIS STEP REQUIRES :

E. BACK PANEL (2 pcs)
S. Wood Screw 5/8" (15 mm) (31 pcs)

Philip Head Screw driver (unsupplied)

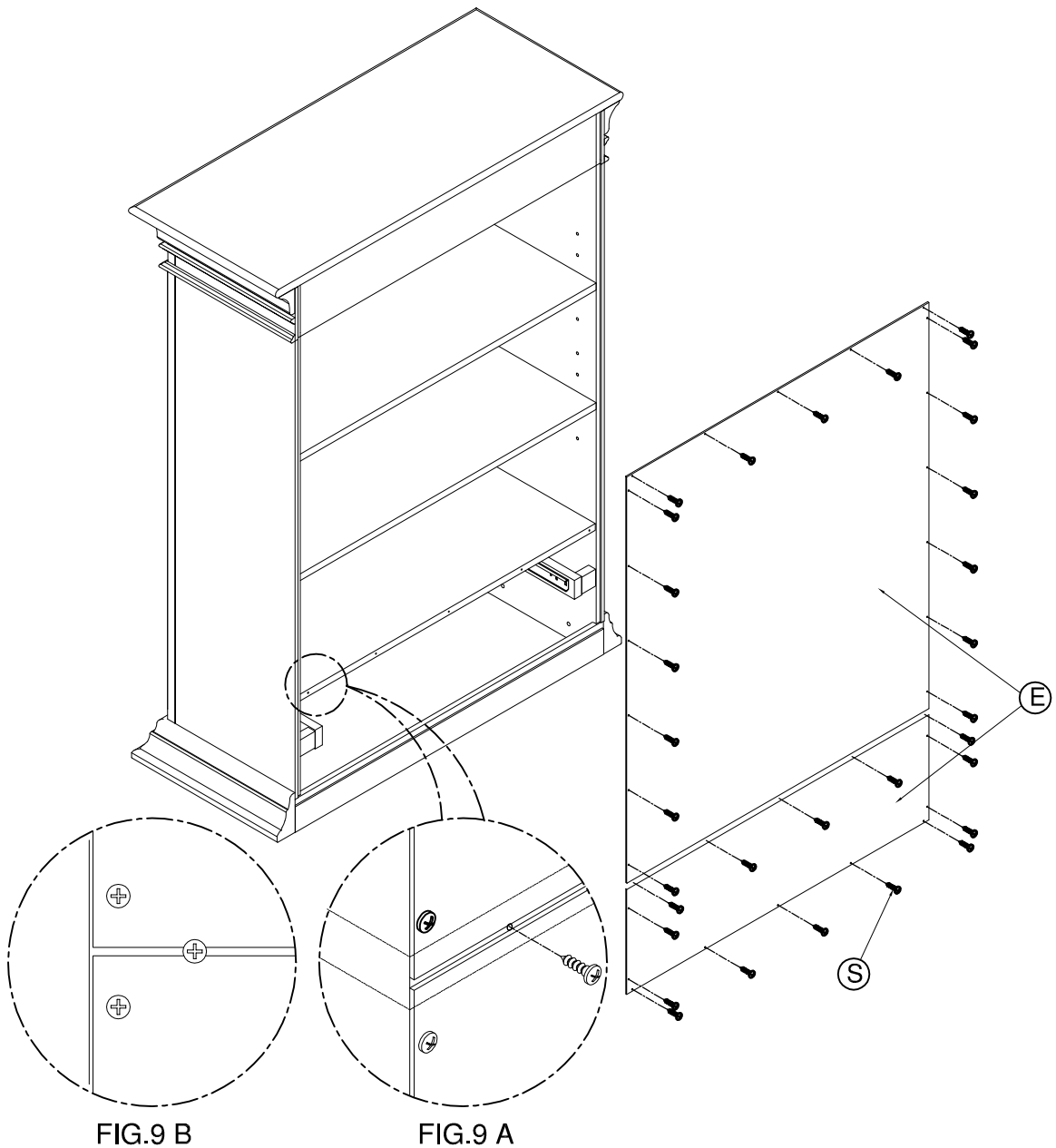
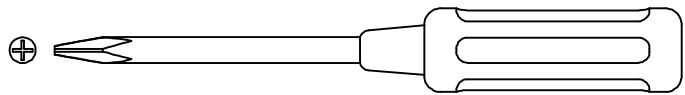
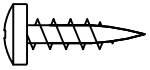


FIG.9 B

FIG.9 A

A. Using a Phillips head screw driver, attach the Back Panel (E) to the back of the book case using the 31 wood screws (S) as shown in FIG.9 A.

B. Make sure the screws are attached in between top and bottom panel in to the predrilled holes provided (on the back of the shelf). Please see FIG.9 A and Fig.9 B.

STEP 7 " ASSEMBLY OF DRAWER BOX"

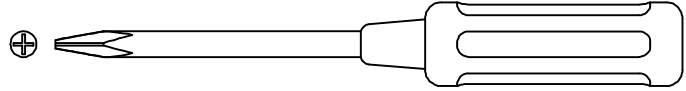
THIS STEP REQUIRES :

- J. DRAWER FRONT (1pc)
- K.SIDE DRAWER (2 pcs)
- L.DRAWER BACK (1 pc)
- M.BOTTOM DRAWER (1 pc)

T. Bolt $\varnothing 3 \times 1$ " (25 mm) (8 pcs)



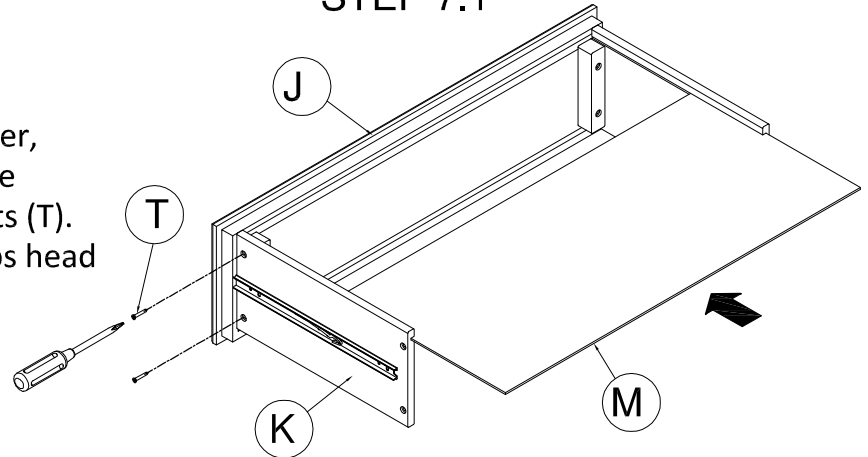
Philip Head Screw driver (unsupplied)



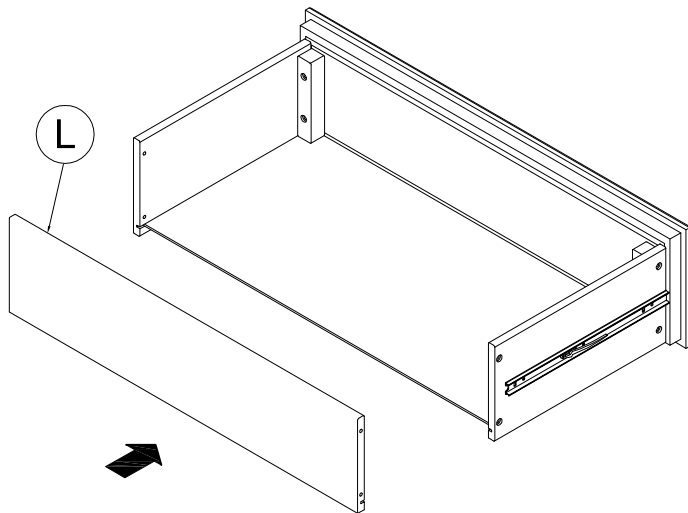
STEP 7.1

- First place the bottom drawer (M) into its appropriate position.
- Using a Phillips head screw driver, attach the side drawer (K) to the drawer front (J) using the 4 bolts (T). Tighten all bolts with the Phillips head screw driver.

STEP 7.1



STEP 7.2



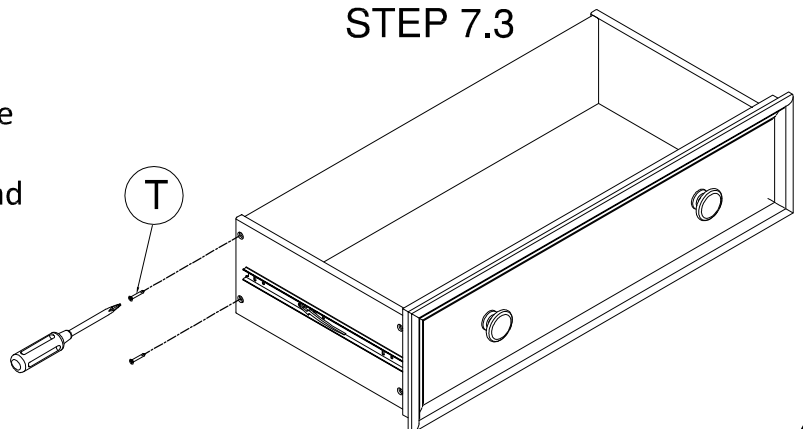
STEP 7.2

- Place the drawer back (L) into its appropriate position.

STEP 7.3

- Using a Phillips head screw driver, attach the drawer back (L) to the side drawer (K) using the 4 bolts (T). Tighten all bolts with the Phillips head screw driver.

STEP 7.3



STEP 8 " INSTALL OF DRAWER BOX"

- STEP 1 : INSERT THE DRAWER BY PULLING TRACK ON LEFT AND RIGHT CABINET MEMBERS ALL THE WAY FORWARD (INCLUDING BALL BEARING RACK).
- STEP 2 : ALLIGN TRACKS ON DRAWER WITH SLIDER AND PUSH IN THE DRAWER UNTIL THERE IS AUDIBLE "CLICK" SOUND.
- STEP 3 : CHECK FOR PROPER ALLIGNMENT BY INSPECTION THE DRAWER FRONT MARGINS FOR SPACING AND SQUARENESS.
OPEN AND CLOSE SLOWLY SEVERAL TIMES TO ENSURE THE PROPER INSTALLMENT.

