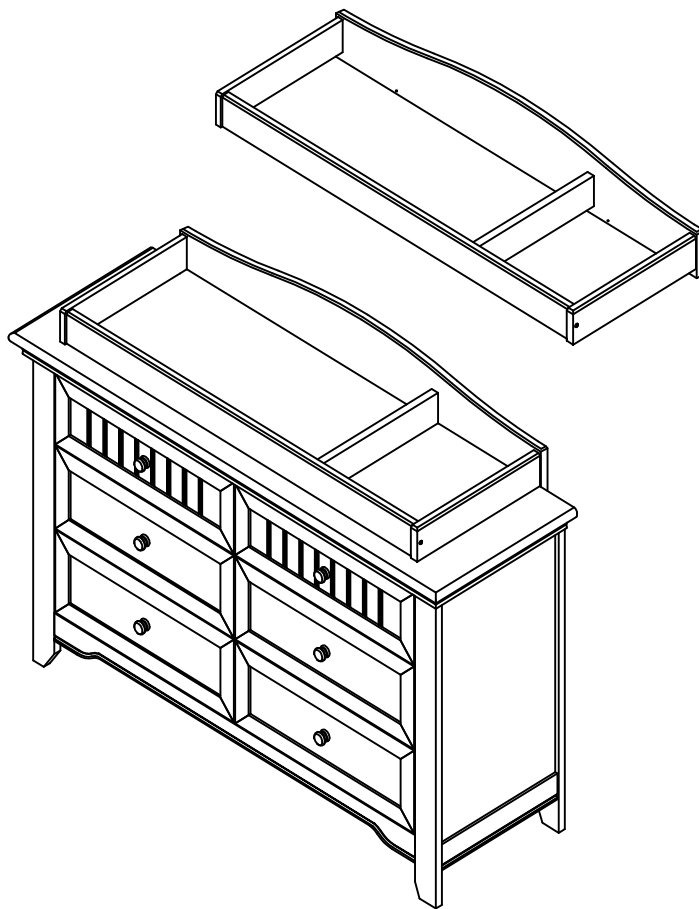


ASSEMBLY INSTRUCTIONS

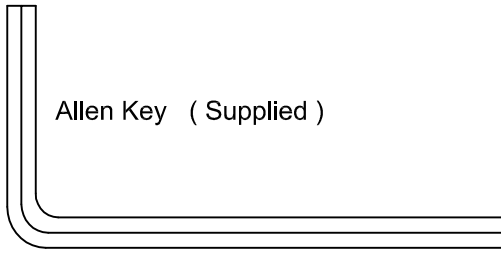
for Changing Station



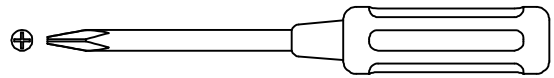
- ATTACH CHANGING STATION TO COMBO OR DRESSER.
- COMBO OR DRESSER MIGHT BE DIFFERENT THAN THE PICTURE

Carefully remove and lay out all parts. Familiarize yourself with all exhibits and diagrams to facilitate the assembly of your changing station

TOOLS REQUIRED :

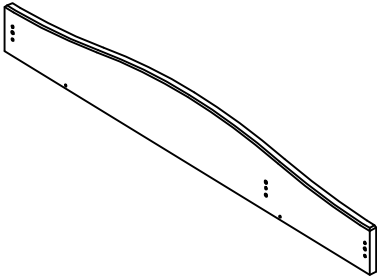


Phillip Head Screw Driver (Not included)

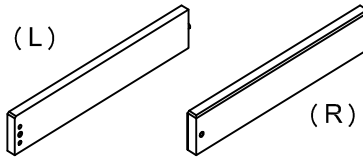


PARTS ENCLOSED IN CARTON

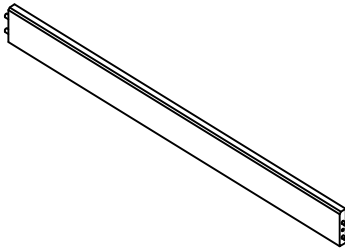
A. Back piece (1 pc)



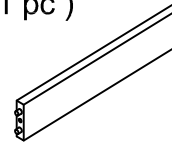
C. Side Piece L - R (2 pcs)



B. Front piece (1 pc)



D. Divider (1 pc)



HARDWARE

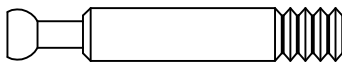
(E) Allenbolt 1 1/4" [30 mm] (7 pcs)



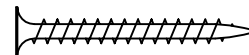
(H) Spring Washer (7 pcs)



(F) Cam Bolt 1 3/4 " (45 mm) (1 pc)



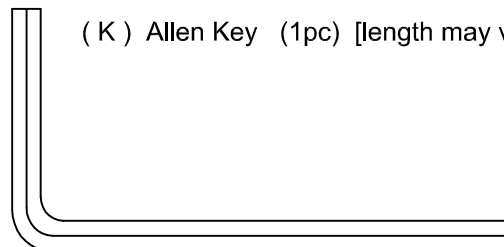
(J) Screw 1 1/4 " (32 mm) (2 pcs)



(G) Cam Lock diameter 5/8 " (15 mm) (1 pc)



(K) Allen Key (1pc) [length may vary]



STEP 1 " ASSEMBLY OF CHANGING STATION "

THIS STEP REQUIRES :

A. Back piece (1 pc)

B. Front piece (1 pc)

C. Side Piece L - R (2 pcs)

D. Divider (1 pc)

F. Cam Bolt 1 3/4 " (45 mm)
(1 pc)

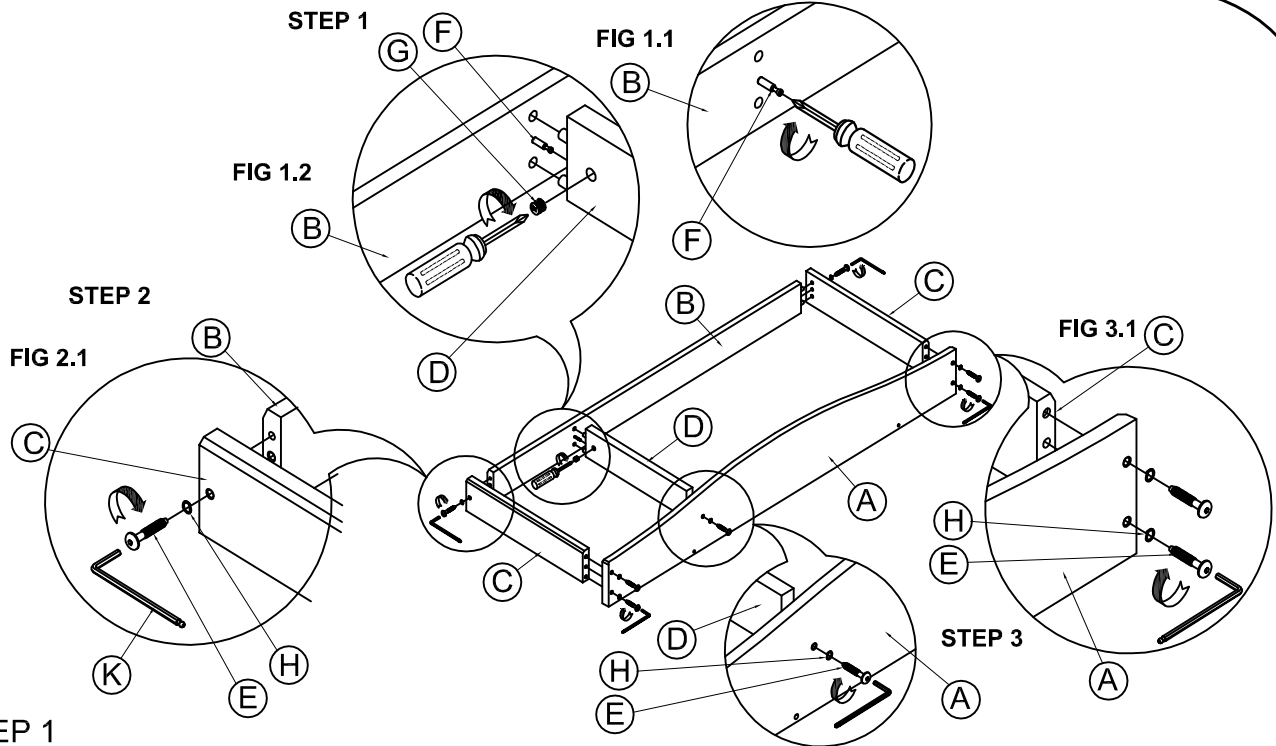
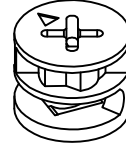
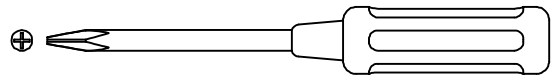
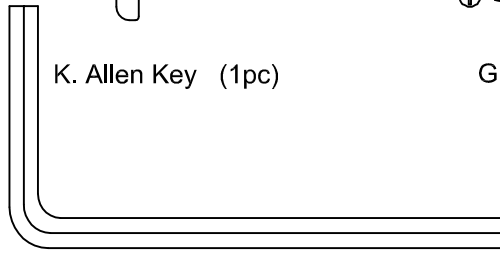
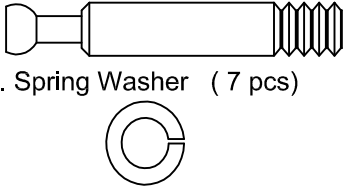
H. Spring Washer (7 pcs)

E . Allenbolt 1 1/4" [30 mm] (7 pcs)

Phillip Head Screw Driver (Not included)

K. Allen Key (1pc)

G. Cam Lock diameter 5/8 " (15 mm) (1 pc)



STEP 1

- Insert the Cam bolt (F) into the hole in the front piece (B)
- Using Phillip Head Screw Driver, tighten cam bolt (F) as shown in FIG 1.1
- Place the divider (D) in the appropriate position on the inside of front piece (B).
- Insert the cam lock (G) into hole in the divider, using Phillip Head screw driver, tighten cam lock as shown in FIG 1.2

STEP 2

- Place the side pieces L-R (C) into its appropriate position ,as shown in FIG 2.1
- Insert the bolts 1 1/4" (30 mm) (E) and spring washer (H) into holes in the side piece L-R (C) as shown in FIG 2.1
- Tighten all bolts with allenkey (K) .

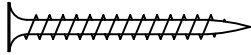
STEP 3

- Place the back piece (A) in its appropriate position ,as shown in FIG 3.1
- Insert the 5 pcs of 1 1/4" (30 mm) (E) bolts and spring washer (H) into holes in the back piece (A) as shown in FIG 3.1
- Tighten all bolts with allenkey (K) .

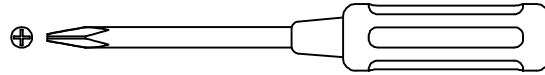
STEP 2 " CHANGING STATION INSTALLATION "

THIS STEP REQUIRES :

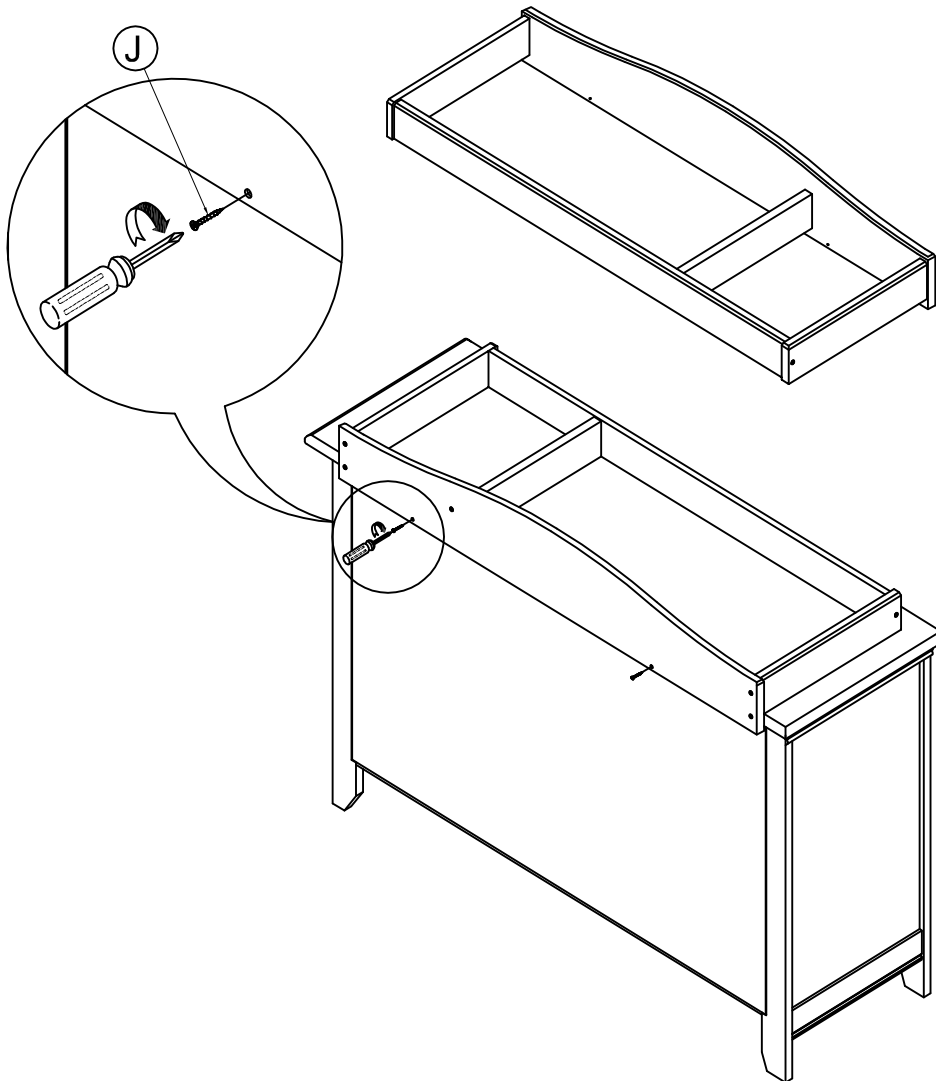
J. Screw 1 1/4 " (32 mm) (2 pcs)




Phillip Head Screw Driver (Not included)




- A. Place the changing station on the top of the Combo or Dresser.
The holes in back side (A) should be below the Combo or Dresser top surface. (see diagram).
- B. Insert the (J) screws into the back of the changing station and combo or dresser,
tighten with Phillip Head Screw driver.
Check to see that the Changing Station is secure.



NOTE : - ATTACH CHANGING STATION TO COMBO OR DRESSER.
- COMBO OR DRESSER MIGHT BE DIFFERENT THAN THE PICTURE

 **“CAUTION: ANY PAD USED IN THIS CHANGING STATION MUST BE AT LEAST 16 INCHES BY 32 INCHES (41 CM X 81 CM) WITH A THICKNESS NOT EXCEEDING 1 INCH (2.54 CM).**

 **WARNING!** FOR CHANGING STATION USE

- READ ALL INSTRUCTIONS BEFORE ASSEMBLING CHANGING STATION.

KEEP INSTRUCTIONS FOR FUTURE USE.

- FAILURE TO FOLLOW THESE WARNINGS AND THE ASSEMBLY INSTRUCTIONS COULD RESULT IN SERIOUS INJURY OR DEATH.
- **CAUTION** : THE PAD INTENDED FOR USE ON THE CHANGING STATION SHALL HAVE MINIMUM DIMENSIONS OF 16 INCHES BY 32 INCHES (41 CM X 81 CM) WITH A THICKNESS NOT EXCEEDING 1 INCH (2.54 CM).
- THE MAXIMUM WEIGHT SHALL NOT BE GREATER THAN 30 LB (13.6 KG)
- DO NOT USE CHANGING STATION IF IT IS DAMAGED OR BROKEN.
- PLEASE CLEAN THE CHANGING STATION WITH A DRY CLOTH AND USE MILD WOOD POLISH IF REQUIRED.

FALL HAZARD:

- TO PREVENT DEATH OR SERIOUS INJURY, ALWAYS KEEP CHILD WITHIN ARM'S REACH.
- ALWAYS SECURE THIS CHANGING STATION TO THE CHANGING SURFACE BY ATTACHING IT USING THE SCREWS PROVIDED. SEE INSTRUCTIONS.
- THE SURFACE USED SHOULD BE LEVEL, STABLE AND STRUCTURALLY SOUND WITH MINIMUM SURFACE DIMENSIONS OF 45.25 INCHES (114.93 CM) BY 17.25 INCHES (43.81 CM).