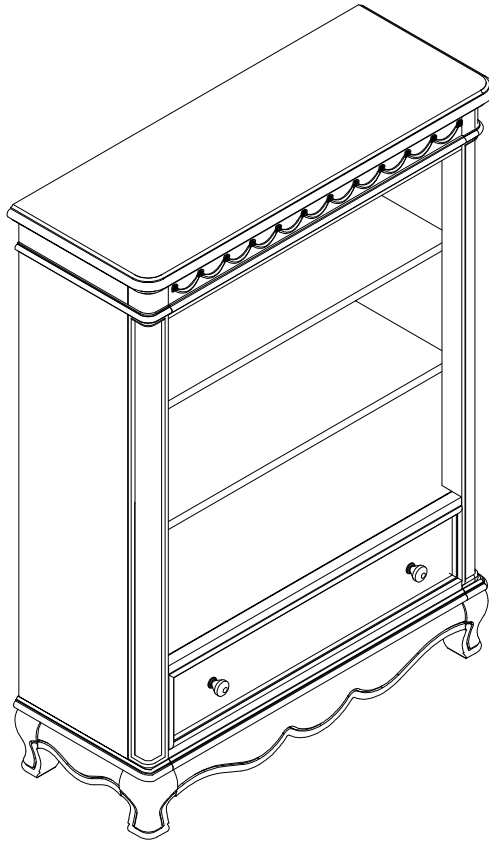


ASSEMBLY INSTRUCTIONS
for BOOK CASE
ADELINA
Model # 22816



"THE PRODUCT IMAGES SHOWN ARE FOR ILLUSTRATION PURPOSES ONLY AND MAY NOT BE AN EXACT REPRESENTATION OF THE PRODUCT."

Carefully remove and lay out all parts. Familiarize yourself with all exhibits and diagrams to facilitate the assembly of your Book case

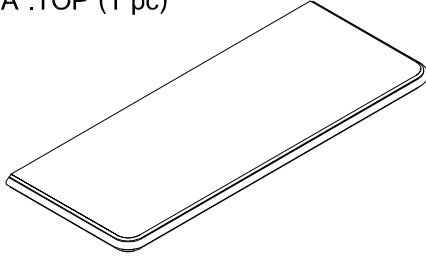
TOOLS REQUIRED :

Allenkey (supplied)

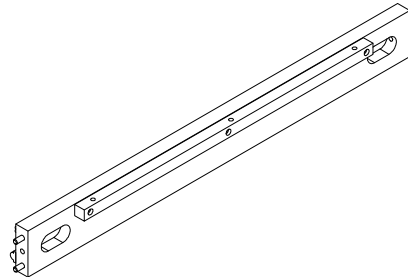
Philip Head Screw driver (unsupplied)

PART ENCLOSED IN CARTON

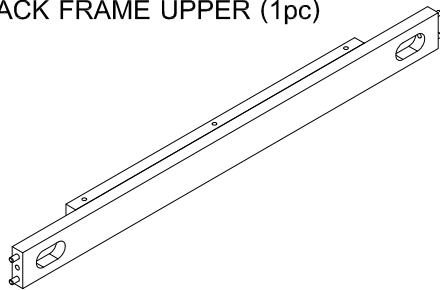
A .TOP (1 pc)



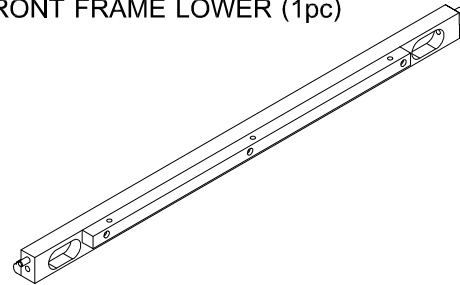
B.FRONT FRAME UPPER (1 pc)



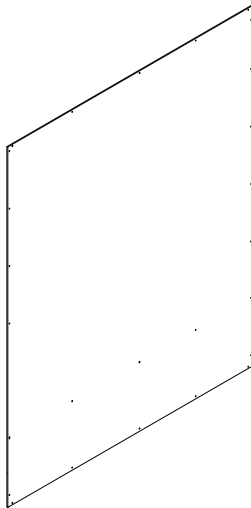
C. BACK FRAME UPPER (1pc)



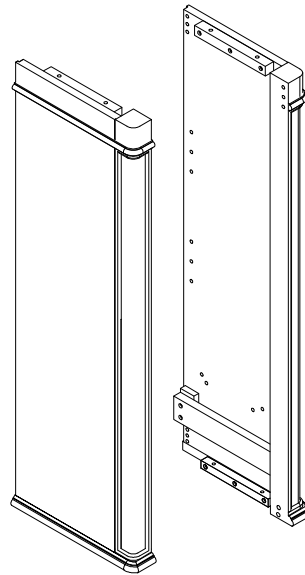
D. FRONT FRAME LOWER (1pc)



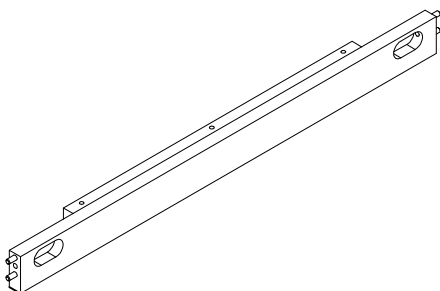
E.BACK PANEL (1 pc)



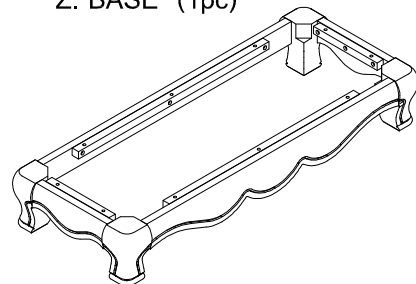
F. SIDE PANEL L-R (2 pcs)



P. BACK FRAME LOWER (1pc)

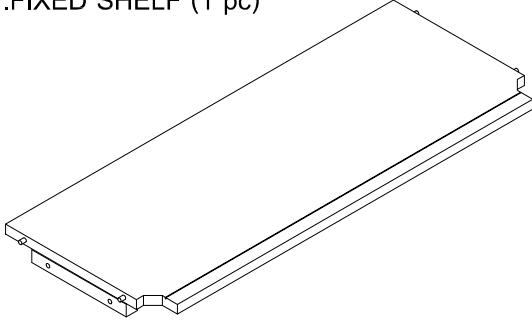


Z. BASE (1pc)

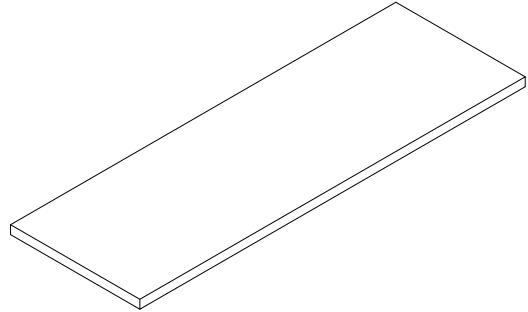


PART ENCLOSED IN CARTON

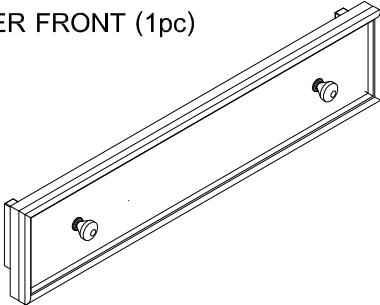
G .FIXED SHELF (1 pc)



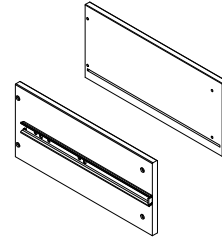
H. ADJUSTABLE SHELF (2 pcs)



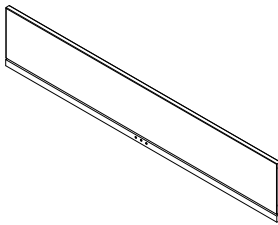
J. DRAWER FRONT (1pc)



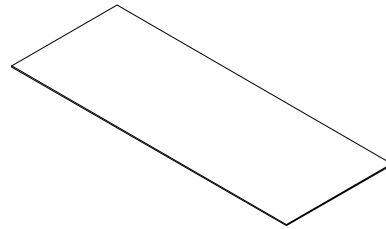
K.SIDE DRAWER (2 pcs)



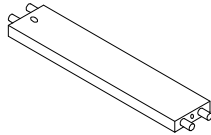
L.DRAWER BACK (1 pc)



M.BOTTOM DRAWER (1 pc)

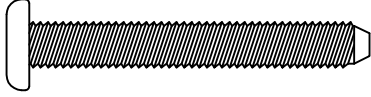


N.BOTTOM DRAWER SUPPORT (1 pc)

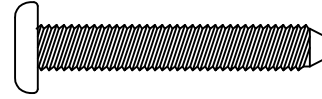


HARDWARE

P. Allen Bolt 1 3/4" (45 mm) (8 pcs)



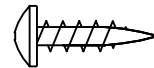
Q. Allen Bolt 1 1/2" (40 mm) (20 pcs)



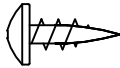
R. Allen Bolt 1 1/4" (30 mm) (4 pcs)



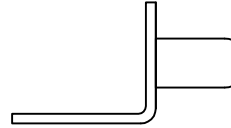
S. Wood Screw 5/8" (15 mm) (27 pcs)



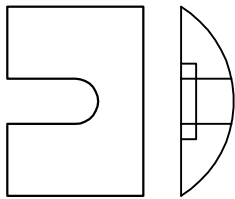
T. Wood Screw 1/2" (12 mm) (8 pcs)



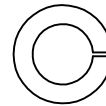
U. ADJUST SHELF (8 pcs)



V. Curved Rectangular Plastic Washer (8 pcs)



W. Spring Washer (32 pcs)



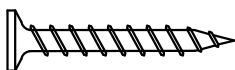
X. Plastic Nut (4 pcs)



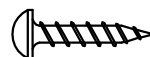
Y. Allen Key (1 pc.) (Length may vary)



AA. Wood Screw Ø3 x 1 1/8" (30 mm) (4 pcs)



BB. Screw 3/4" (20 mm) (6 pc)



Make sure the bolts are tightly locked against the washers during assembly.
(Please add an extra 1/2 revolution to all the bolts when using spring washer after tightening)

STEP 1 " ASSEMBLY OF SIDE PANEL , FRAME & FIXED SHELF"

THIS STEP REQUIRES :

F. SIDE PANEL L-R (2 pcs)

B. FRONT FRAME UPPER (1 pc)

C. BACK FRAME UPPER (1pc)

D. FRONT FRAME LOWER (1pc)

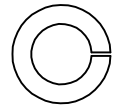
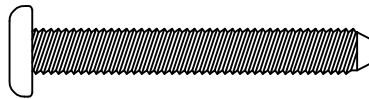
P. BACK FRAME LOWER (1 pc)

G. FIXED SHELF (1 pc)

Y. Allen Key (1pc)

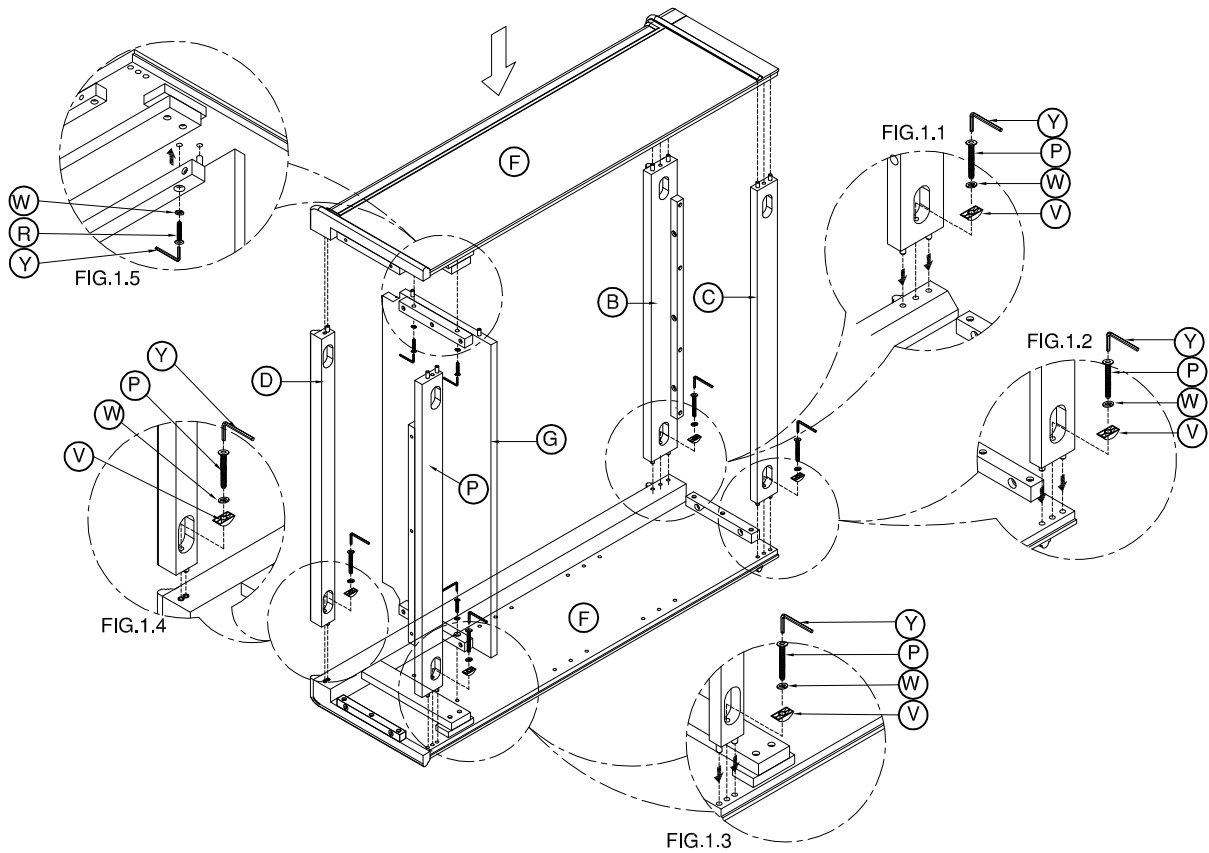
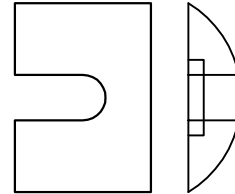
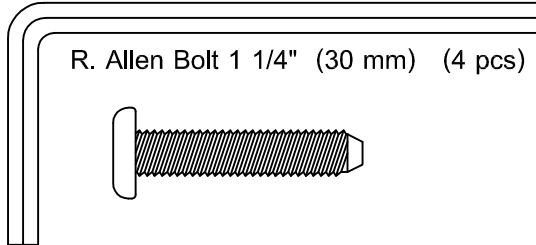
P. Allen Bolt 1 3/4" (45 mm) (8 pcs)

W. Spring Washer (12 pcs)



V. Curved Rectangular Plastic Washer (8 pcs)

R. Allen Bolt 1 1/4" (30 mm) (4 pcs)



A. Attach the frame (B, C, D & P) to side panel L-R (F), by inserting the Curved Rectangular plastic washer (V) and spring washer (W) into holes of the frame (B, C, D & P) and over the Allen Bolts (P) as shown in figure 1.1, 1.2, 1.3 & 1.4.

B. Attach the fixed shelf (G) to the side panels by inserting the allen bolts 1 1/4 " (30 mm)(R) and spring washers (W) first through the hole in the blocks, then into the threaded inserts in the side panel as shown in figure 1.5.

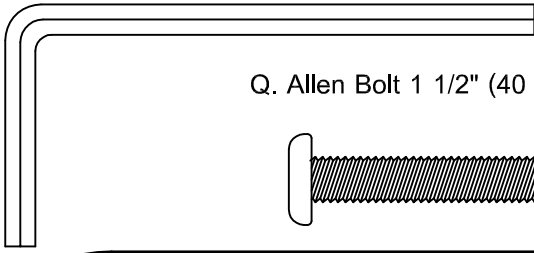
C. Tighten all bolts with the allen key (Y).

STEP 2 " ASSEMBLY OF BASE "

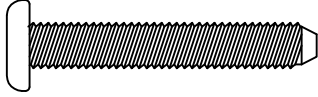
THIS STEP REQUIRES :

Z.BASE (1 pc)

Y. Allen Key #4 (1 pc)



Q. Allen Bolt 1 1/2" (40 mm) (10 pcs)



W. Spring Washer (10 pcs)

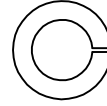
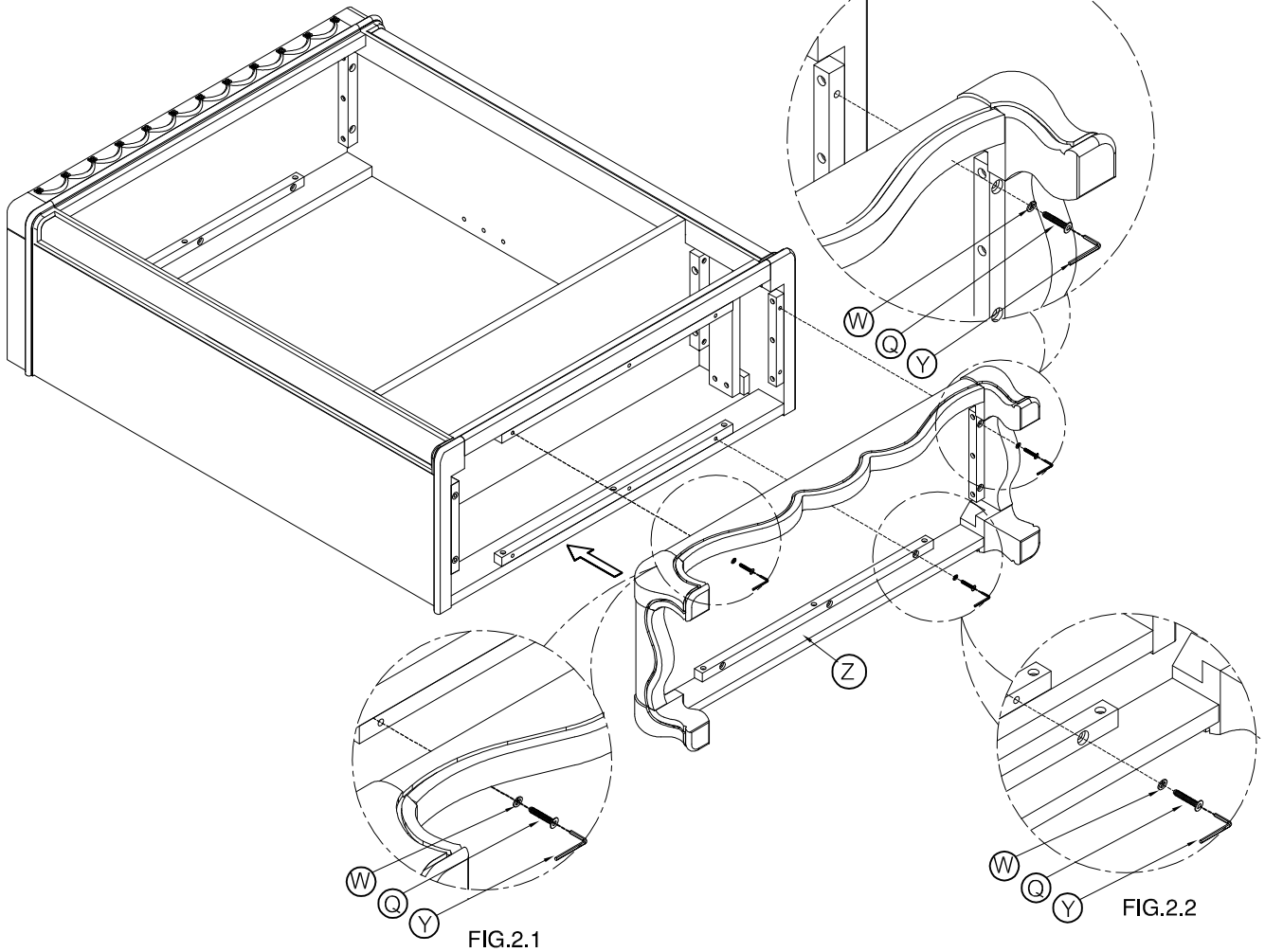


FIG.2.3



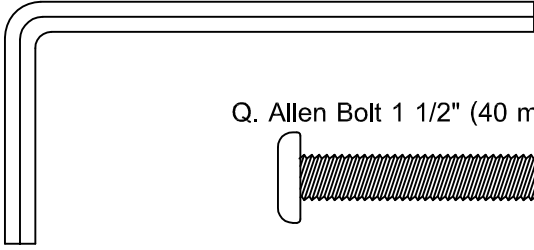
A. First place the Base into its appropriate position

B. Insert the 10 (ten) Allen Bolts 1 1/2" (40 mm) (Q) and washers (W) first through the holes in the blocks on the inside edge of the base then into the threaded inserts in the block on the lower frames and side panel as shown in figure 2.1, 2.2 & 2.3. Tighten all bolts with allen key (Y).

STEP 4 " ASSEMBLY OF TOP "

THIS STEP REQUIRES :

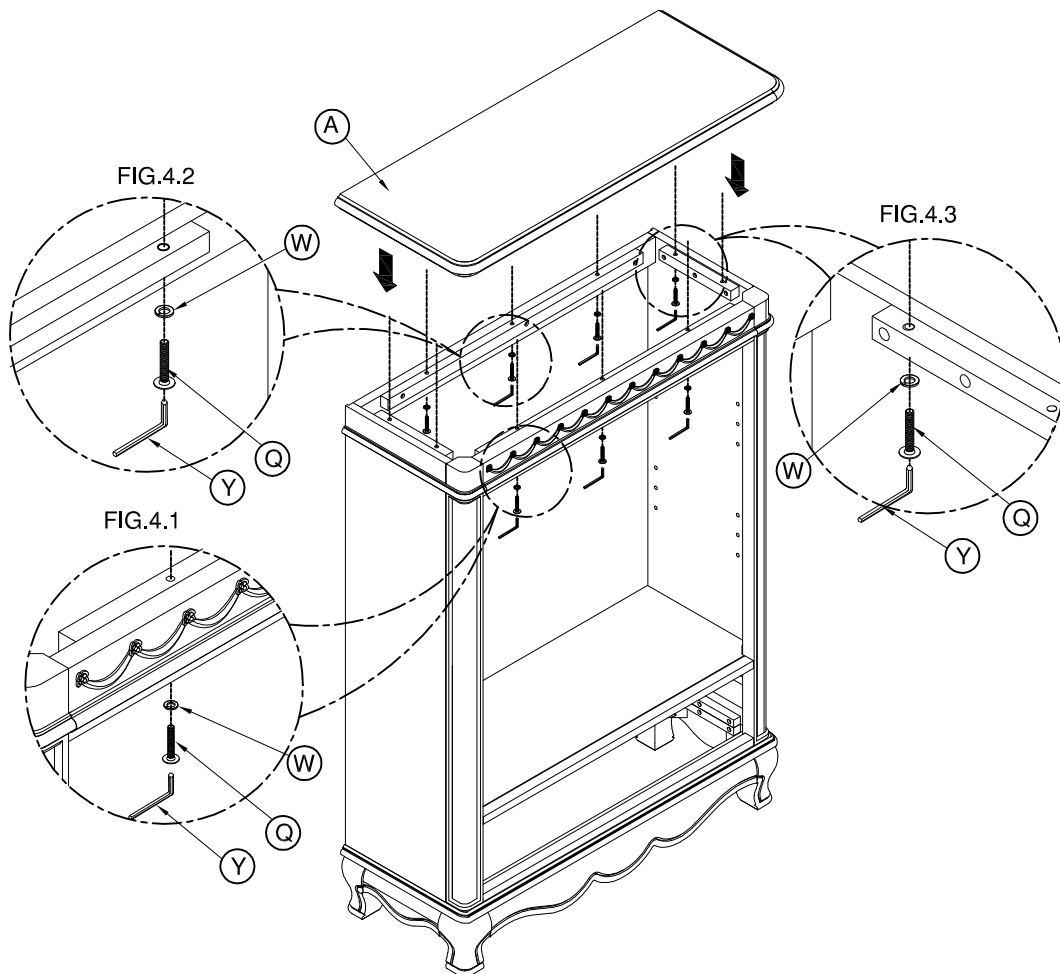
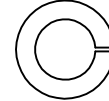
A.TOP (1 pc)
Y. Allen Key (1pc)



Q. Allen Bolt 1 1/2" (40 mm) (10 pcs)



W. Spring Washer (10 pcs)



A. First place the Top into its appropriate position

B. Insert the 10 (ten) Allen Bolts 1 1/2" (40 mm)(Q) and washers (W) first through the holes in the blocks on the inside edge of the upper frames and side panel, then into the threaded inserts in the top as shown in figure 4.1 ,4.2 and 4.3. Tighten all bolts with the Allen key (Y).

STEP 5 " ASSEMBLY OF ADJUSTABLE SHELF "

THIS STEP REQUIRES :

H. Adjustable Shelf (2 pcs)

T. Wood Screw 1/2" (12 mm) (8 pcs)

Philip Head Screw driver (unsupplied)



U. Adjust shelf (8 pcs)

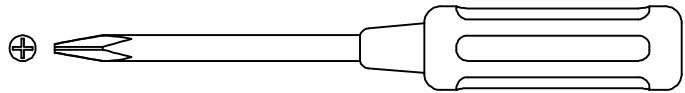
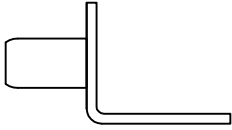
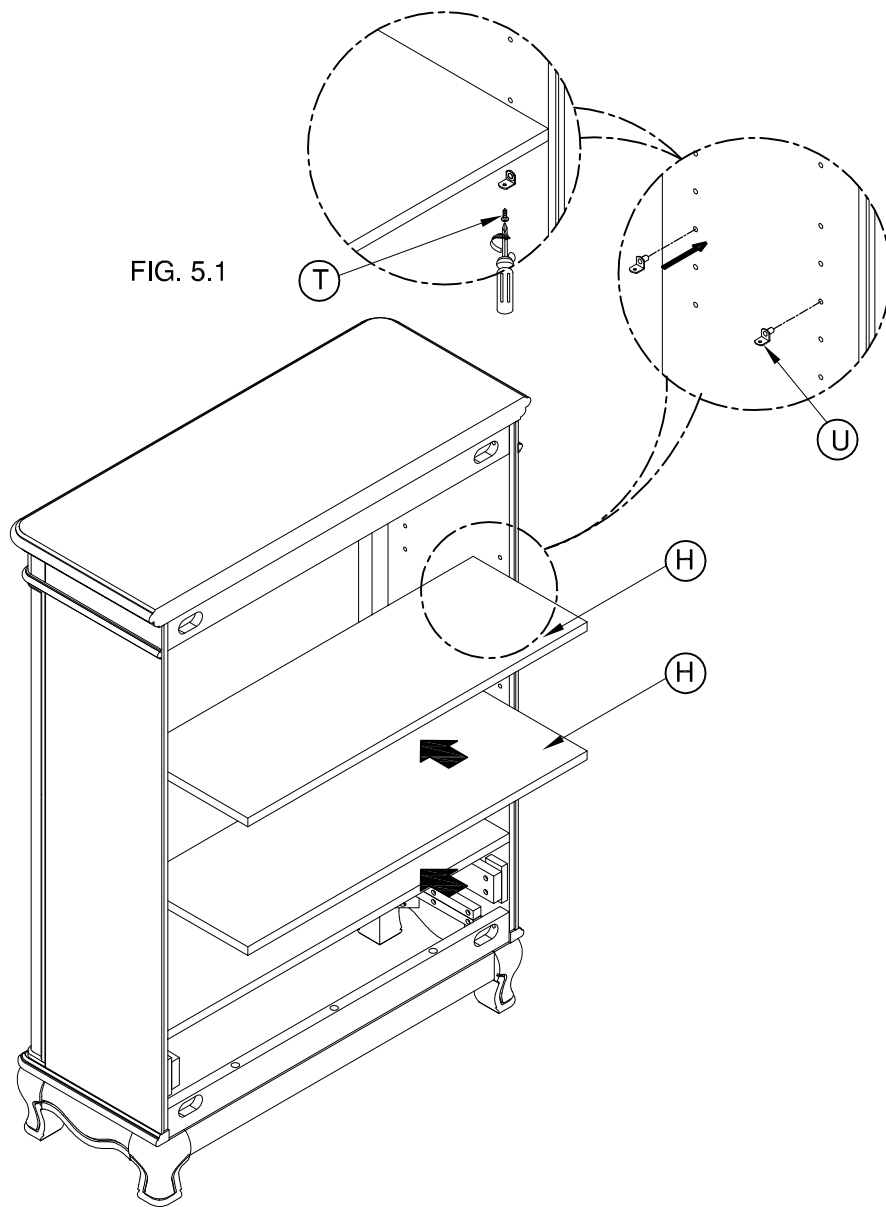


FIG. 5.1



A. Choose a desired shelf height position and insert the shelf pegs as shown in Figure 5.1.

B. Put the adjustable shelf (H) onto the shelf pegs.

C. Using a Phillips head screw driver, secure the adjustable shelf using wood screws (T).

STEP 6 " ASSEMBLY OF BACK PANEL "

THIS STEP REQUIRES :

E. BACK PANEL (1 pc)

S. Wood Screw 5/8" (15 mm) (27 pcs)

Philip Head Screw driver (unsupplied)

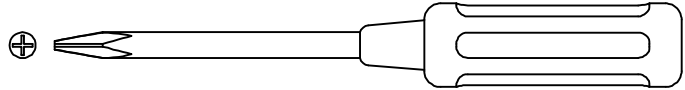
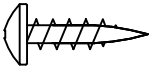
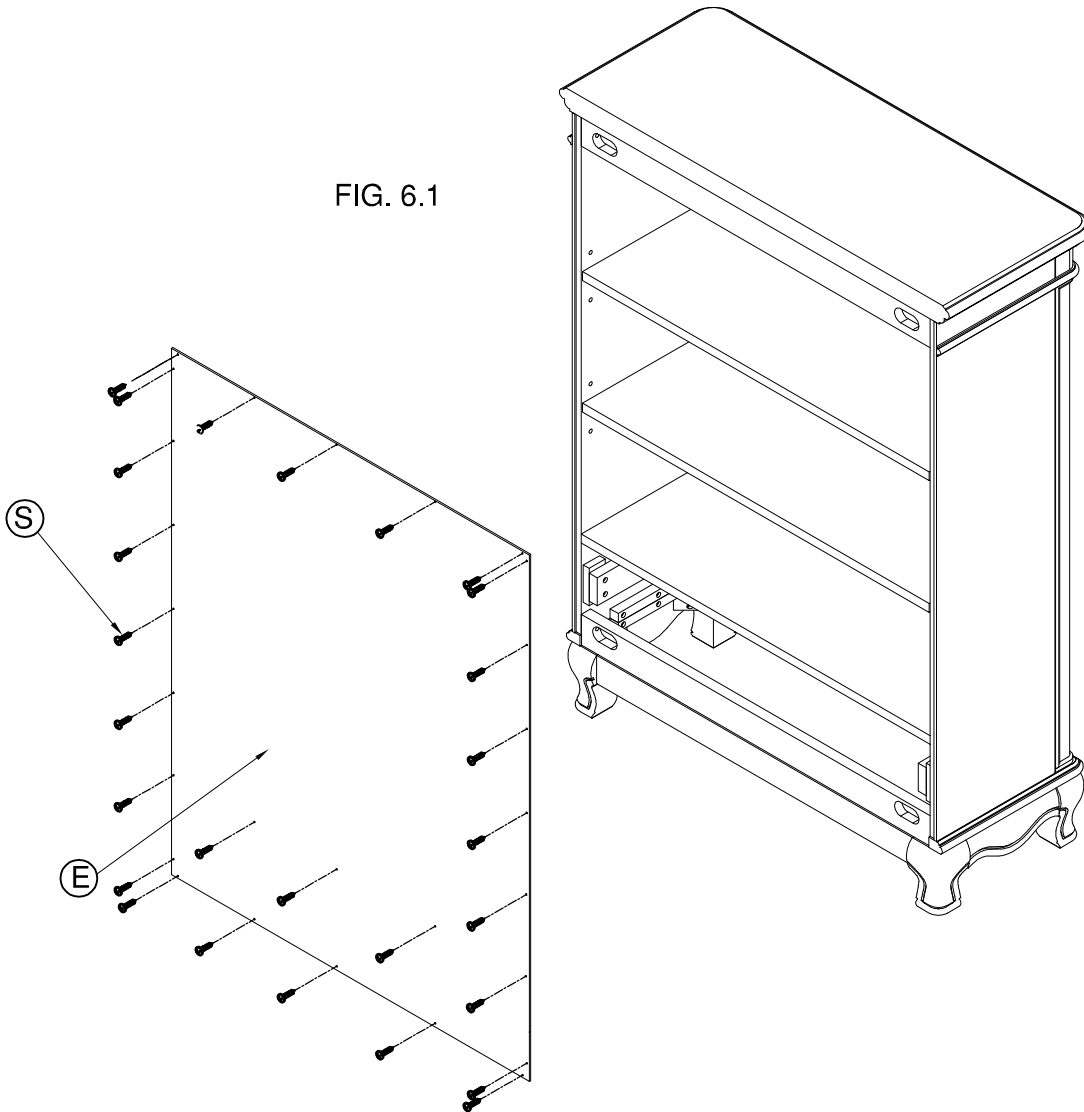


FIG. 6.1

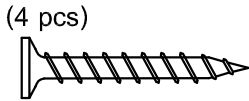


A. Using a Phillips head screw driver, attach the Back Panel (E) to the back of the book case using the 27 wood screws (S) as shown in figure 6.1.

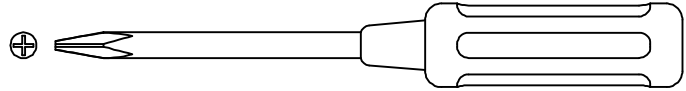
STEP 7 " ASSEMBLY OF DRAWER BOX"

THIS STEP REQUIRES :

- J.DRAWER FRONT (1pc) AA. Wood Screw Ø3 x 1 1/8" (30 mm) BB. Screw 3/4" (20 mm) (6 pc)
 K.SIDE DRAWER (2 pcs) (4 pcs)
 L.DRAWER BACK (1 pc)
 M.BOTTOM DRAWER (1 pc)
 N.BOTTOM DRAWER SUPPORT (1 pc)
 X. Plastic Nut (4 pcs)

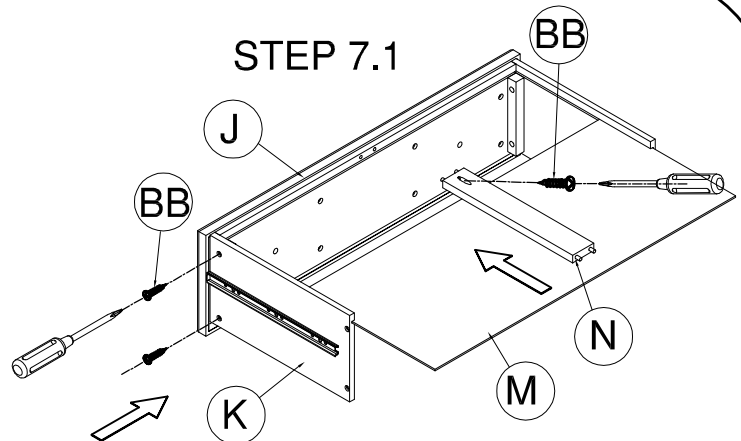


Philip Head Screw driver (unsupplied)

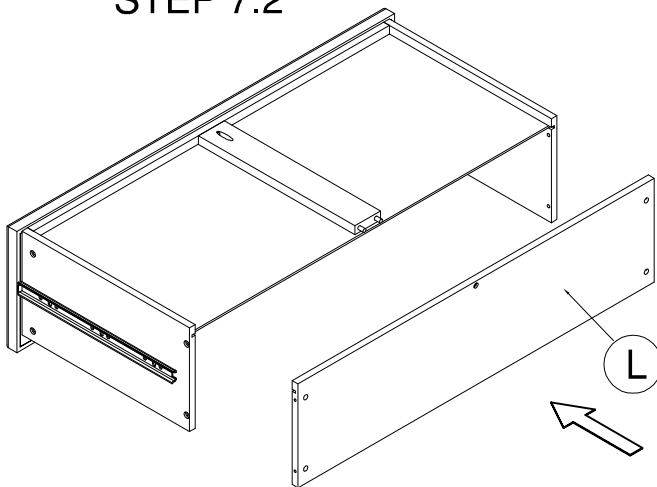


STEP 7.1

- First place the bottom drawer (M) and bottom drawer support (N) into its appropriate position.
- Using a Phillips head screw driver, attach the side drawer (K) to the drawer front (J) using the 4 screws (BB). And insert the screw (BB) to the drawer front. Tighten all screws with the Phillips head screw driver.



STEP 7.2



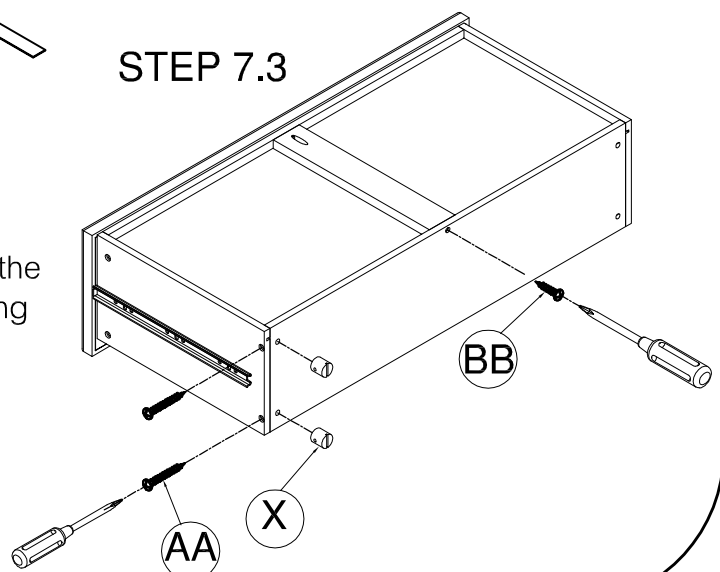
STEP 7.2

- First place the drawer back (L) into its appropriate position.

STEP 7.3

- Insert plastic nut (X) into holes in drawer back.
- Using a Phillips head screw driver, attach the drawer back (L) to the side drawer (K) using the 4 wood screws (AA).
- Insert the screw (BB) to the drawer back
- Tighten all screws with the Phillips head screw driver.

STEP 7.3



STEP 8 " INSTALL OF DRAWER BOX"

- STEP 1 : INSERT THE DRAWER BY PULLING TRACK ON LEFT AND RIGHT CABINET MEMBERS ALL THE WAY FORWARD (INCLUDING BALL BEARING RACK).
- STEP 2 : ALLIGN TRACKS ON DRAWER WITH SLIDER AND PUSH IN THE DRAWER UNTIL THERE IS AUDIBLE "CLICK" SOUND.
- STEP 3 : CHECK FOR PROPER ALLIGMENT BY INSPECTION THE DRAWER FRONT MARGINS FOR SPACING AND SQUARENESS.
OPEN AND CLOSE SLOWLY SEVERAL TIMES TO ENSURE THE PROPER INSTALLMENT.

