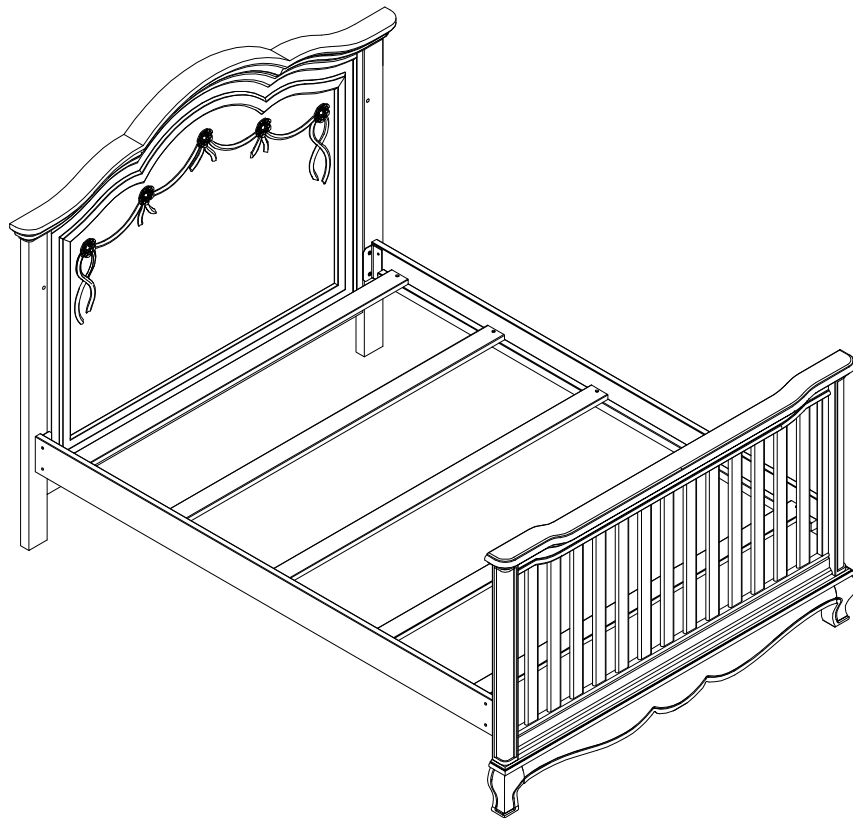


# ASSEMBLY INSTRUCTIONS

for Conversion Kit  
ADELINA  
Model # 22870



"THE PRODUCT IMAGES SHOWN ARE FOR ILLUSTRATION PURPOSES ONLY AND MAY NOT BE AN EXACT REPRESENTATION OF THE PRODUCT."



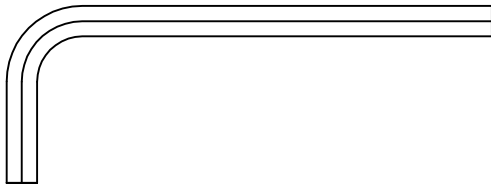
## WARNING

A mattress foundation must be used with these bed rails.

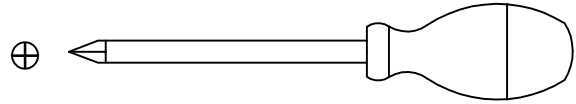
Carefully remove and lay out all parts. Familiarize yourself with all exhibits and diagrams to facilitate the assembly of your crib

**TOOLS REQUIRED :**

Allenkey (supplied )



Screw Driver (Unsupplied )

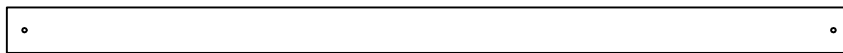


**PART ENCLOSED IN CARTON**

A. Rails (2 pcs )



B. Slat (5 pcs )

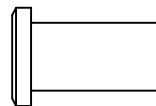


**HARDWARE**

J. Allenbolt 1 1/4" (32 mm ) (4 pcs)



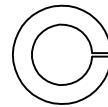
L. Nut 3/4" (20 mm) (6 pcs)



D. Allenbolt 3/4" (20 mm ) (4 pcs)



W. Spring Washer (8 pcs )



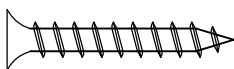
H. Allenbolt 1" (25 mm ) ( 2 pcs)



N. Allenkey ( 2 pcs ) (length may vary )



G. Screw 1 1/4" (30 mm ) (10 pcs)



Make sure the bolts are tightly locked against the washers during assembly.  
(Please add an extra 1/2 revolution to all the bolts when using spring washer after tightening)

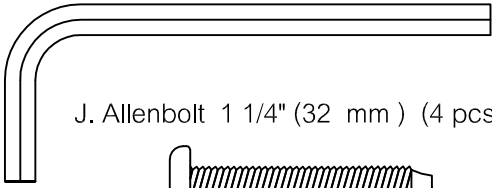
# STEP 1 " ASSEMBLY OF HEAD BOARD "

## THIS STEP REQUIRES :

Headboard (1 pc )

A. Rails (2 pcs )

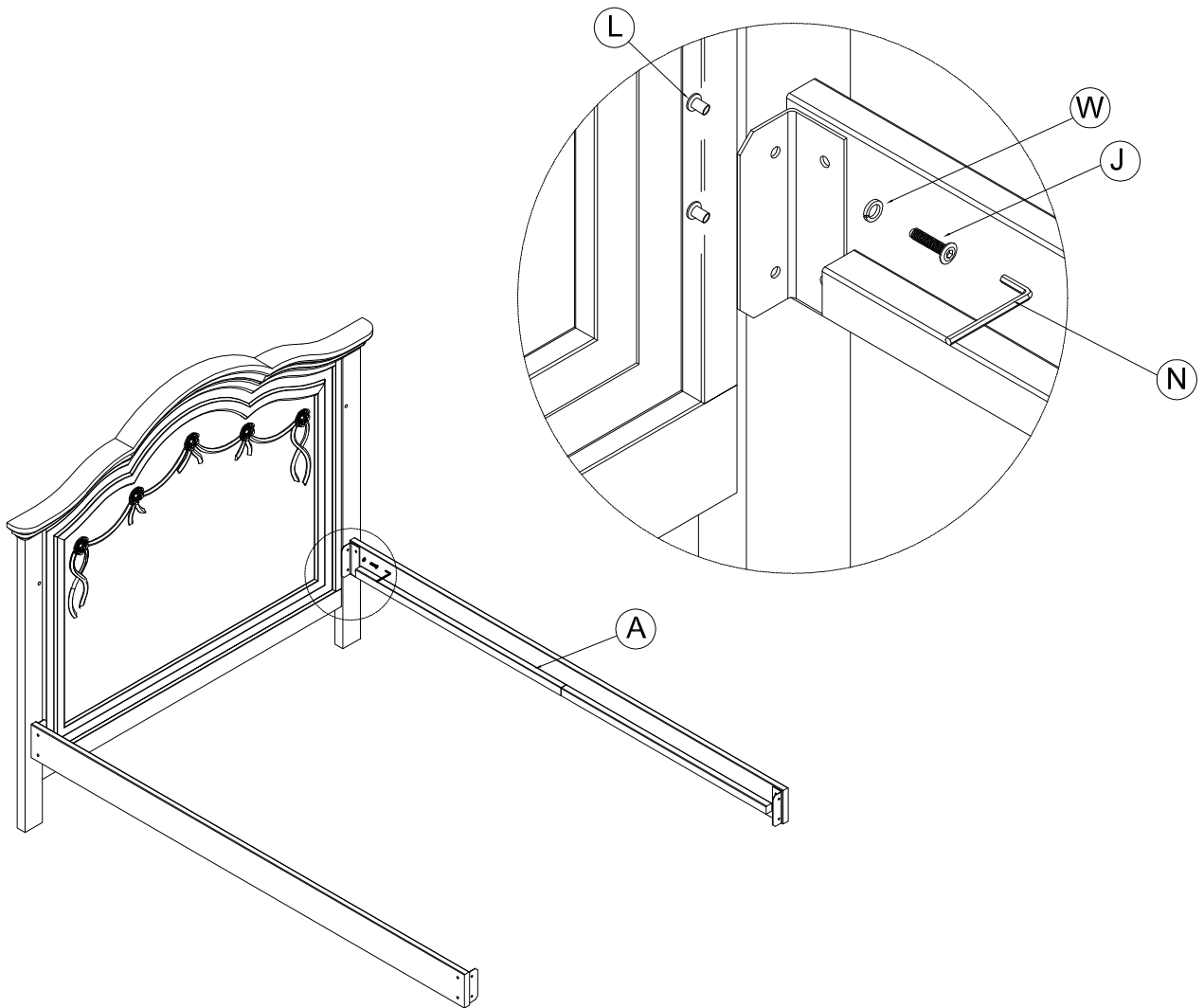
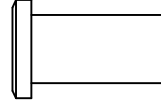
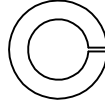
N. Allenkey (2 pcs )



J. Allenbolt 1 1/4" (32 mm ) (4 pcs )

W. Spring Washer (4 pcs )

L. Nut 3/4" (20 mm ) (4 pcs )



- Insert Allenbolt 1 1/4" (32 mm ) (J) with spring washer (W) through the metal bracket holes in the end of side rail through the top & bottom holes in headboard and connect with nut 3/4" (20 mm ) (L).  
Hand tighten only.

## STEP 2 " ASSEMBLY OF FOOTBOARD "

### THIS STEP REQUIRES :

Footboard (1 pc)

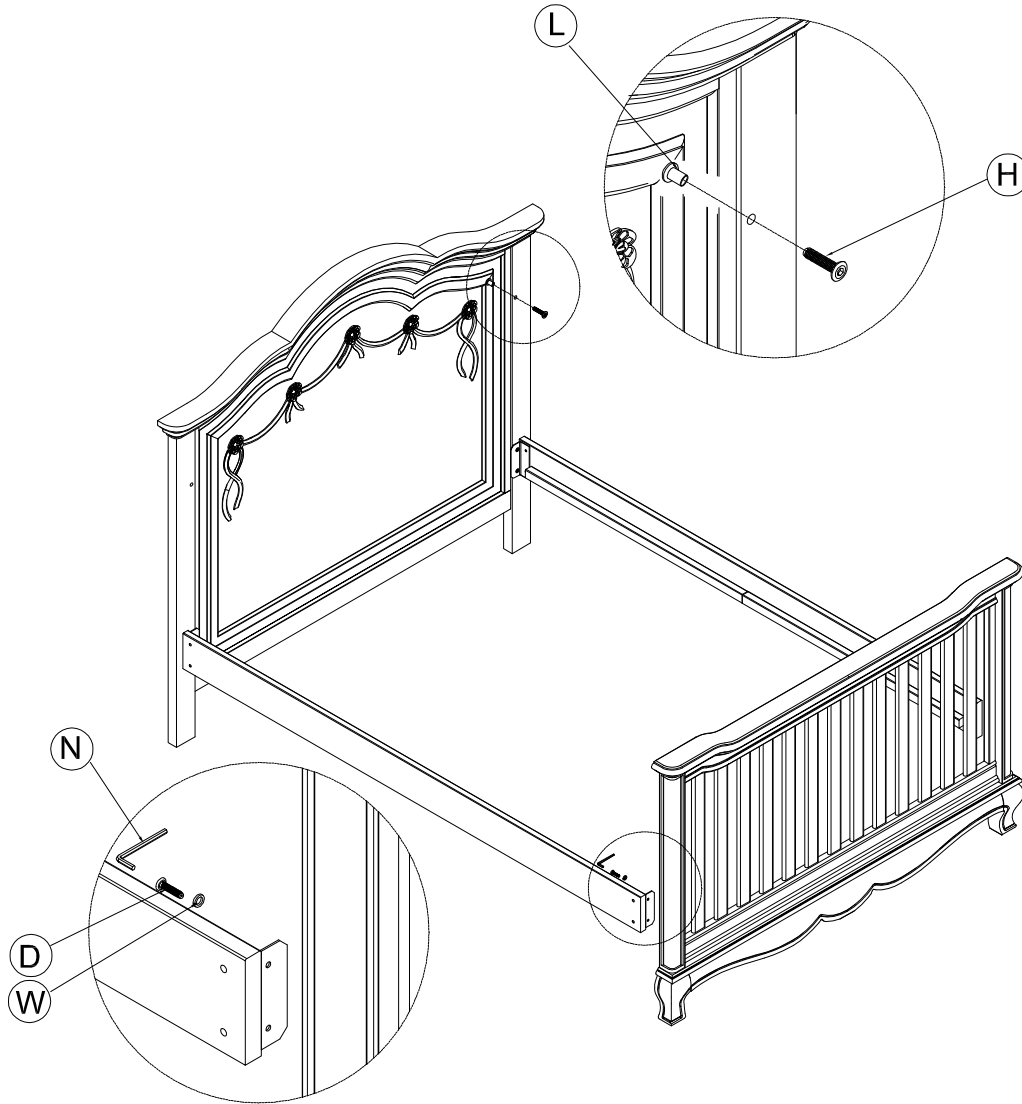
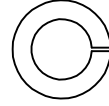
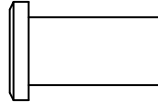
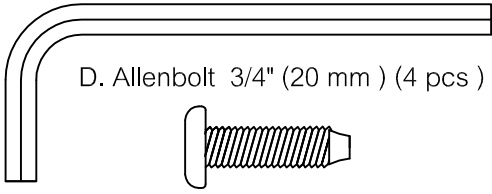
N. Allenkey (2 pcs)

H. Allenbolt 1" (25mm ) ( 2 pcs)

D. Allenbolt 3/4" (20 mm ) (4 pcs )

L. Nut 3/4" (20 mm ) (2 pcs )

W. Spring Washer (4 pcs )



- Insert Allenbolt 3/4" (20 mm) (D) with spring washer (W) through the metal bracket holes in the end of side rail through the threaded holes in the footboard.
- Tighten all bolts with allenkey (N).
- Insert Allenbolt 1" (25 mm) (H), through the top hole in the headboard from the inside and connect with nut 3/4" (20 mm) (L).  
Tighten all bolts and nuts with allenkey (N).

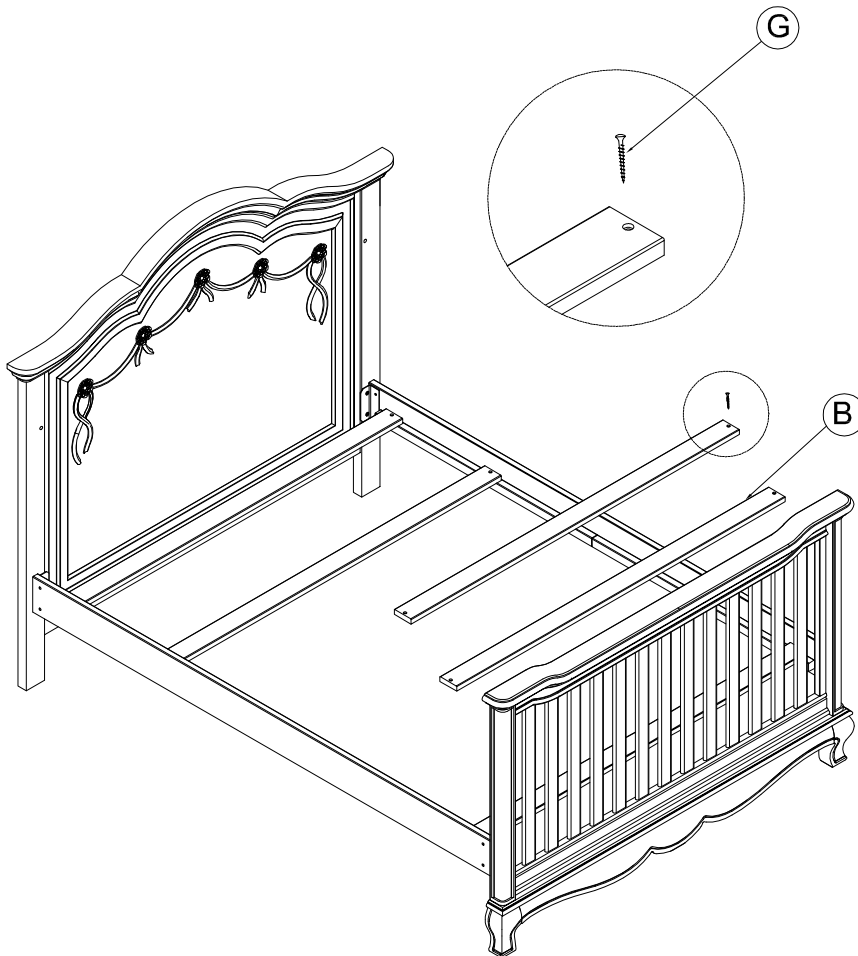
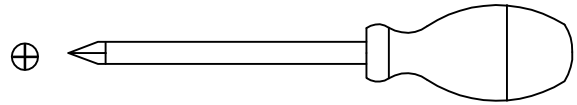
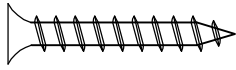
## STEP 3 " ASSEMBLY OF SLATS "

### THIS STEP REQUIRES :

B. Slats (5 pcs)

G. Screw 1 1/4 " (30 mm ) (10 pcs )

Screw Driver  
(Unsupplied )



- Install 5 pcs of slats (B) to the 2 pcs of side rail above the pre drilling holes.
- Insert 10 pcs of screw 1 1/4" (30 mm) (G) screws into the slats holes through side rail pre drilling holes. Hand tighten only
- After all 10 pcs of screw inserted, fasten with screw driver.