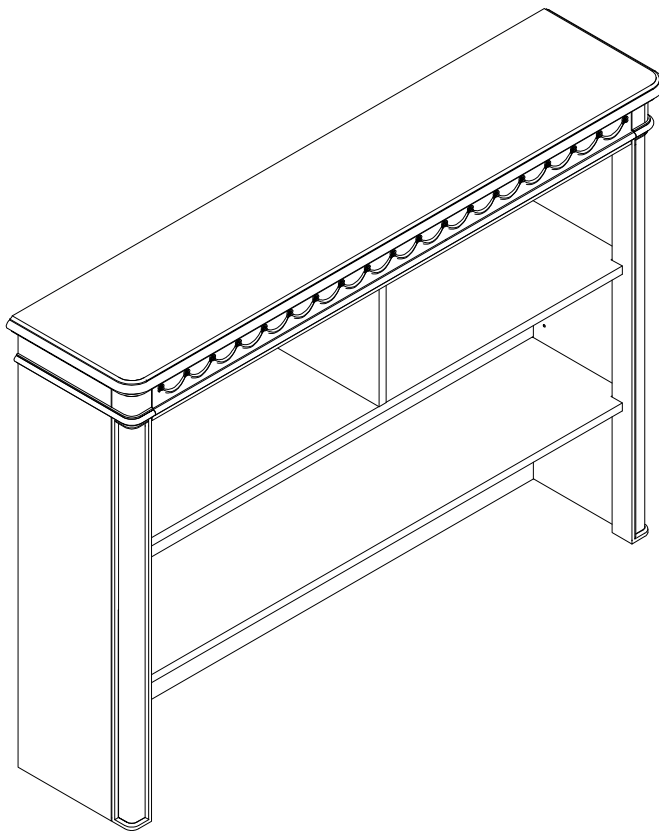


ASSEMBLY INSTRUCTIONS for HUTCH

ADELINA
Model # 22818



"THE PRODUCT IMAGES SHOWN ARE FOR ILLUSTRATION PURPOSES
ONLY AND MAY NOT BE AN EXACT REPRESENTATION OF THE PRODUCT."

Carefully remove and lay out all parts. Familiarize yourself with all exhibits and diagrams to facilitate the assembly of your Hutch

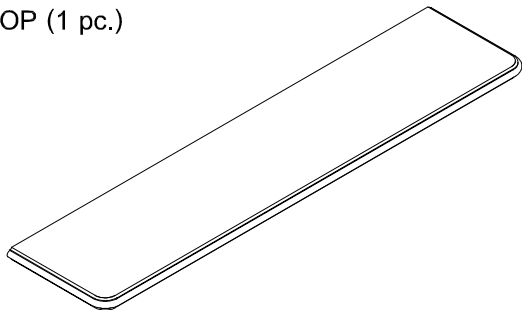
TOOLS REQUIRED :

Allenkey (supplied)

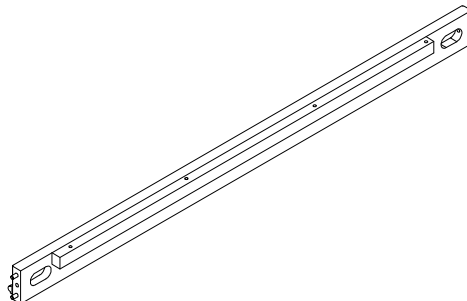
Philip Head Screw driver (unsupplied)

PART ENCLOSED IN CARTON

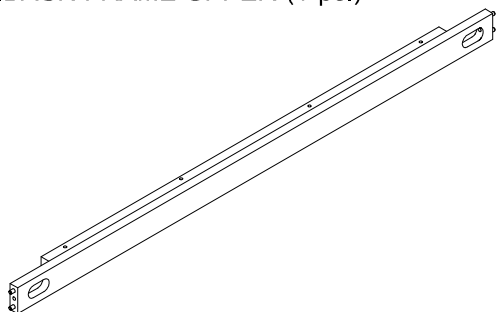
A .TOP (1 pc.)



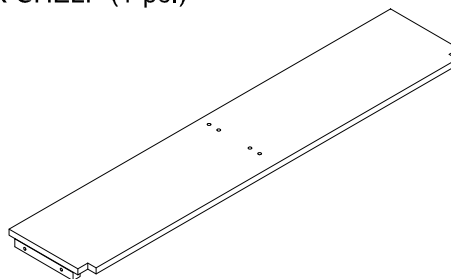
B.FRONT FRAME UPPER (1 pc.)



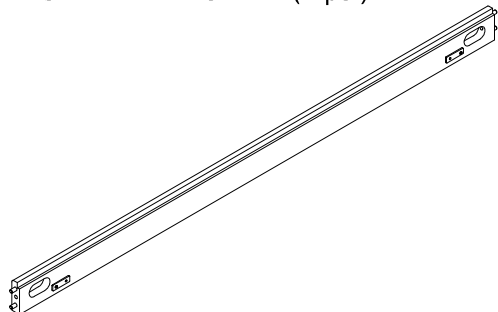
C.BACK FRAME UPPER (1 pc.)



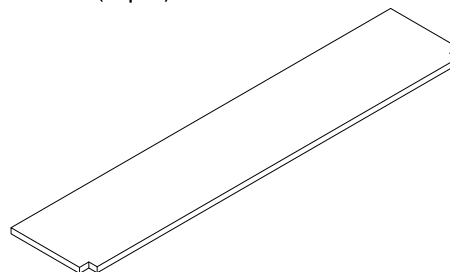
D.FIX SHELF (1 pc.)



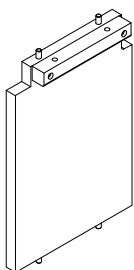
E.BACK FRAME LOWER (1 pc.)



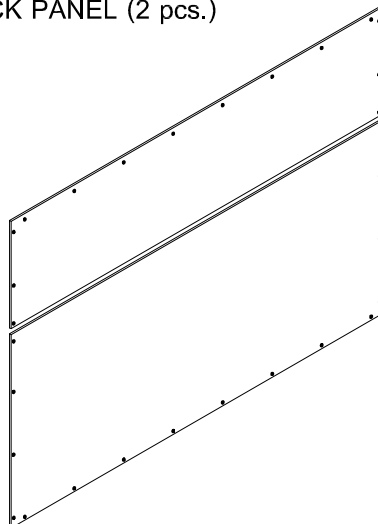
F. SHELF (1 pc.)



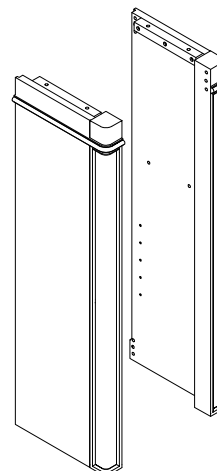
G.VERTICAL PANEL (1 pc.)



H.BACK PANEL (2 pcs.)

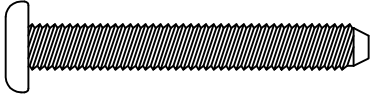


J.SIDE PANEL L-R (2 pcs.)

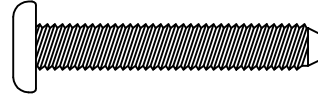


HARDWARE

K. Allen Bolt 1 3/4" (45 mm) (6 pcs.)



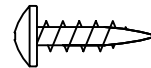
L. Allen Bolt 1 1/2" (40 mm) (16 pcs.)



M. Allen Bolt 1 1/4" (30 mm) (4 pcs.)



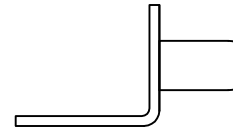
N. Wood Screw 5/8" (15 mm) (36 pcs.)



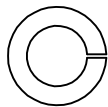
P. Wood Screw 1/2" (12 mm) (4 pcs.)



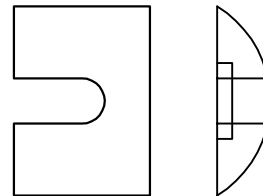
Q. ADJUST SHELF (4 pcs.)



R. Spring Washer (26 pcs.)



S. Curved Rectangular Plastic Washer (6 pcs.)



T. Allen Key (1 pc.) (Length may vary)



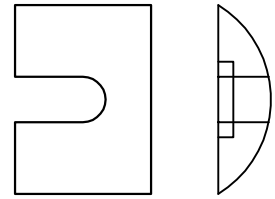
Make sure the bolts are tightly locked against the washers during assembly.
 (Please add an extra 1/2 revolution to all the bolts when using spring washer after tightening)

STEP 1 " ASSEMBLY OF SIDE PANEL & FRAME "

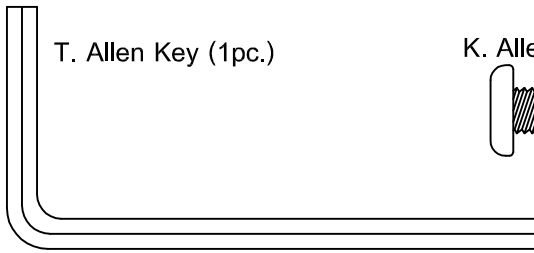
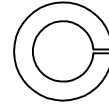
THIS STEP REQUIRES :

- B.FRONT FRAME UPPER (1 pc.)
- C.BACK FRAME UPPER (1 pc.)
- E.BACK FRAME LOWER (1 pc.)
- J.SIDE PANEL L-R (2 pcs.)

S.Curved Rectangular Plastic Washer (6 pcs.)

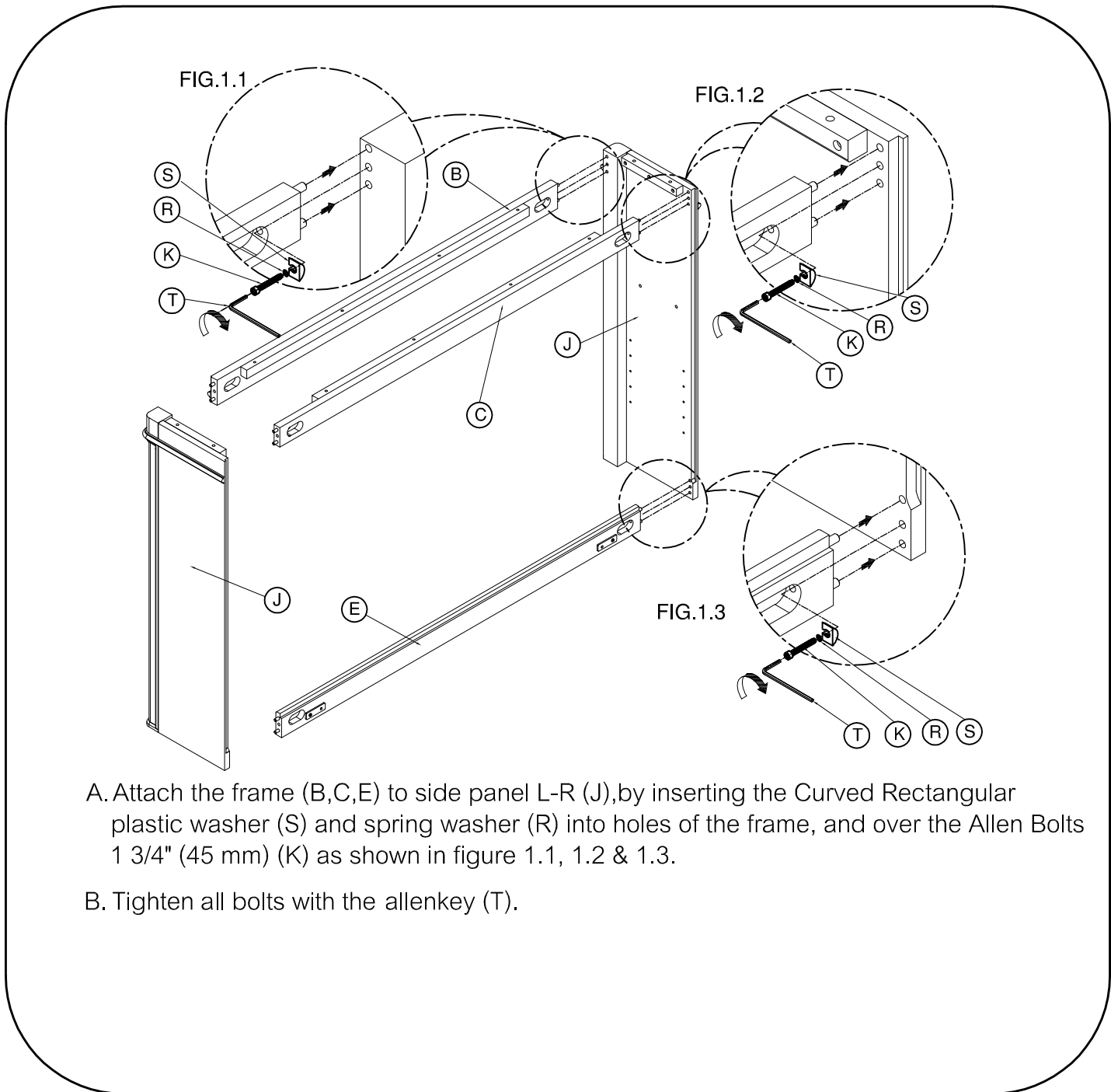
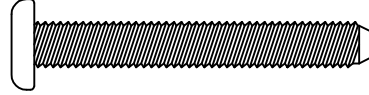


R. Spring Washer (6 pcs.)



T. Allen Key (1pc.)

K. Allen Bolt 1 3/4" (45 mm) (6 pcs.)



- A. Attach the frame (B,C,E) to side panel L-R (J),by inserting the Curved Rectangular plastic washer (S) and spring washer (R) into holes of the frame, and over the Allen Bolts 1 3/4" (45 mm) (K) as shown in figure 1.1, 1.2 & 1.3.
- B. Tighten all bolts with the allenkey (T).

STEP 2 " ASSEMBLY OF FIX SHELF "

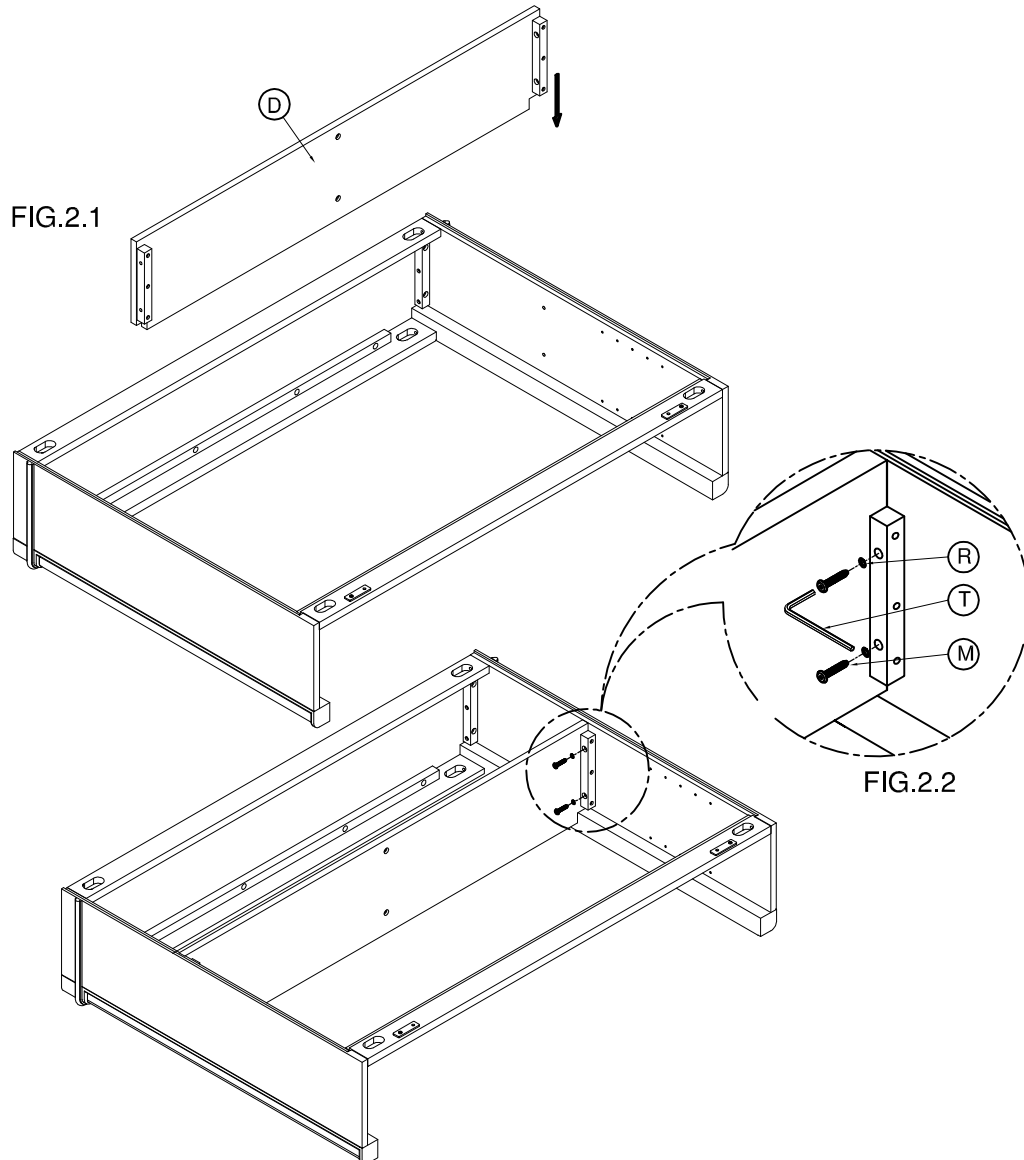
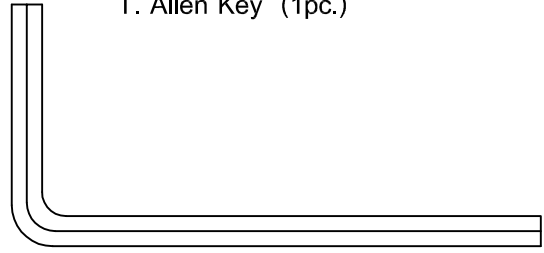
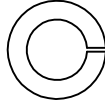
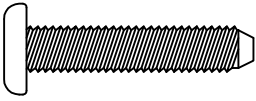
THIS STEP REQUIRES :

D. FIX SHELF (1pc.)

M. Allen Bolt 1 1/4" (30 mm) (4 pcs.)

R. Spring Washer (4 pcs.)

T. Allen Key (1pc.)



Place the stationary shelf into its appropriate position as shown in FIG.2.1. Insert the 4 Allen bolts 1 1/4" (30 mm) (M) and 4 spring washers (R) first through inside edge of the stationary shelf, then through the threaded inserts in the side panels as shown in figure 2.2. Tighten with Allen Key (T).

STEP 3 " ASSEMBLY OF VERTICAL PANEL "

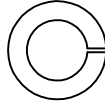
THIS STEP REQUIRES :

G. VERTICAL PANEL (1pc.)

L. Allen Bolt 1 1/2" (40 mm) (2 pcs.)



R. Spring Washer (2 pcs.)



T. Allen Key (1pc.)

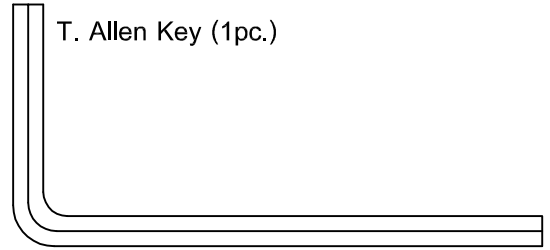


FIG.3.1

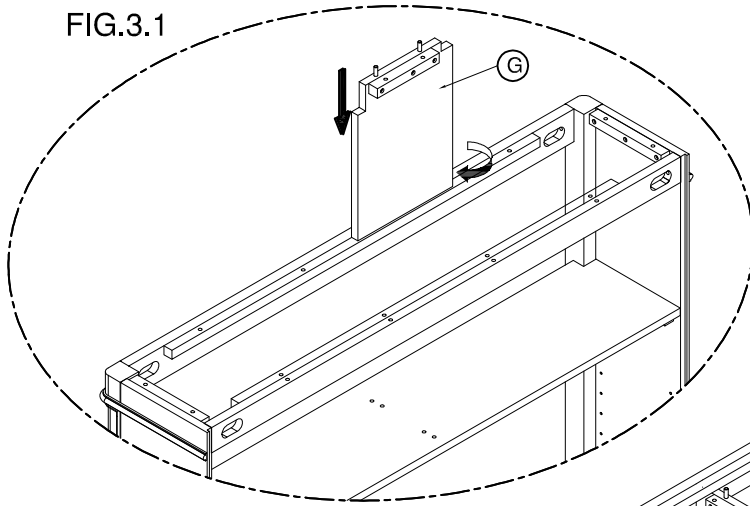
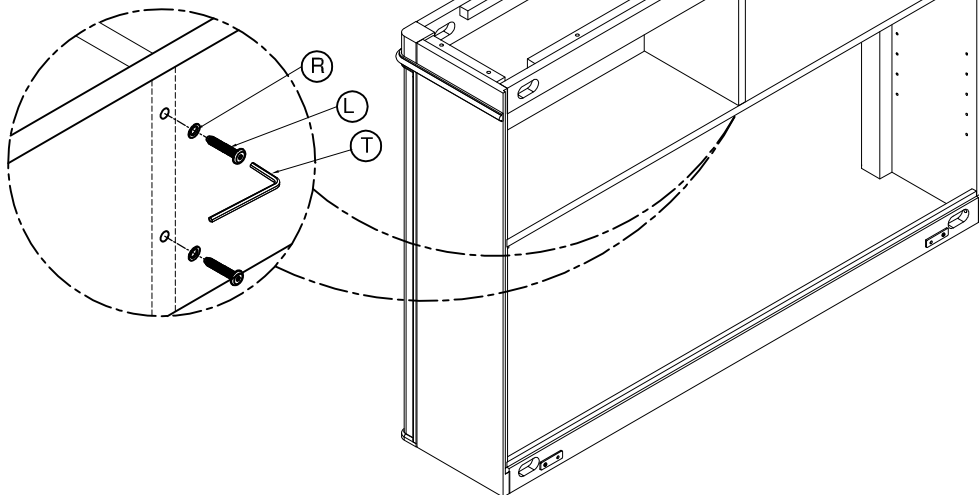


FIG.3.2

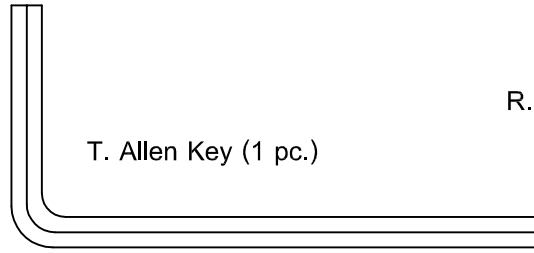
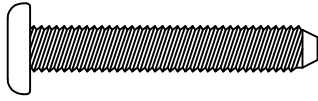


Place the vertical panel into its appropriate position on the Fixed shelf as shown in figure 3. 1. Insert the 2 Allen bolts 1 1/2" (40 mm) (L) and 2 spring washers (R) first through the threaded inserts in the stationary shelf, then through the vertical panel as shown in figure 3. 2. Tighten with Allen Key (T).

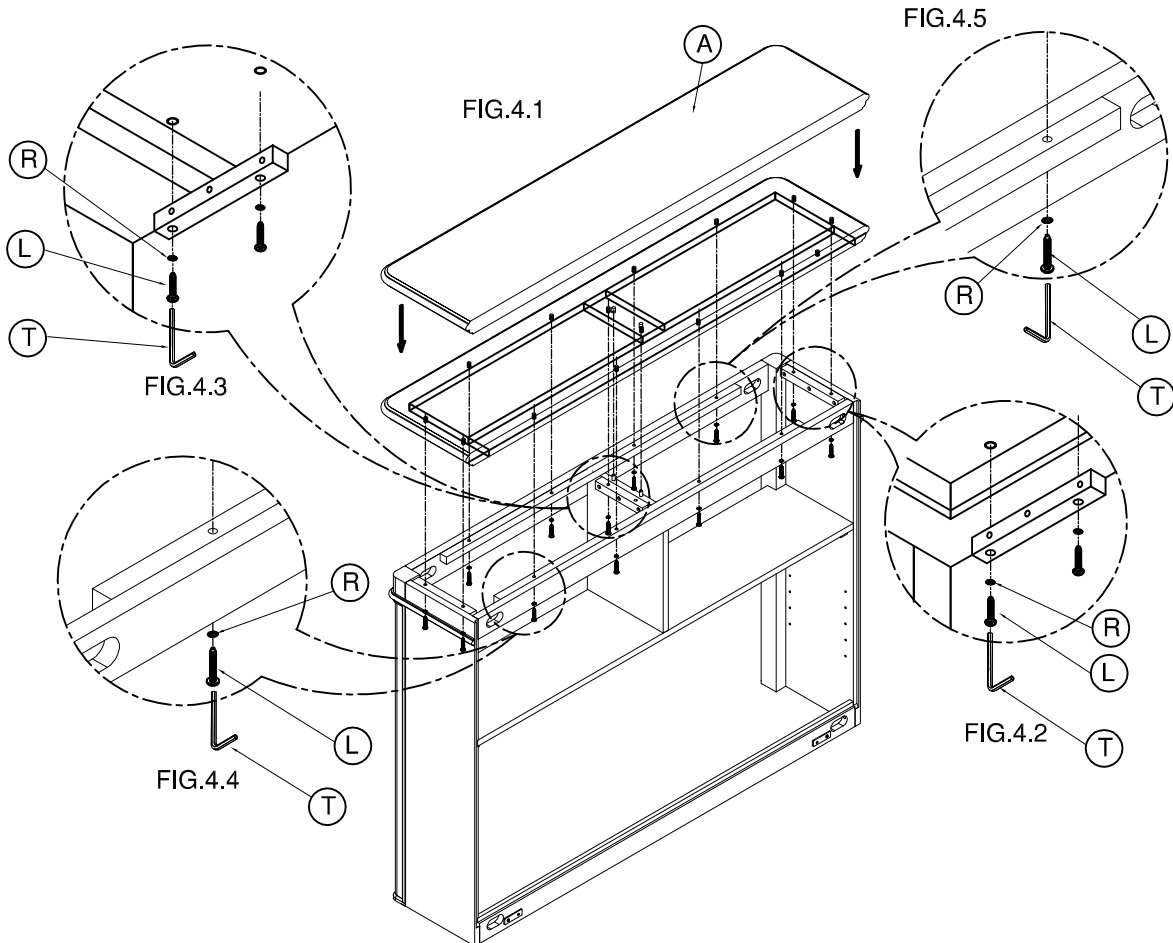
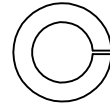
STEP 4 " ASSEMBLY OF TOP "

THIS STEP REQUIRES :

- A. TOP (1 pc.)
 L. Allen Bolt 1 1/2" (40 mm) (14 pcs.)



- R. Spring Washer (14 pcs.)



- First place the Top into its appropriate position on the sides and front panel assembly as shown in figure 4.1.
- Insert the 4 (four) Allen Bolts 1 1/2" (40 mm)(L) and washers (R) first through the holes in the blocks on the inside edge of the side panel L-R (J) then into the threaded inserts in the top as shown in figure 4.2. Tighten all bolts with the Allen key (T).
- Insert the 2 (two) Allen Bolts 1 1/2" (40 mm)(L) and washers (R) first through the holes in the blocks on the inside edge of the vertical panel (G) then into the threaded inserts in the top as shown in figure 4.3. Tighten all bolts with the Allen key (T).
- Insert the 8 (eight) allen bolt 1 1/2" (40 mm)(L) and washer (R) first through the holes in blocks on the inside edge of front frame upper (B) ,back frame upper (C), then into the threaded inserts in the top as shown in figure 4.4 & 4.5. Tighten all bolts with the Allen key (T).

STEP 5 " ASSEMBLY OF BACK PANEL "

THIS STEP REQUIRES :

H. BACK PANEL (2 pcs.)
N. Wood Screw 5/8" (15 mm) (36 pcs.)

Philip Head Screw driver (unsupplied)

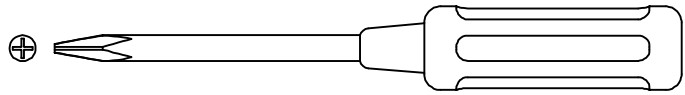
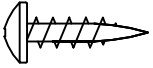


FIG.5.1

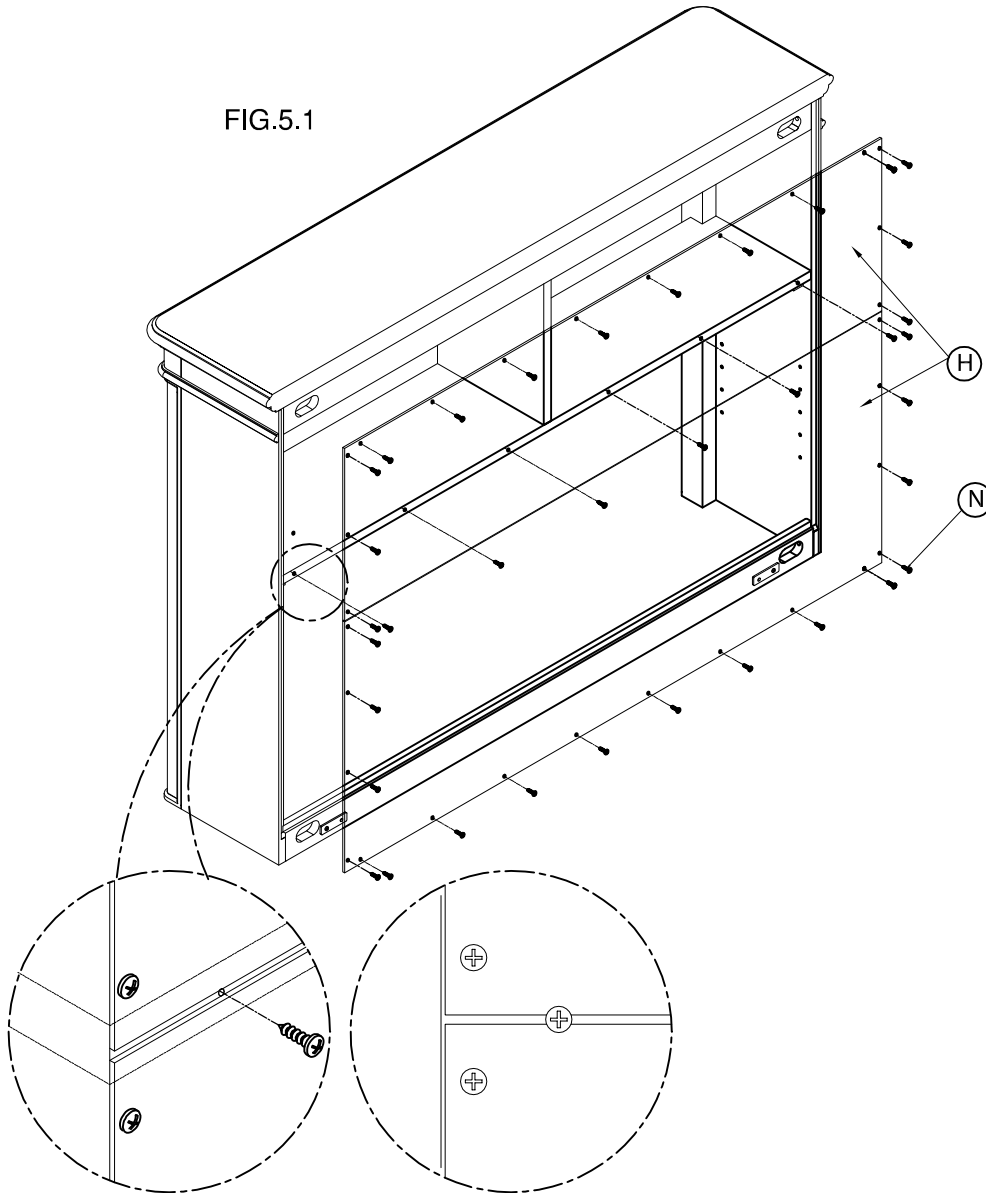


FIG.5.2

FIG.5.3

A. Using a Phillips head screw driver, attach the Back Panel (H) to the back of the Hutch using the 36 wood screws (N) as shown in FIG.5.1.

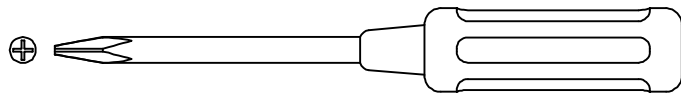
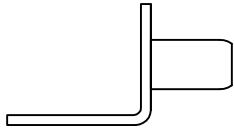
B. Make sure the screws are attached in between top and bottom panel into the predrilled holes provided (on the back of the shelf). Please see FIG.5.2 and Fig.5.3.

STEP 6 " ASSEMBLY OF ADJUSTABLE SHELF "

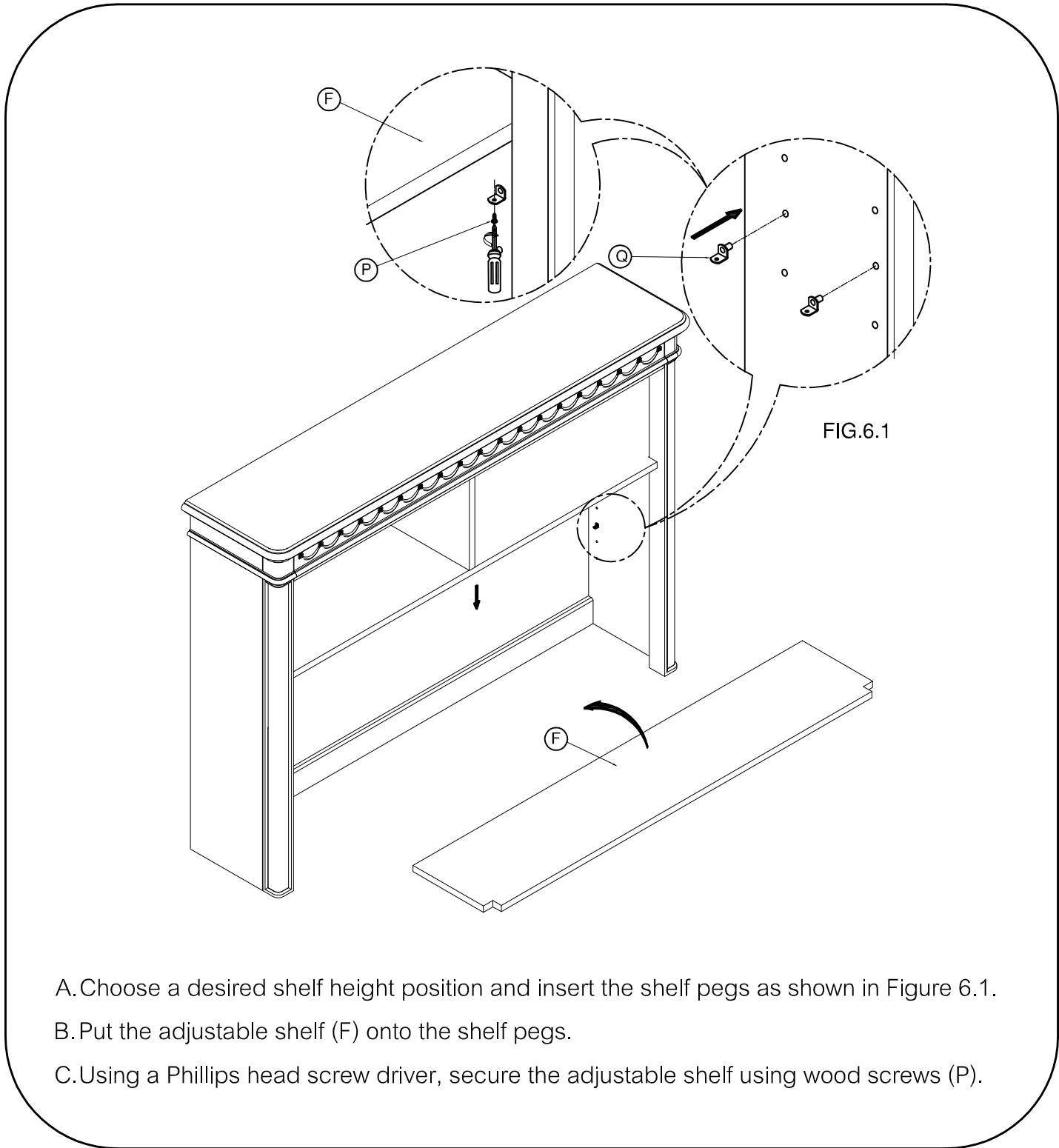
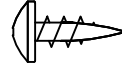
THIS STEP REQUIRES :

- F. SHELF (1 pc.)
- Q. ADJUST SHELF (4 pcs.)

Philip Head Screw driver (unsupplied)



P. Wood Screw 1/2" (12 mm) (4 pcs.)



- A. Choose a desired shelf height position and insert the shelf pegs as shown in Figure 6.1.
- B. Put the adjustable shelf (F) onto the shelf pegs.
- C. Using a Phillips head screw driver, secure the adjustable shelf using wood screws (P).