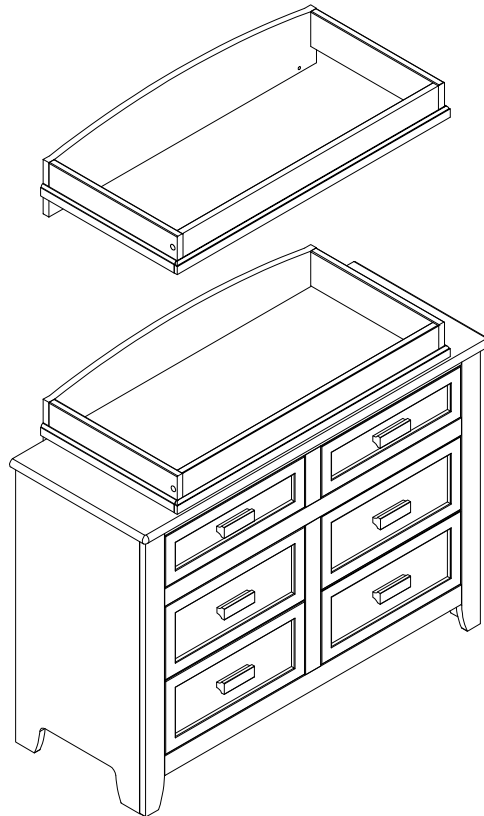


# ASSEMBLY INSTRUCTIONS for Changing Station

COLLINS  
Model # 23865

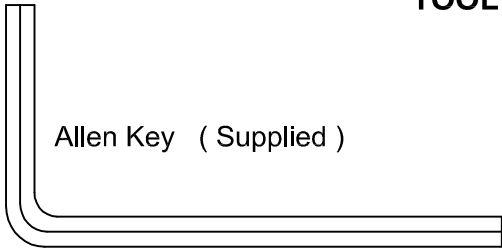


NOTE : - ATTACH CHANGING STATION TO DRESSER

**"THE PRODUCT IMAGES SHOWN ARE FOR ILLUSTRATION PURPOSES ONLY AND MAY NOT BE AN EXACT REPRESENTATION OF THE PRODUCT."**

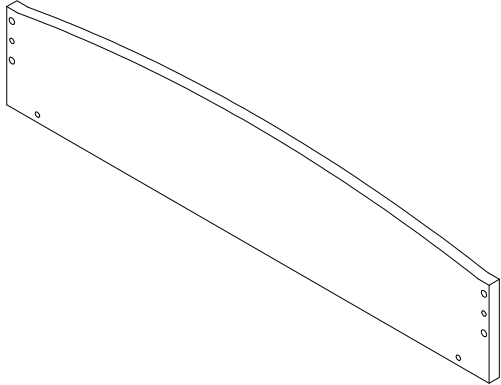
Carefully remove and lay out all parts. Familiarize yourself with all exhibits and diagrams to facilitate the assembly of your Changing Station

**TOOL REQUIRED :**

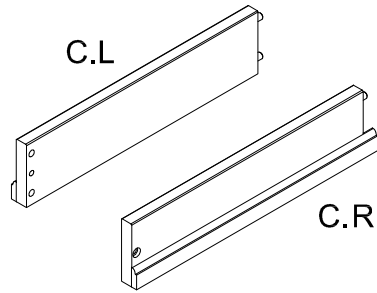


**PARTS ENCLOSED IN CARTON**

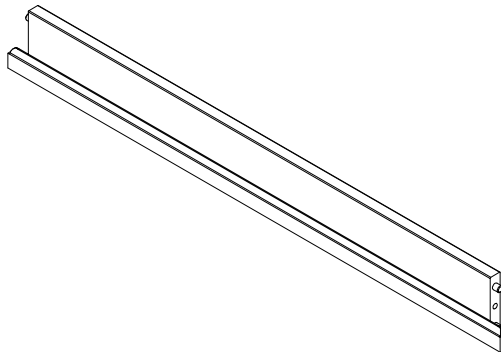
A. Back piece ( 1 pc )



C. Side Piece L - R ( 2 pcs )



B. Front piece ( 1 pc )

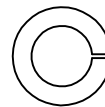


**HARDWARE**

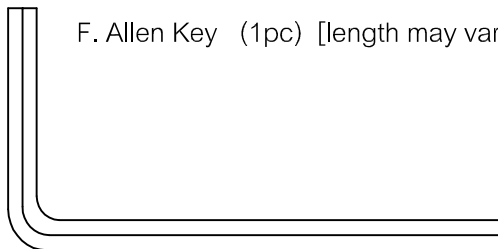
D. Allenbolt 1 3/8" [35 mm] (6 pcs)



W. Spring Washer (6 pcs)



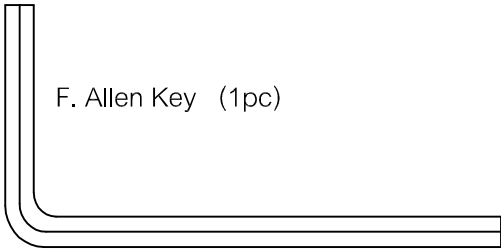
F. Allen Key (1pc) [length may vary]



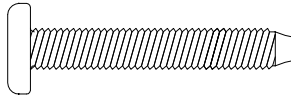
# STEP 1 " ASSEMBLY OF CHANGING STATION "

## THIS STEP REQUIRES :

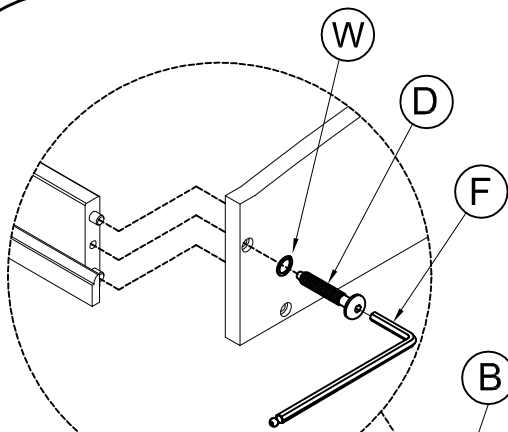
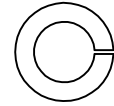
- A. Back piece ( 1 pc )
- B. Front piece ( 1 pc )
- C. Side Piece (C.L & C.R) ( 2 pcs )



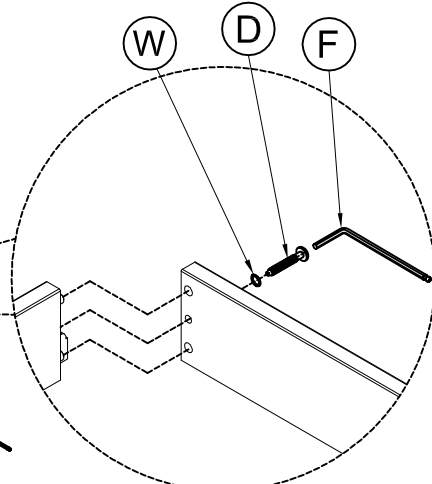
D. Allenbolt 1 3/8" [35 mm] ( 4 pcs)



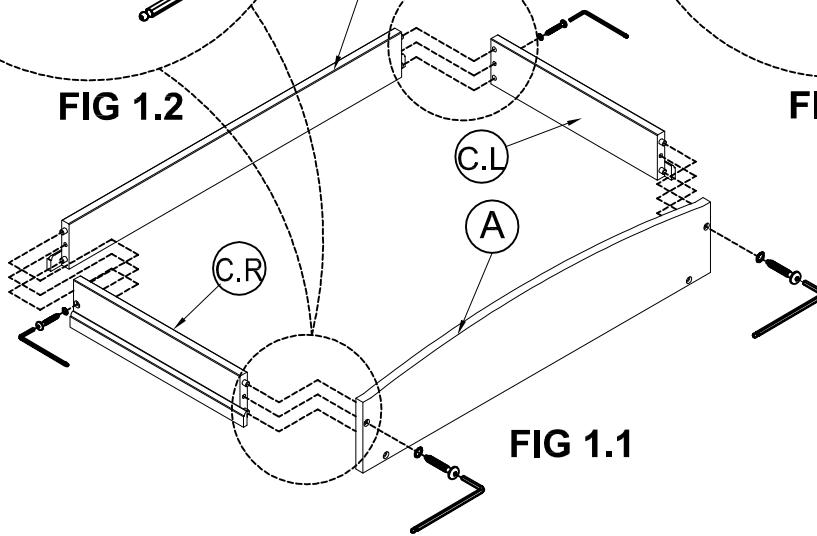
W. Spring Washer ( 4 pcs)



**FIG 1.2**



**FIG 1.3**

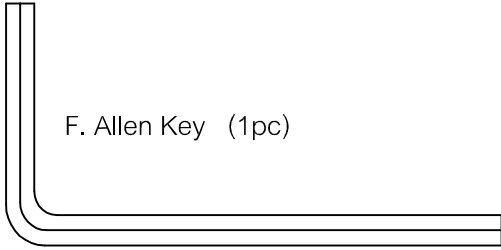


**FIG 1.1**

- Place all pieces into its appropriate position ,as shown in FIG 1.1.
- Connect back pieces (A) to the side piece (C.L & C.R) using (2 pcs) allenbolt 1 3/8" (35 mm) (D), spring washer (W) as shown in FIG 1.2.
- Connect front pieces (B) to the side piece (C.L & C.R) using (2 pcs) allenbolt 1 3/8" (35 mm) (D), spring washer (W) as shown in FIG 1.3.
- Tighten all bolts with allenkey (F) .

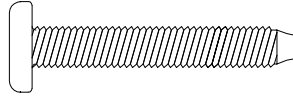
## STEP 2 " CHANGING STATION INSTALLATION "

THIS STEP REQUIRES :

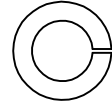


F. Allen Key (1pc)

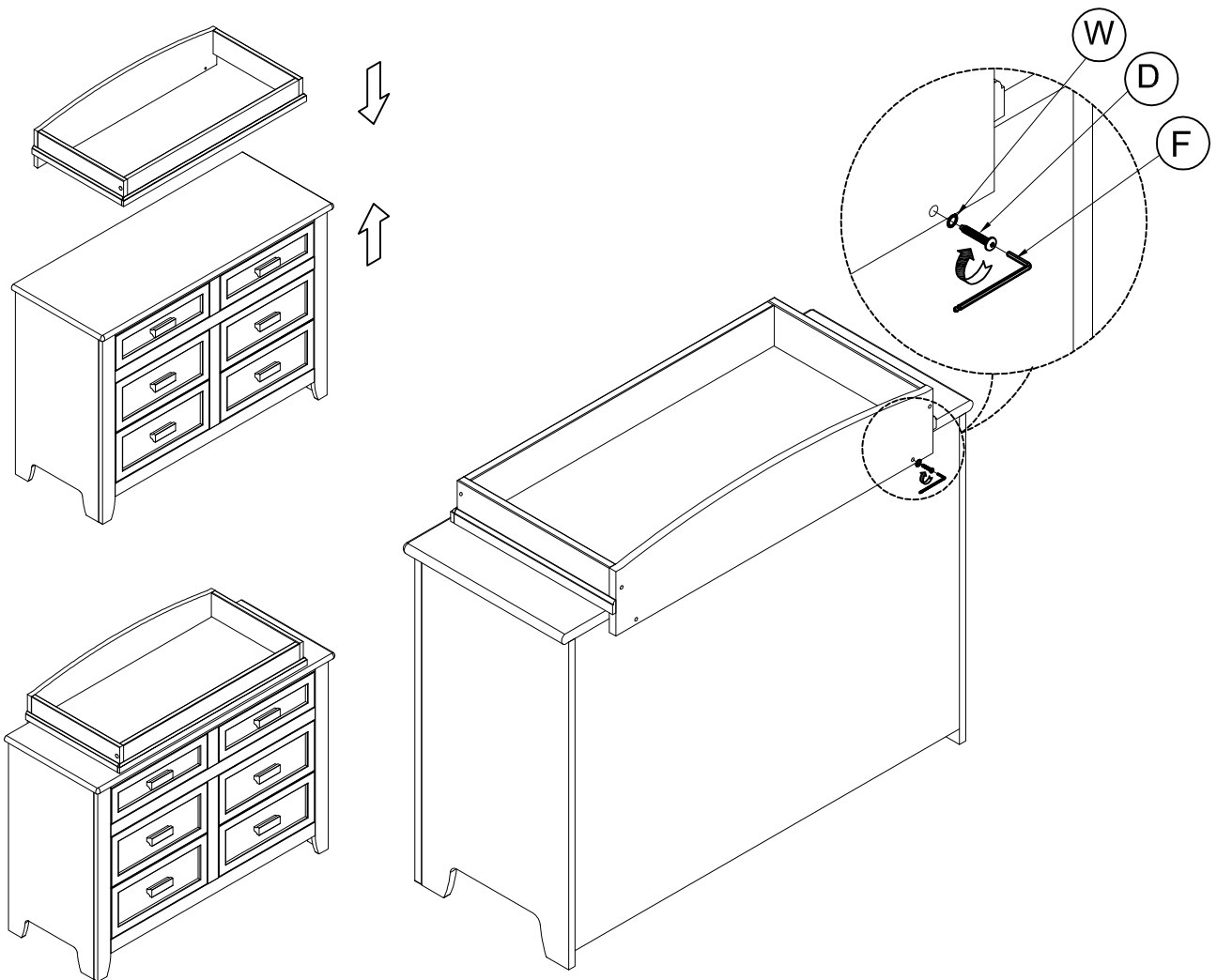
D. Allenbolt 1 3/8" [35 mm] (2 pcs)




W. Spring Washer (2 pcs)



- Place the changing station on the top of the dresser. The holes in back side should be below the dresser top surface. (see diagram).
- Insert the allenbolt (D) and spring washer (W) into the back of the changing station and dresser tighten with allenkey. Check to see that the Changing Station is secure.



NOTE : - ATTACH CHANGING STATION TO DRESSER

 **“CAUTION: ANY PAD USED IN THIS CHANGING STATION MUST BE AT LEAST 16 INCHES BY 32 INCHES (41 CM X 81 CM) WITH A THICKNESS NOT EXCEEDING 1 INCH (2.54 CM).”**

 **WARNING!** FOR CHANGING STATION USE

- READ ALL INSTRUCTIONS BEFORE ASSEMBLING AND USE OF THE CHANGING STATION.

**KEEP INSTRUCTIONS FOR FUTURE USE.**

- FAILURE TO FOLLOW THESE WARNINGS AND THE ASSEMBLY INSTRUCTIONS COULD RESULT IN SERIOUS INJURY OR DEATH.
- **CAUTION** : THE PAD INTENDED FOR USE ON THE CHANGING STATION SHALL HAVE MINIMUM DIMENSIONS OF 16 INCHES BY 32 INCHES (41 CM X 81 CM) WITH A THICKNESS NOT EXCEEDING 1 INCH (2.54 CM).
- THE MAXIMUM WEIGHT SHALL NOT BE GREATER THAN 30 LB (13.6 KG).
- DO NOT USE CHANGING STATION IF IT IS DAMAGED OR BROKEN.
- PLEASE CLEAN THE CHANGING STATION WITH A DRY CLOTH AND USE MILD WOOD POLISH IF REQUIRED.

 **WARNING**

**FALL HAZARD** : CHILDREN HAVE SUFFERED SERIOUS INJURIES AFTER FALLING FROM CHANGING TABLES. FALLS CAN HAPPEN QUICKLY.

- **STAY** IN ARM'S REACH OF YOUR CHILD.
- **ALWAYS** SECURE THIS UNIT TO THE SUPPORT SURFACE BY ATTACHING IT USING THE BOLTS PROVIDED. SEE INSTRUCTIONS.
- SECURE THE CHANGING STATION ONLY TO COLLINS DRESSER MODEL# 23806.
- THE MAXIMUM WEIGHT SHALL NOT BE GREATER THAN 30 LB (13.6 KG).