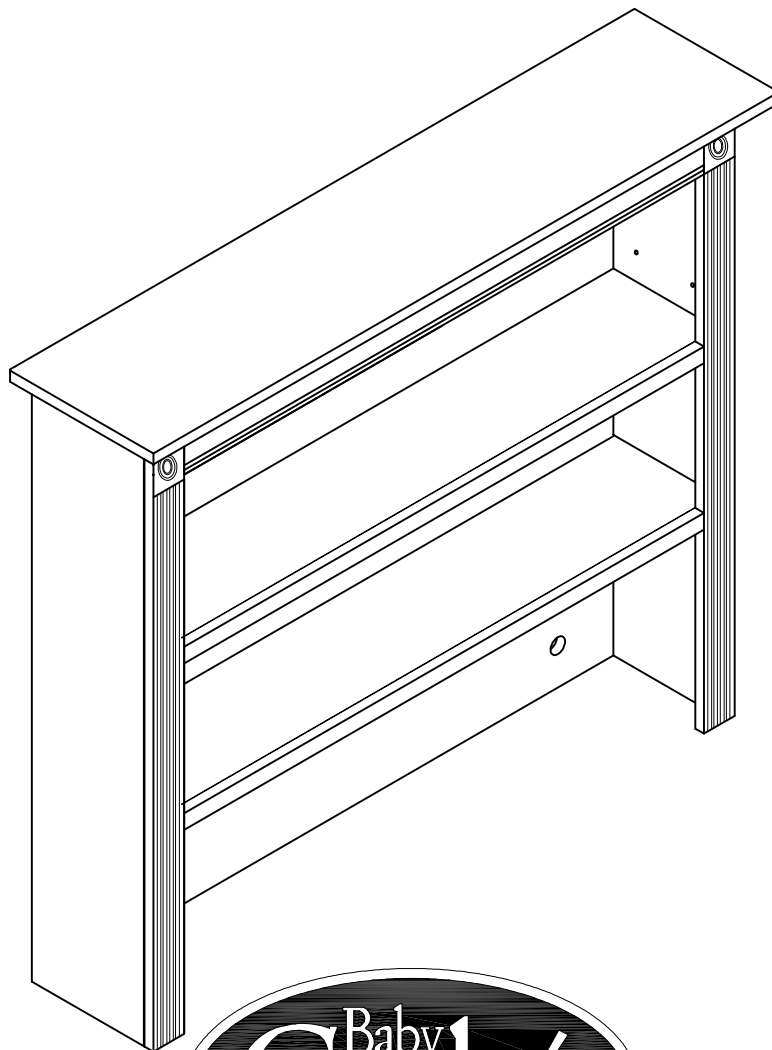


ASSEMBLY INSTRUCTIONS
for HUTCH
MONTANA
Model # 2918



"THE PRODUCT IMAGES SHOWN ARE FOR ILLUSTRATION PURPOSES ONLY AND MAY NOT BE AN EXACT REPRESENTATION OF THE PRODUCT."

Carefully remove and lay out all parts. Familiarize yourself with all exhibits and diagrams to facilitate the assembly of your Hutch

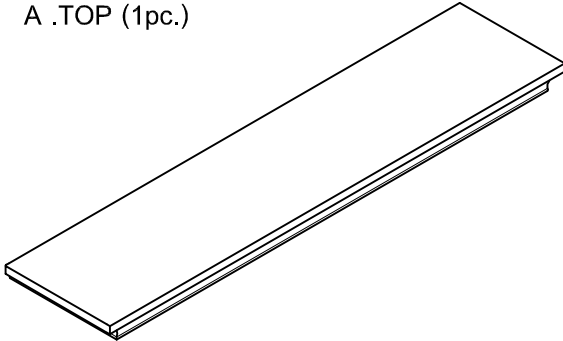
TOOLS REQUIRED :

Allenkey (supplied)

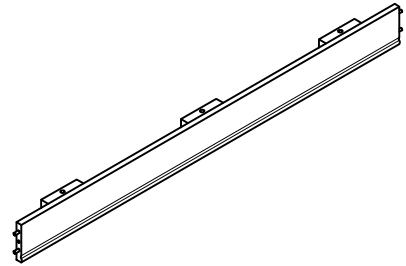
Philip Head Screw driver (unsupplied)

PART ENCLOSED IN CARTON

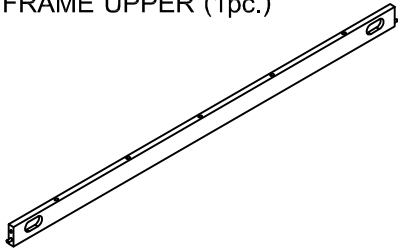
A .TOP (1pc.)



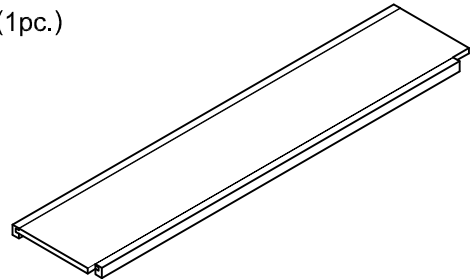
B.FRONT FRAME UPPER (1pc.)



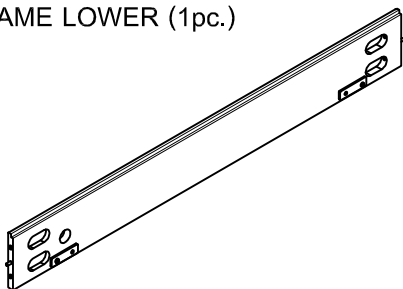
C.BACK FRAME UPPER (1pc.)



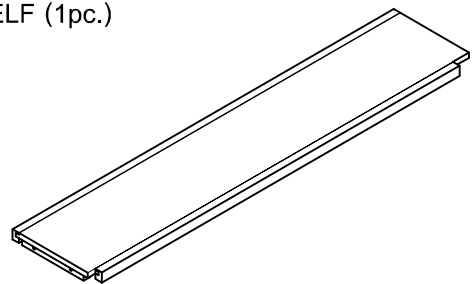
D.SHELF (1pc.)



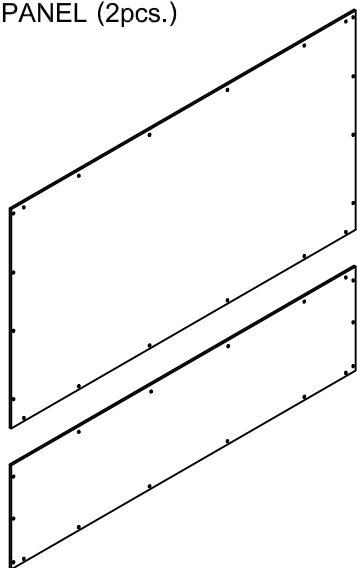
E.BACK FRAME LOWER (1pc.)



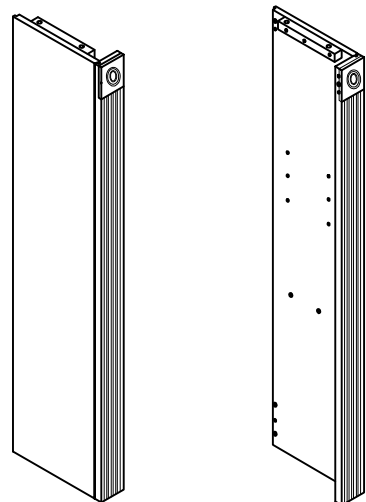
F.FIX SHELF (1pc.)



G.BACK PANEL (2pcs.)

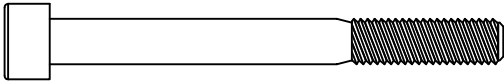


H.SIDE PANEL L-R (2pcs.)

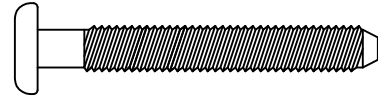


HARDWARE

I. Allen Bolt 2 3/8" (60 mm) (8 pcs.)



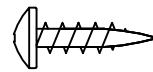
J. Allen Bolt 1 3/4" (45 mm) (5 pcs.)



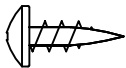
K. Allen Bolt 1 1/4" (30 mm) (11 pcs.)



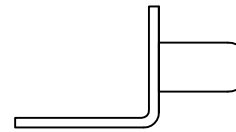
L. Wood Screw 5/8" (15 mm) (38 pcs.)



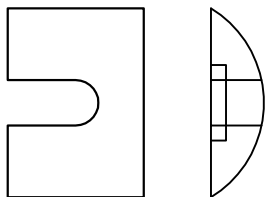
M. Wood Screw 1/2" (12 mm) (4 pcs.)



N. ADJUST SHELF (4 pcs.)



O. Curved Rectangular Plastic Washer (8 pcs.)



P. Spring Washer (16 pcs.)



Q. Allen Key#4 (1 pc.)



R. Allen Key#5 (1 pc.)

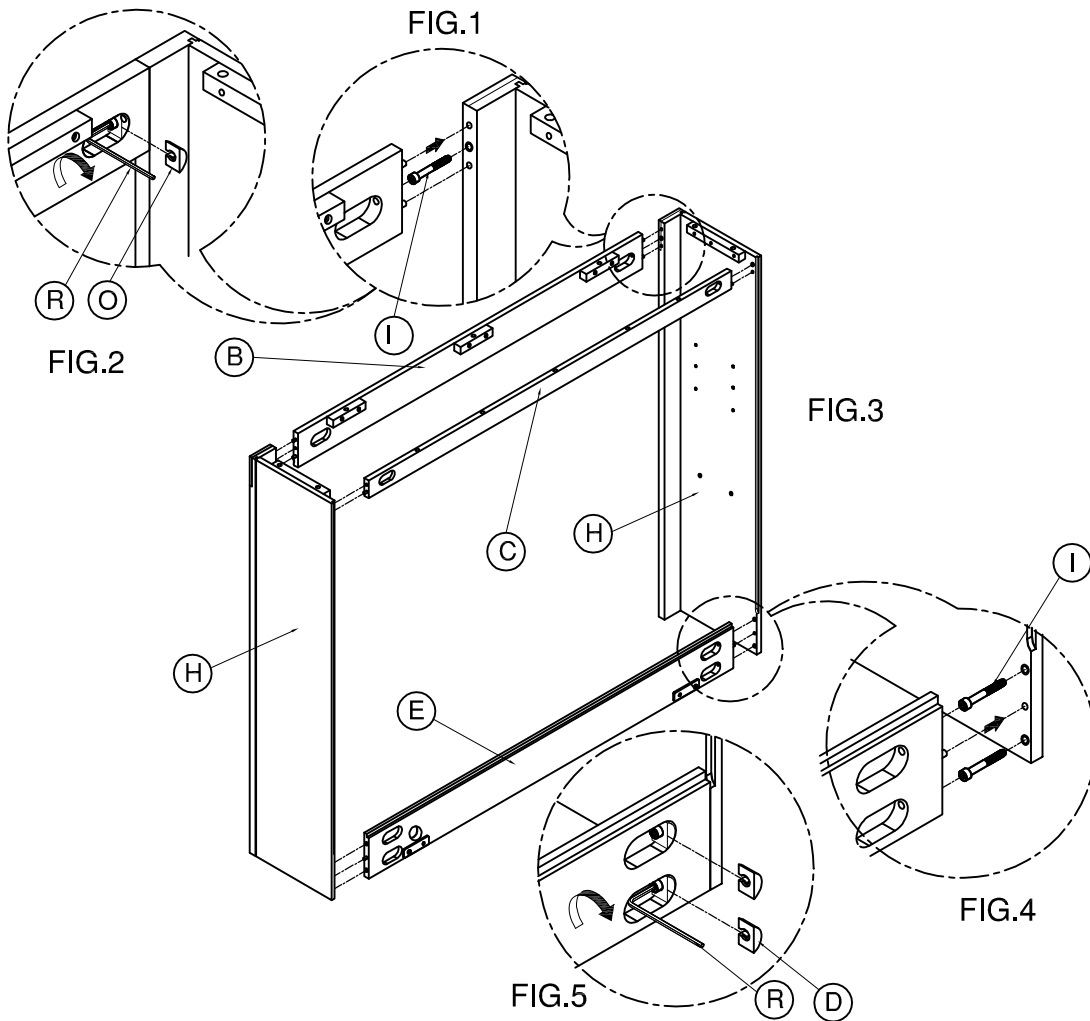
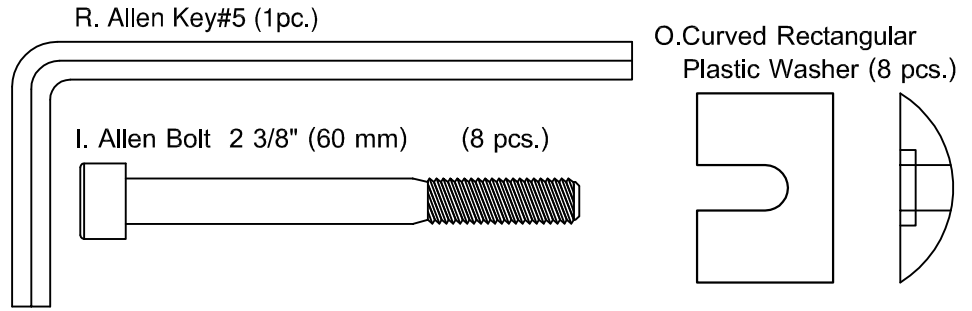


Make sure the bolts are tightly locked against the washers during assembly.
(Please add an extra 1/2 revolution to all the bolts when using spring washer after tightening)

STEP 1 " ASSEMBLY OF SIDE PANEL & FRAME "

THIS STEP REQUIRES :

- B.FRONT FRAME UPPER (1 pc.)
- C.BACK FRAME UPPER (1 pc.)
- E.BACK FRAME LOWER (1 pc.)
- H.SIDE PANEL L-R (2 pcs.)

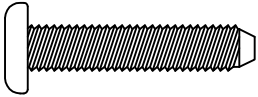


- A. Using the Allen Key (R) Screw the Allen Bolts (I) into the left and right side panels as shown in figure 1.
- B. Align the Allen bolts into the holes of the front and back upper frame (B & C) as shown in figure 1.
- C. Insert the Curved Rectangular plastic washers (O) into holes of the front and back upper frame (B&C) and over the Allen bolts (I) as shown in figure 2.
- D. Using the Allen Key (R) tighten the Allen Bolts(I) as shown in figure 2.
- E. Using the Allen Key(R) Screw the Allen bolts (I) into the bottom of the left and right side panels as shown in figure 4.
- F. Align the Allen bolts into the hole of the back lower frame (E) as shown in figure 4.
- G. Insert the Curved Rectangular plastic washers (O) into holes of the back lower frame (E) and over the Allen bolts (I) as shown in figure 5.
- H. Using the Allen Key (R) tighten the Allen Bolts(I) as shown in figure 5.

STEP 2 " ASSEMBLY OF FIX SHELF "

THIS STEP REQUIRES :

F. FIX SHELF (1pc.)
K. Allen Bolt 1 1/4" (30 mm) (4 pcs.)



P. Spring Washer (4 pcs.)



Q. Allen Key#4 (1pc.)

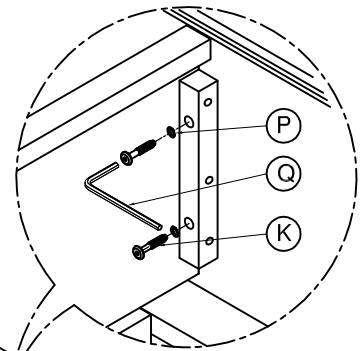
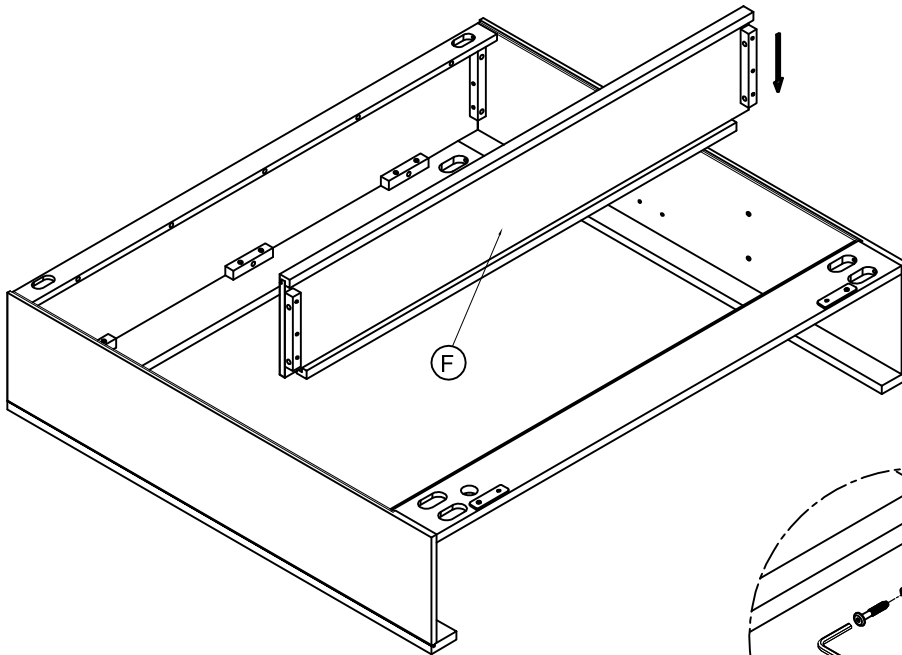
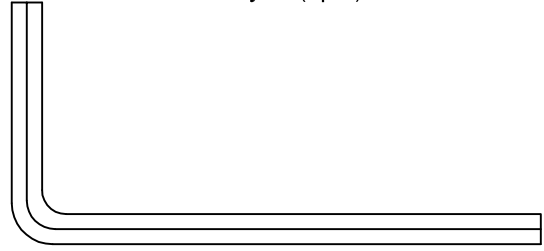
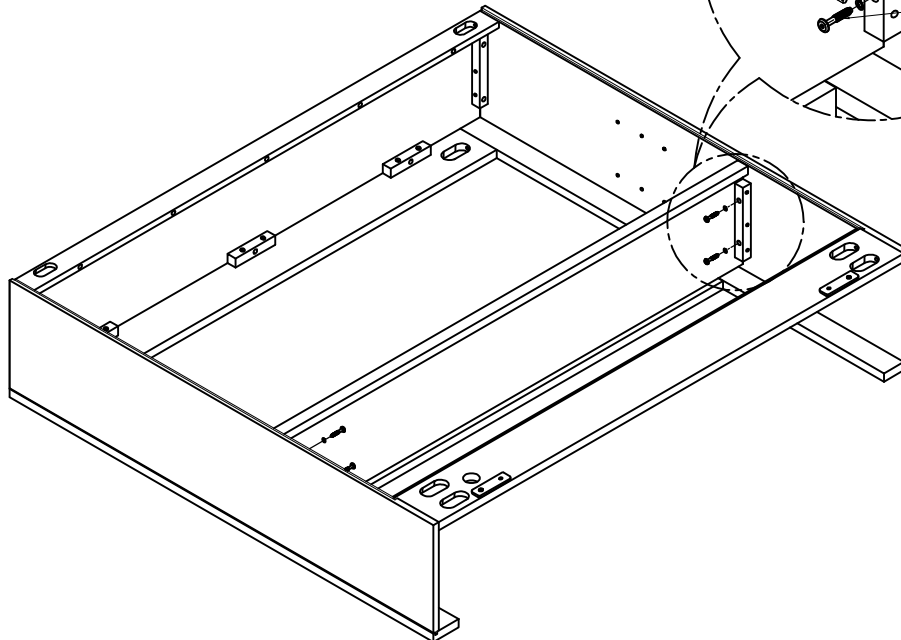


FIG.6



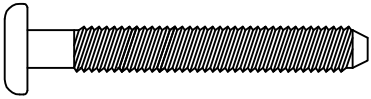
A. Attach the stationary shelf to the side panels using 4 Allen bolts (K). Insert the 4 Allen bolts (K) and 4 spring washers (P) first through inside edge of the stationary shelf, then through the threaded inserts in the side panels as shown in figure 6. Tighten with Allen Key (Q).

STEP 3 " ASSEMBLY OF TOP "

THIS STEP REQUIRES :

A. TOP (1 pc.) P. Spring Washer (12 pcs.) Q. Allen Key#4 (1 pc.)

J. Allen Bolt 1 3/4" (45 mm) (5 pcs.)



K. Allen Bolt 1 1/4" (30 mm) (7 pcs.)

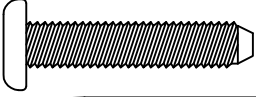


FIG.7

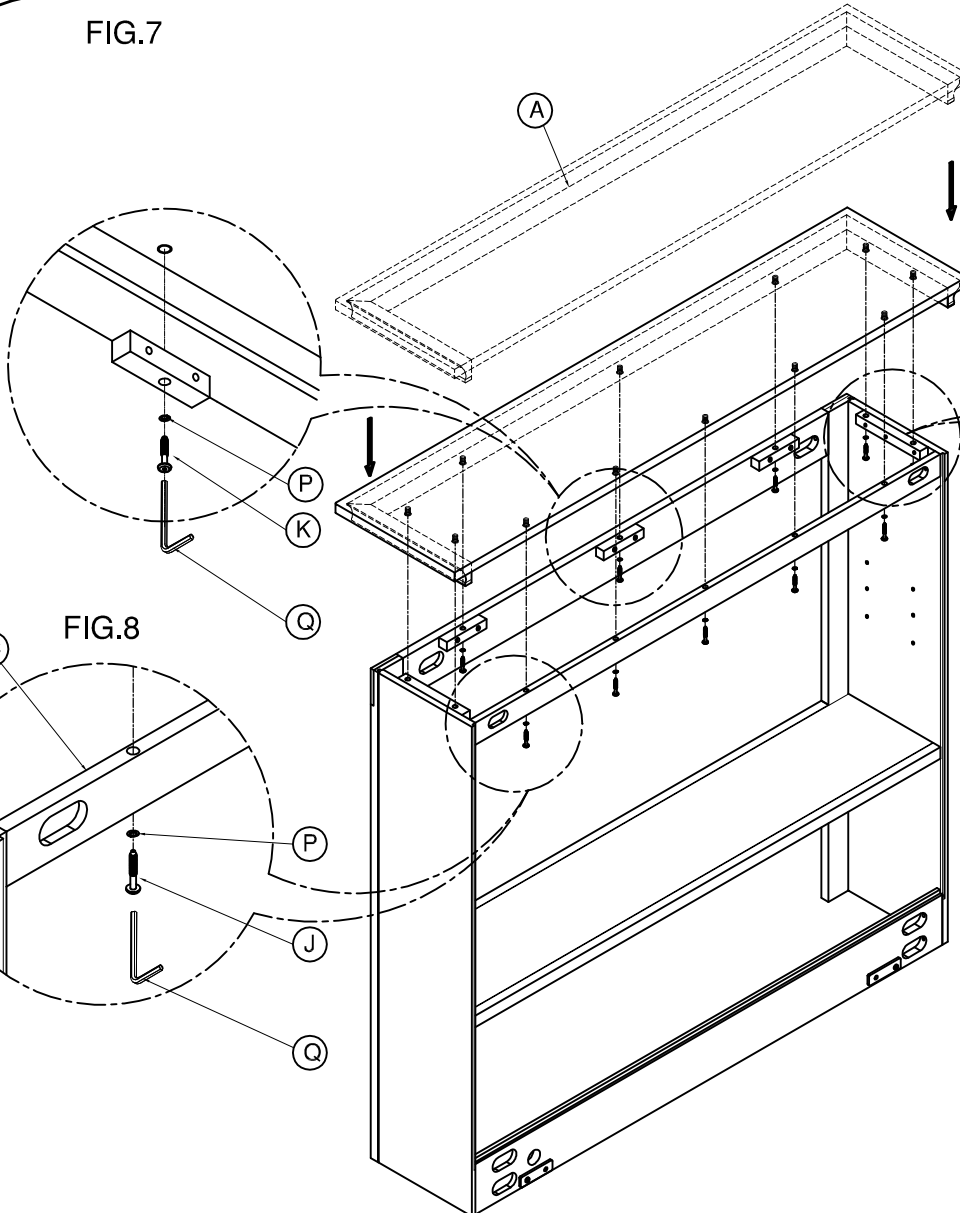
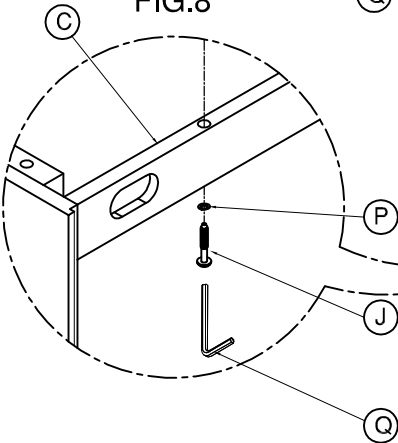


FIG.8



A. First place the Top into its appropriate position on the sides and front panel assembly as shown in figure 7.

B. Insert the 7 (seven) Allen Bolts (K) and washers (P) first through the holes in the blocks on the inside edge of the Top (A) then into the threaded inserts in the panels as shown in figure 7. Tighten all bolts with the Allen key (Q).

C. Insert the 5 (five) allen bolt (J) and washer (P) first through the holes in the back frame upper (C) as shown in figure 8. Tighten all bolts with the Allen key (Q).

STEP 4 " ASSEMBLY OF BACK PANEL "

THIS STEP REQUIRES :

- G. BACK PANEL (2 pcs.)
- L. Wood Screw 5/8" (15 mm) (38 pcs.)

Philip Head Screw driver (unsupplied)

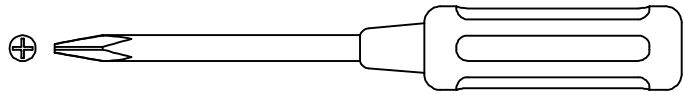
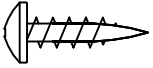
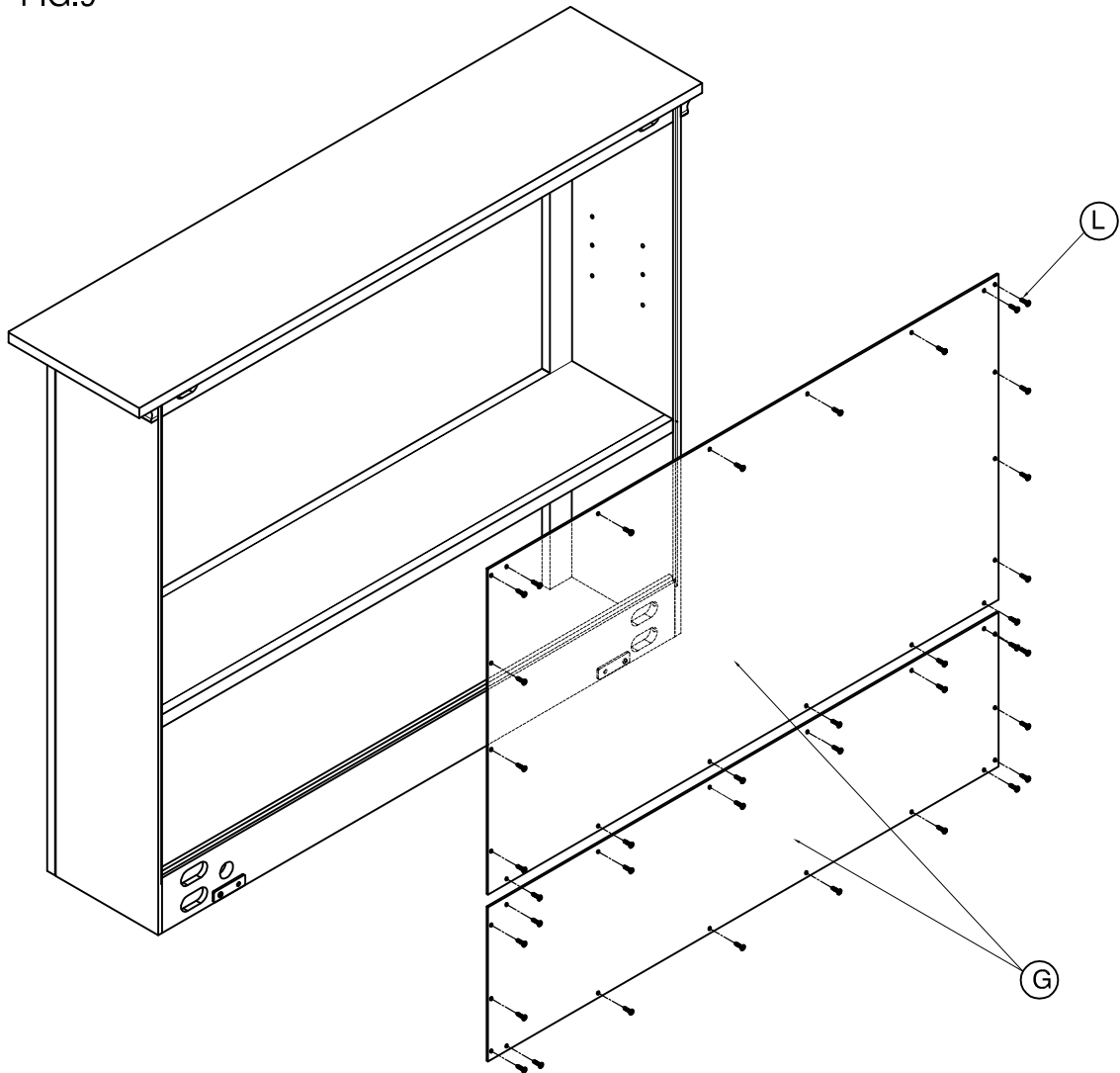


FIG.9



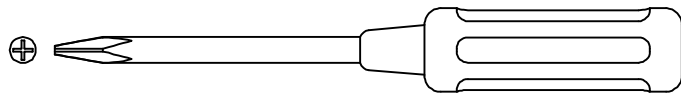
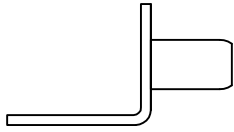
- A. Using a Phillips head screw driver, attach the Back Panel (G) to the back of the Hutch using the 38 wood screws (L) as shown in figure 9.

STEP 5 " ASSEMBLY OF ADJUSTABLE SHELF "

THIS STEP REQUIRES :

- D. SHELF (1 pc.)
- N. ADJUST SHELF (4 pcs.)

Philip Head Screw driver (unsupplied)



M. Wood Screw 1/2" (12 mm) (4 pcs.)

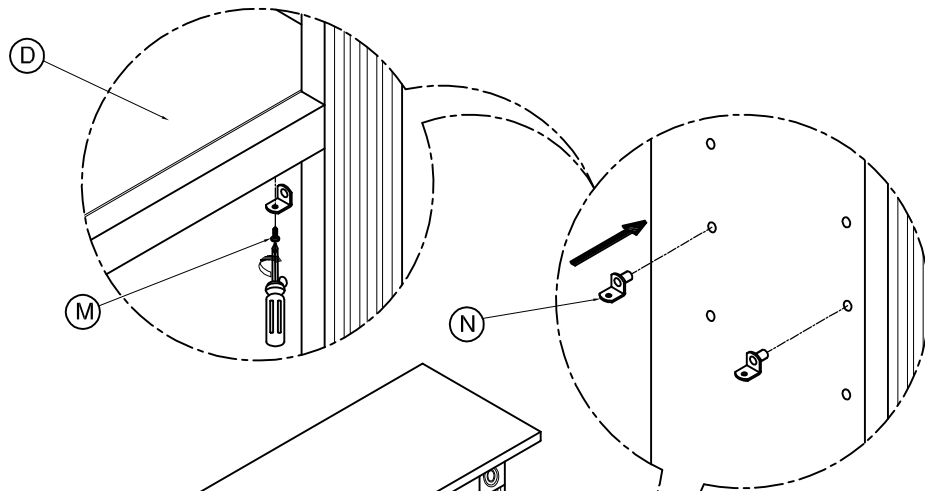
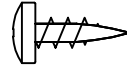
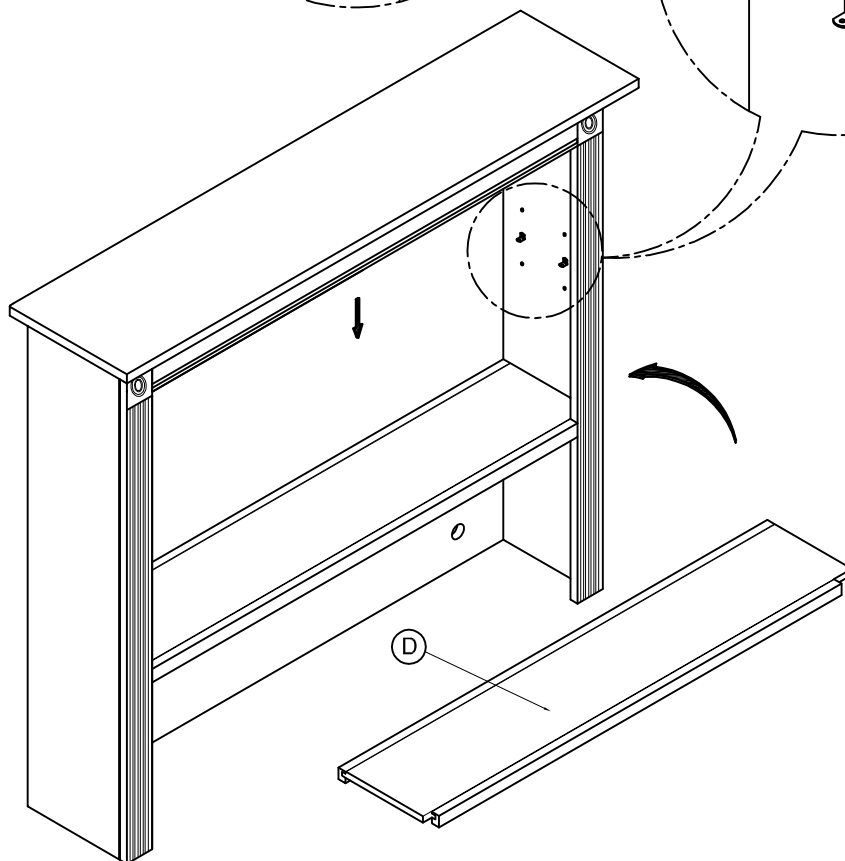


FIG.10



- A. Choose a desired shelf height position and insert the shelf pegs as shown in Figure 10.
- B. Put the adjustable shelf(D) onto the shelf pegs.
- C. Using a Phillip head screw driver, secure the adjustable shelf using wood screws (M).