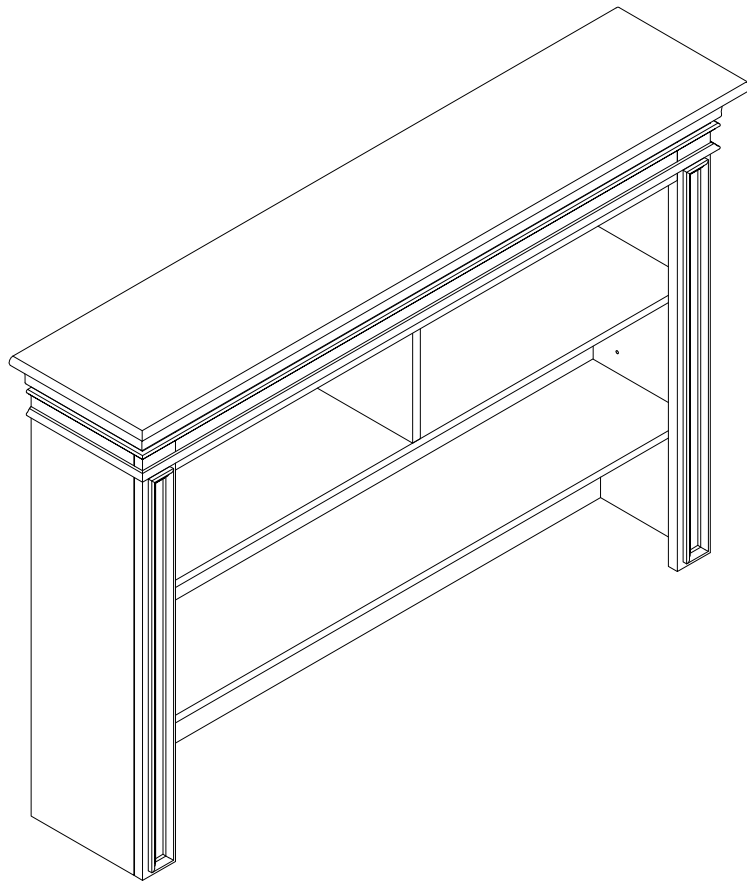


**ASSEMBLY INSTRUCTIONS**  
**for HUTCH**  
**VIENNA**  
**Model # 2318**



**"THE PRODUCT IMAGES SHOWN ARE FOR ILLUSTRATION PURPOSES ONLY AND MAY NOT BE AN EXACT REPRESENTATION OF THE PRODUCT."**

Carefully remove and lay out all parts. Familiarize yourself with all exhibits and diagrams to facilitate the assembly of your Hutch

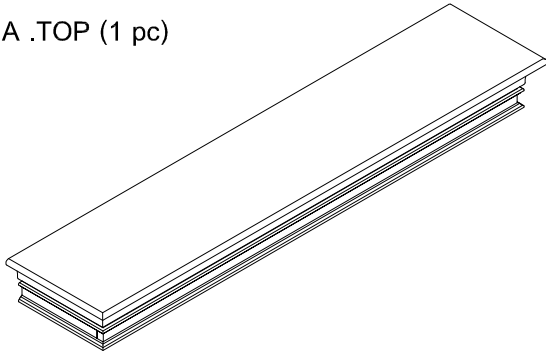
**TOOLS REQUIRED :**

**Allenkey (supplied)**

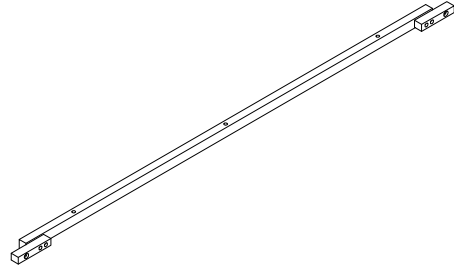
**Philip Head Screw driver (unsupplied)**

**PART ENCLOSED IN CARTON**

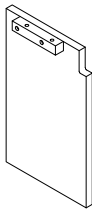
A .TOP (1 pc)



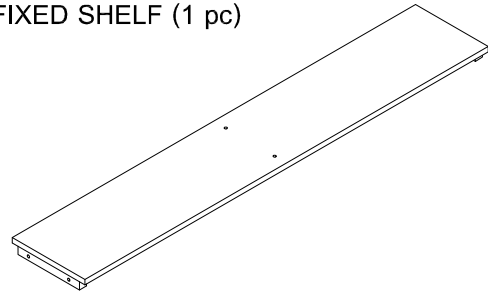
B.FRONT FRAME UPPER (1 pc)



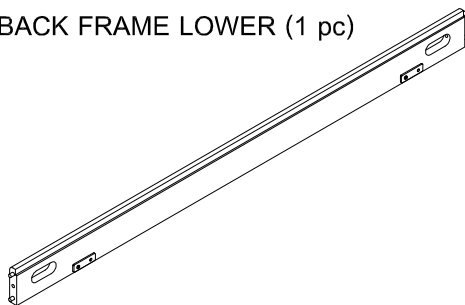
C.VERTICAL PANEL (1 pc)



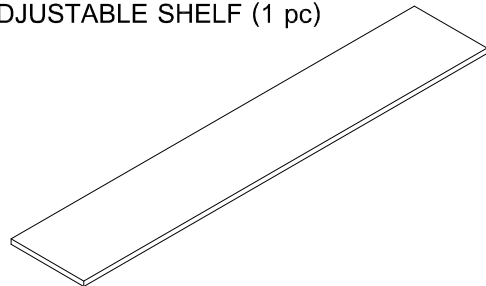
D.FIXED SHELF (1 pc)



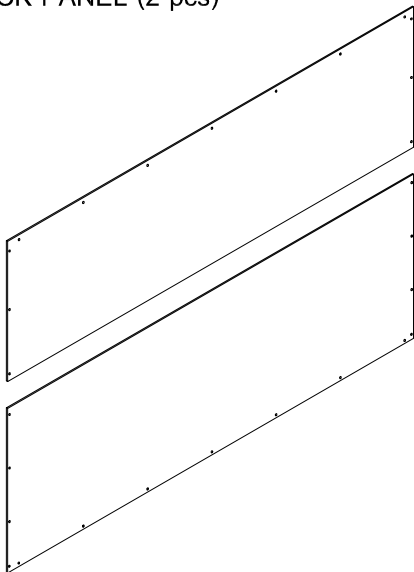
E.BACK FRAME LOWER (1 pc)



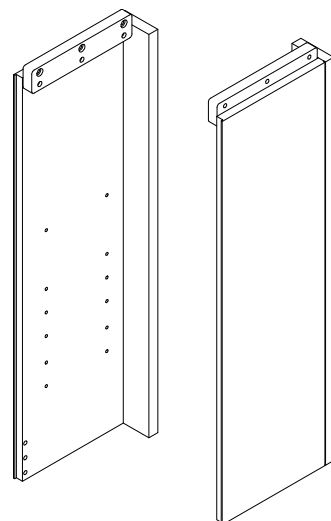
F. ADJUSTABLE SHELF (1 pc)



G.BACK PANEL (2 pcs)

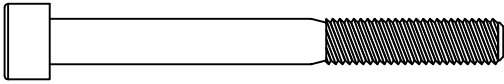


H.SIDE PANEL L-R (2 pcs)

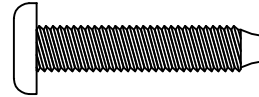


## HARDWARE

K. Allen Bolt 2 3/8" (60 mm) (2 pcs)



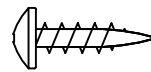
L. Allen Bolt 1 1/4" (30 mm) (17 pcs)



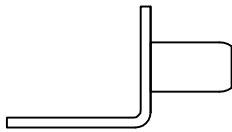
M. Allen Bolt 1" (25 mm) (2 pcs)



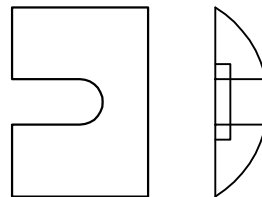
N. Wood Screw 5/8" (15 mm) (39 pcs)



P. ADJUST SHELF (4 pcs)



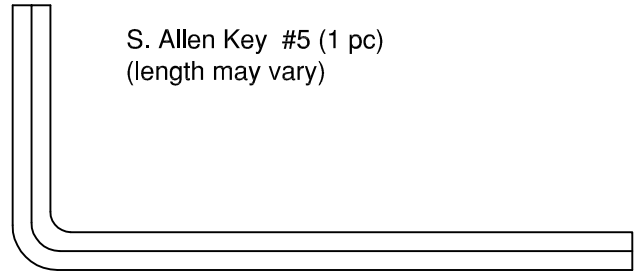
Q. Curved Rectangular Plastic Washer (2 pcs)



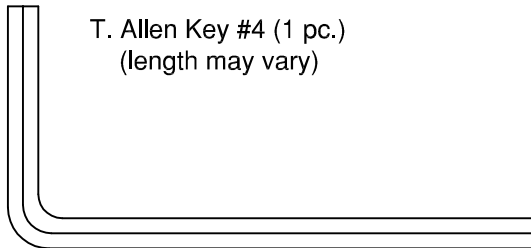
R. Spring Washer (19 pcs)



S. Allen Key #5 (1 pc.)  
(length may vary)



T. Allen Key #4 (1 pc.)  
(length may vary)

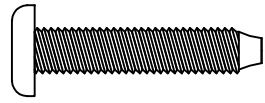


Make sure the bolts are tightly locked against the washers during assembly.  
(Please add an extra 1/2 revolution to all the bolts when using spring washer after tightening)

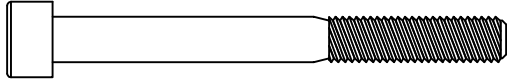
# STEP 1 " ASSEMBLY OF SIDE PANEL & FRAME "

## THIS STEP REQUIRES :

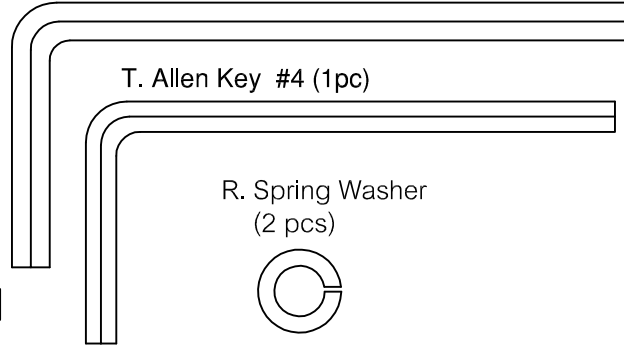
- B.FRONT FRAME UPPER (1 pc)
- E.BACK FRAME LOWER (1 pc)
- H.SIDE PANEL L-R (2 pcs)
- L. Allen Bolt 1 1/4" (30 mm) (2 pcs)



- K. Allen Bolt 2 3/8" (60 mm) (2 pcs)



- S. Allen Key #5 (1pc)

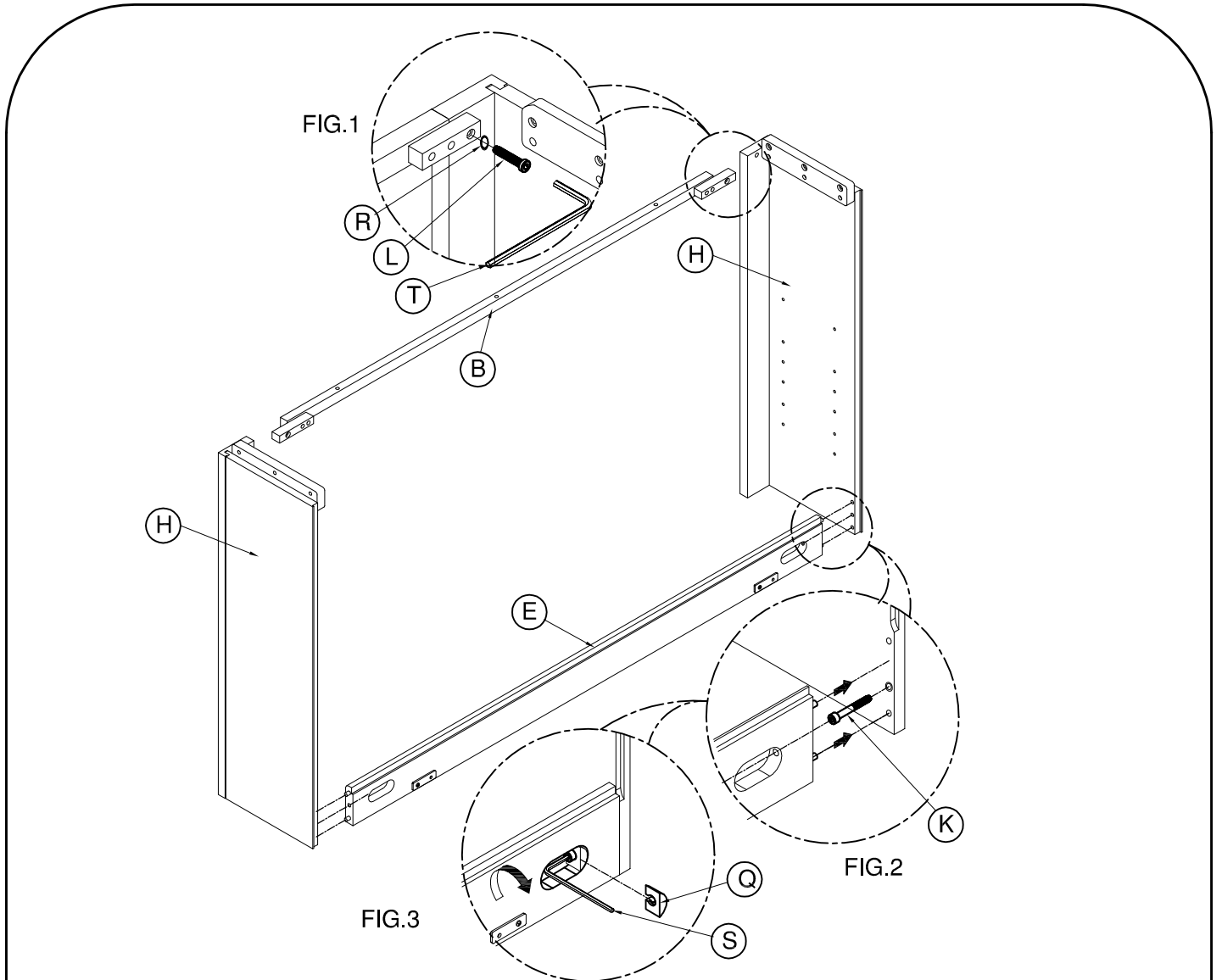
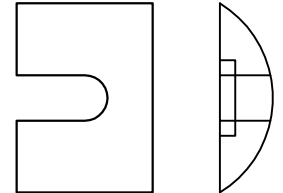


- T. Allen Key #4 (1pc)

- R. Spring Washer (2 pcs)



- Q.Curved Rectangular Plastic Washer (2 pcs)



- A. Attach front frame upper (B) to side panel L-R (H), by inserting allen bolt 1 1/4" (30 mm) [L] and spring washer (R) through the holes in the blocks then into the threaded insert in the side panel L-R (H) , as shown in figure 1.
- B.Using the Allen Key #4 (T) tighten the Allen Bolts (L) as shown in figure 1.
- C.Insert the Curved Rectangular plastic washers (Q) into holes of the back frame lower (E) and over the Allen bolts (K) as shown in figure 2.
- D.Using the Allen Key #5 (S) tighten the Allen Bolts (K) as shown in figure 3.

## STEP 2 " ASSEMBLY OF FIXED SHELF "

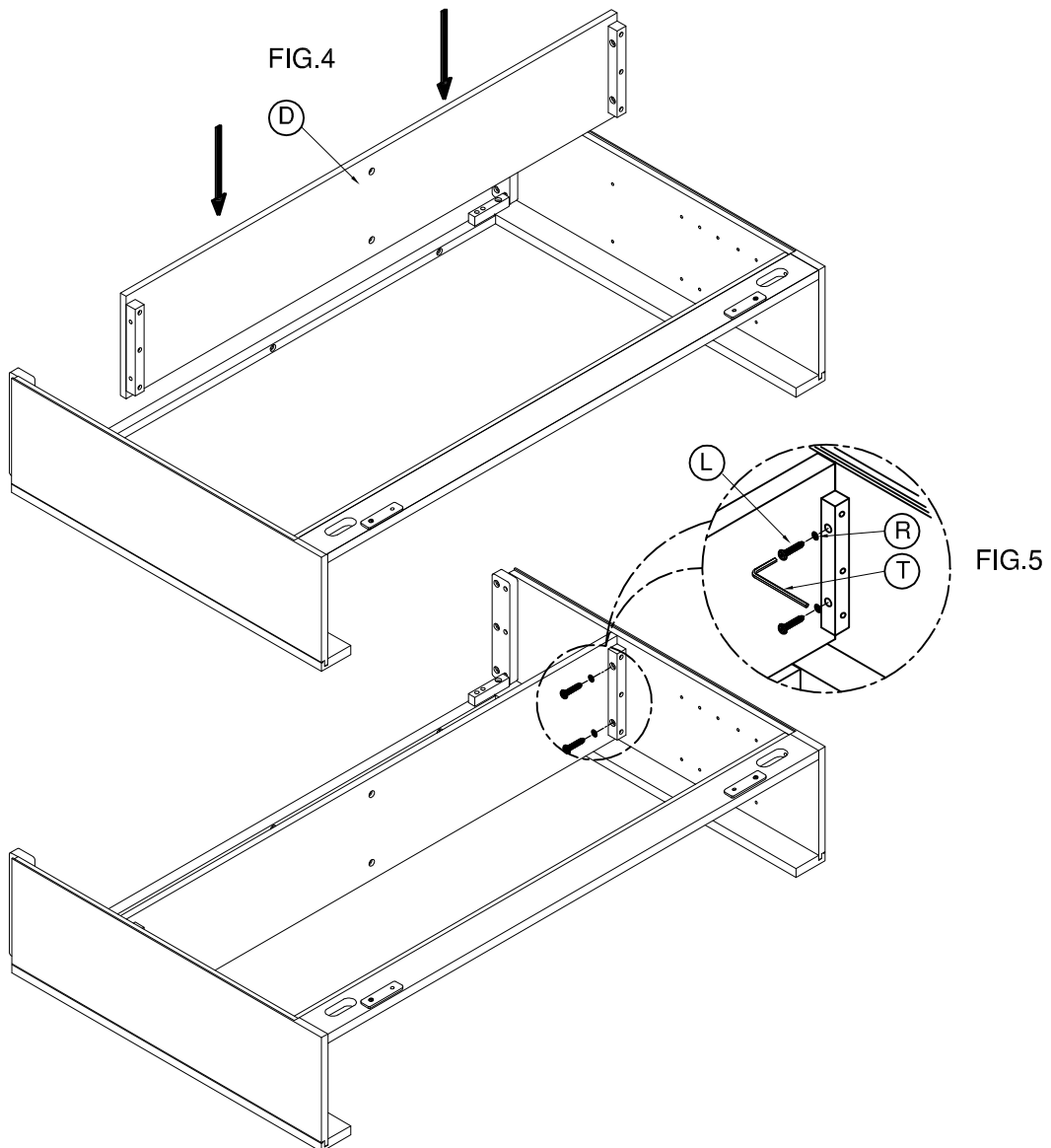
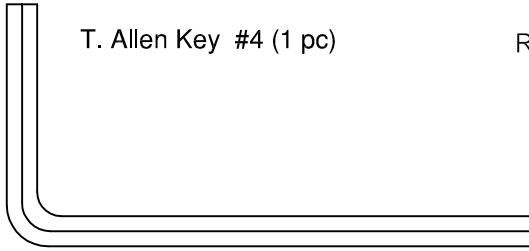
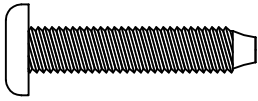
### THIS STEP REQUIRES :

D. FIXED SHELF (1pc)

L. Allen Bolt 1 1/4" (30 mm) (4 pcs)

T. Allen Key #4 (1 pc)

R. Spring Washer (4 pcs)

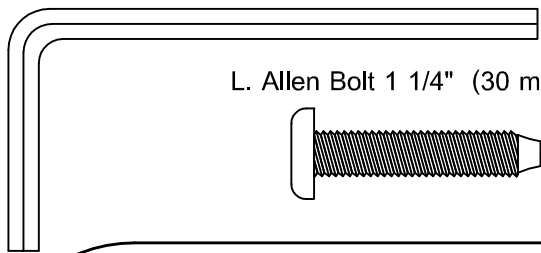


Place the stationary shelf into its appropriate position as shown in FIG.4. Insert the 4 Allen bolts 1 1/4" (30 mm) (L) and 4 spring washers (R) first through inside edge of the stationary shelf, then through the threaded inserts in the side panels as shown in figure 5. Tighten with Allen Key #4 (T).

## STEP 3 " ASSEMBLY OF TOP "

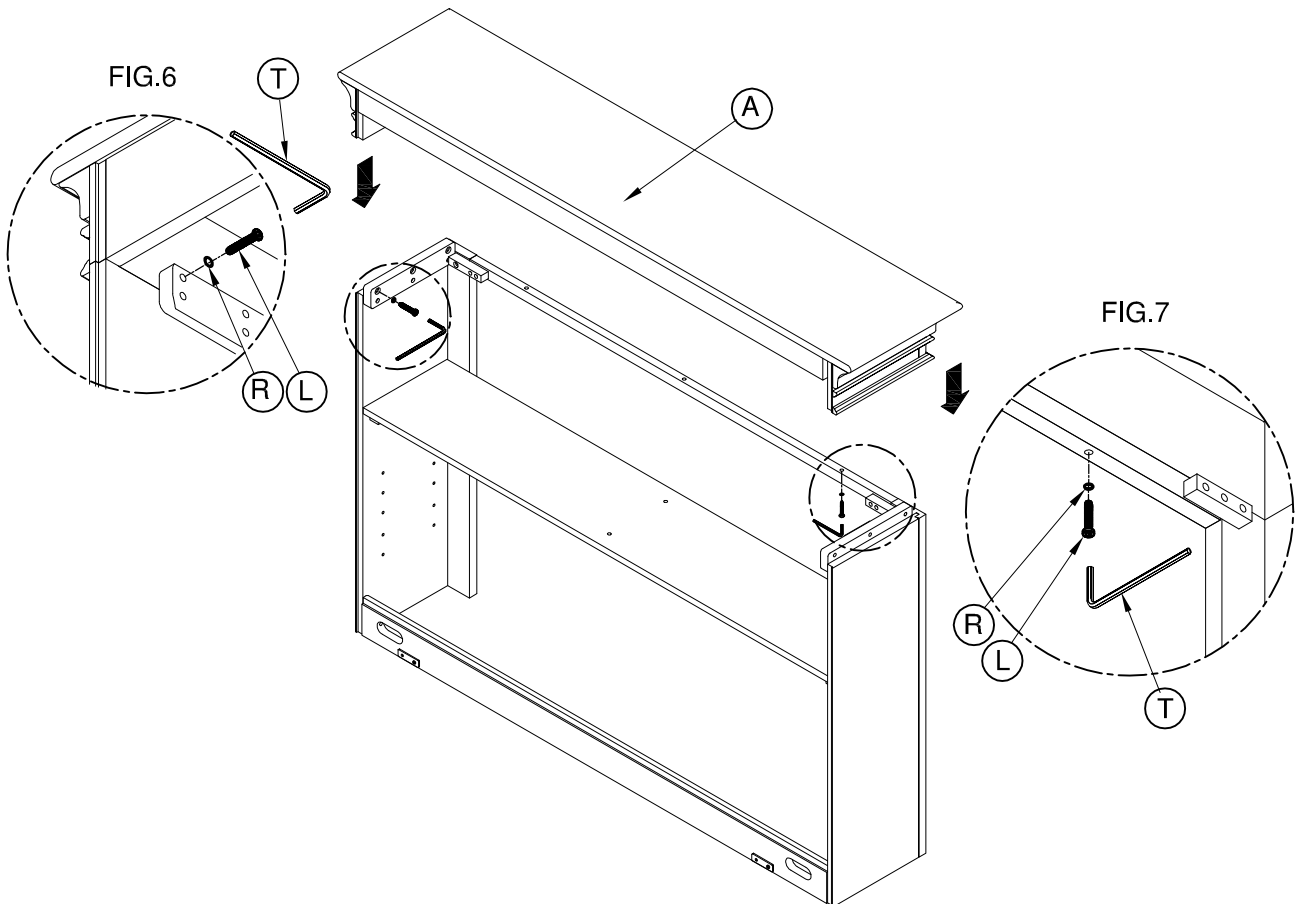
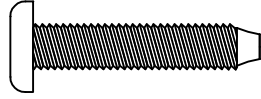
### THIS STEP REQUIRES :

- A.TOP (1 pc)
- T. Allen Key #4 (1 pc)



L. Allen Bolt 1 1/4" (30 mm) (9 pcs)

R. Spring Washer (9 pcs)



A. First place the Top into its appropriate position

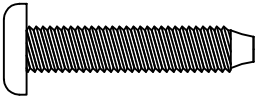
B. Insert the 6 (six) Allen Bolts 1 1/4" (30 mm)(L) and washers (R) first through the holes in the blocks then into the threaded inserts in the top as shown in figure 6. Tighten all bolts with the Allen key #4 (T).

C. Insert the 3 (three) allen bolt 1 1/4" (30 mm) (L) and washer (R) first through the holes in the front frame upper then into the threaded inserts in top as shown in figure 7. Tighten all bolts with the Allen key #4 (T).

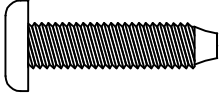
## STEP 4 " ASSEMBLY OF VERTICAL PANEL "

### THIS STEP REQUIRES :

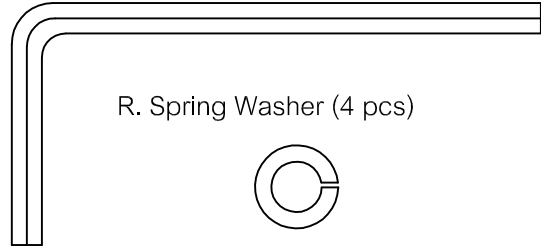
C. VERTICAL PANEL (1pc)  
L. Allen Bolt 1 1/4" (30 mm) (2 pcs)



M. Allen Bolt 1" (25 mm) (2 pcs)



T. Allen Key #4 (1 pc)



R. Spring Washer (4 pcs)

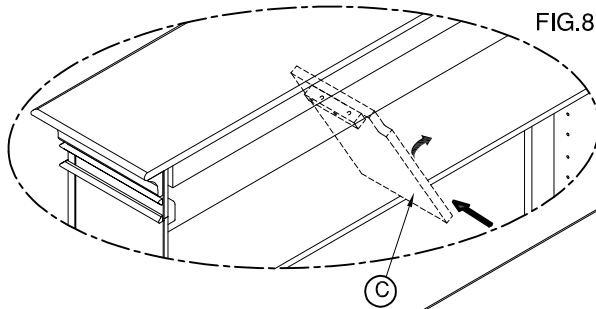


FIG.8

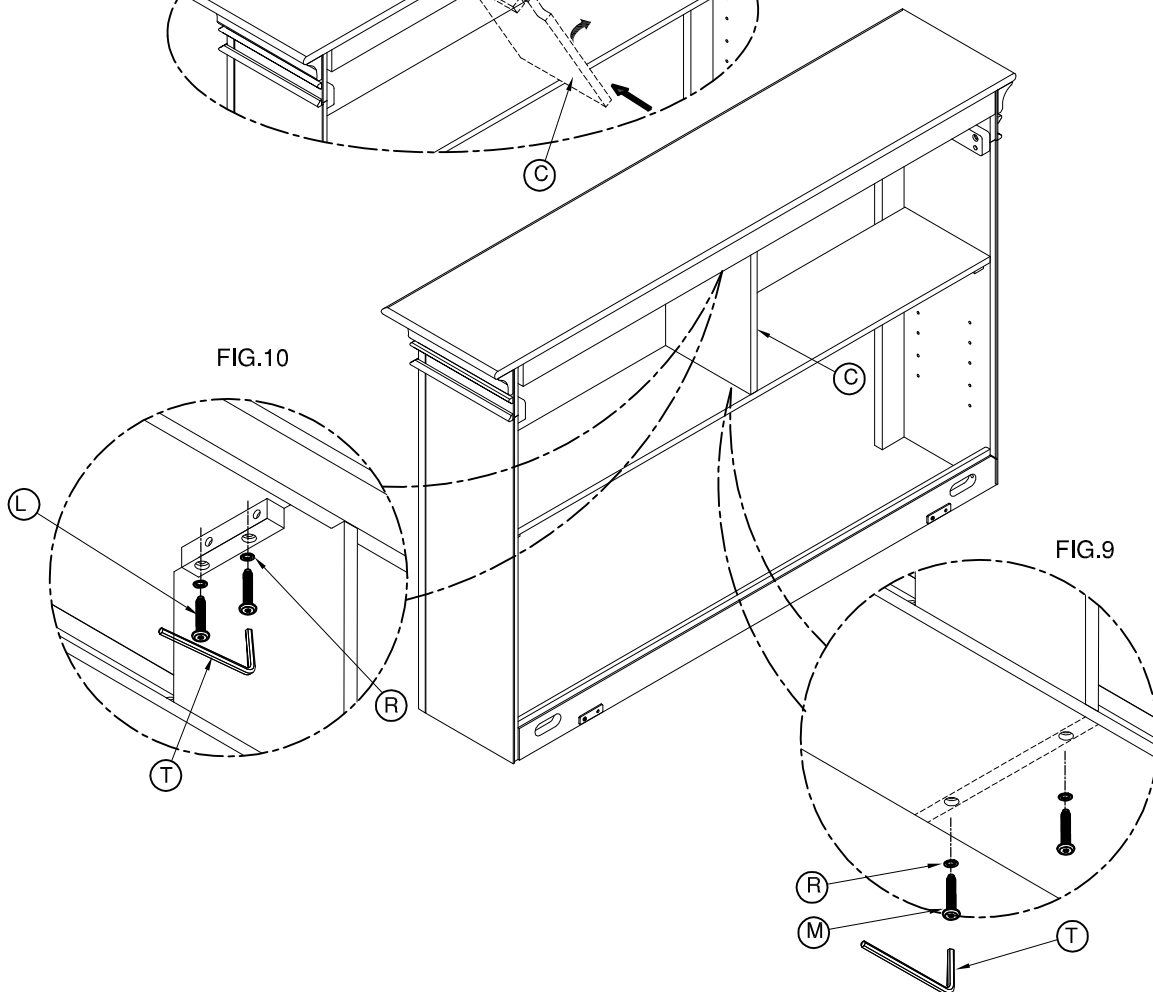


FIG.10

FIG.9

- Place the vertical panel into its appropriate position on the Fixed shelf as shown in figure 8.
- Insert the 2 Allen bolts 1" (25 mm) (M) and 2 spring washers (R) first through the threaded inserts in the stationary shelf, then through the vertical panel as shown in figure 9. Tighten with Allen Key #4 (T).
- Insert the 2 Allen bolts 1 1/4" (30 mm) (L) and 2 spring washers (R) first through the holes in the block then into the threaded insert in the top as shown in figure 10. Tighten with Allen Key #4 (T).

## STEP 5 " ASSEMBLY OF ADJUSTABLE SHELF "

### THIS STEP REQUIRES :

F. ADJUSTABLE SHELF (1 pc)

N. Wood Screw 5/8" (15 mm) (4 pcs)

Philip Head Screw driver (unsupplied)

P. Adjust shelf (4 pcs)

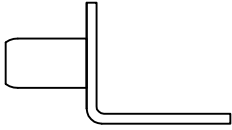
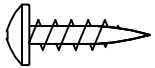
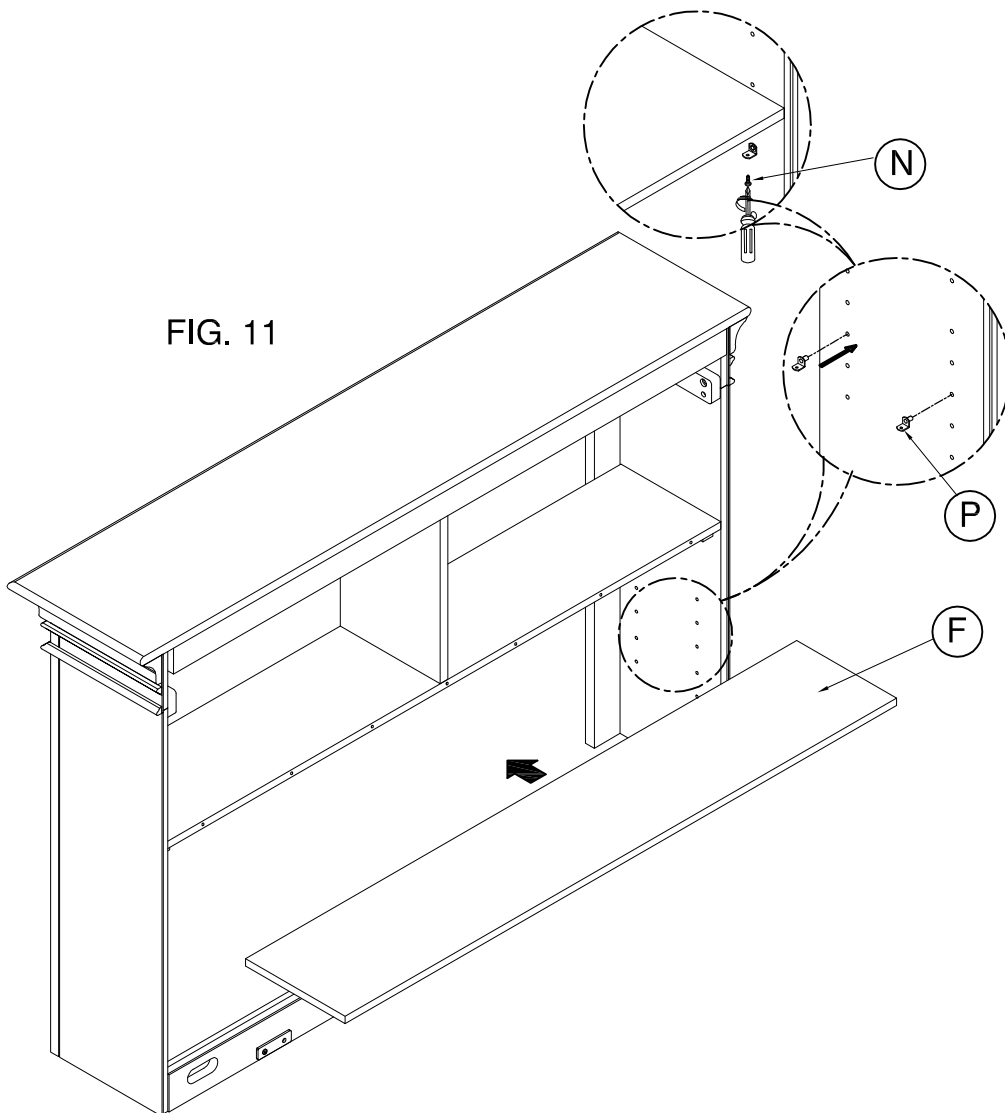


FIG. 11



- A. Choose a desired shelf height position and insert the shelf pegs as shown in Figure 11.
- B. Put the adjustable shelf (F) onto the shelf pegs.
- C. Using a Phillips head screw driver, secure the adjustable shelf using wood screws (N).



## STEP 6 " ASSEMBLY OF BACK PANEL "

### THIS STEP REQUIRES :

G. BACK PANEL (2 pcs)  
N. Wood Screw 5/8" (15 mm) (35 pcs)

Philip Head Screw driver (unsupplied)

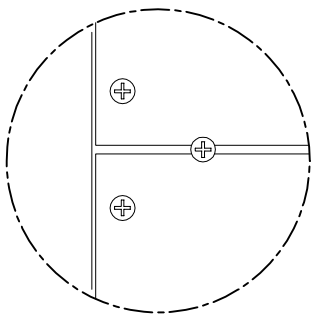
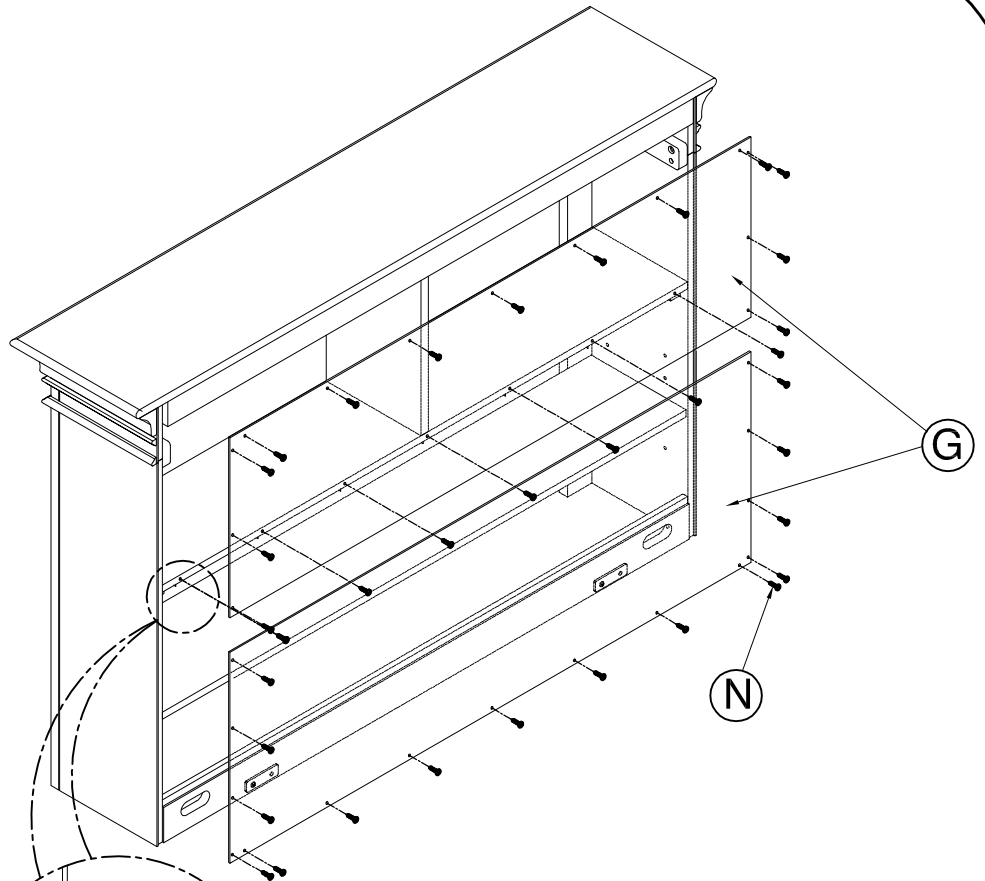
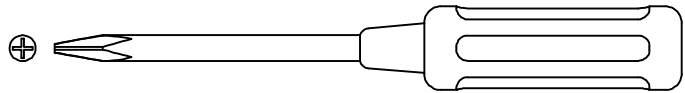
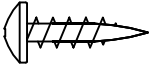


FIG.12 B

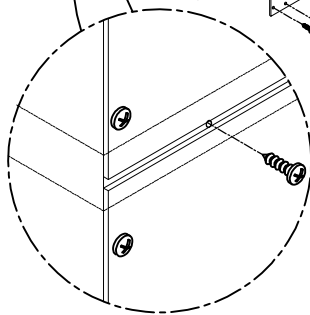


FIG.12 A

- A. Using a Phillips head screw driver, attach the Back Panel (G) to the back of the Hutch using the 35 wood screws (N) as shown in FIG.12 A.
- B. Make sure the screws are attached in between top and bottom panel in to the predrilled holes provided ( on the back of the shelf ). Please see FIG.12 A and Fig.12 B.